

Ordering Information

Catalog No.	Finish	Track Mountings	Lamps
FXT4F	Silver	For use on all Tangent Track systems. May be horizontal or vertical wall mounted.	12V T4 2-pin (clear only) GY6.35 Base Transverse filament recommended 50W Max

Features

- Transformer:** Class two electronic transformer for 12V halogen lamps.
- Track Attachment fitting:** Molded thermoplastic clamping adapter with captive, nickel-plated steel pin. Clockwise rotation of pin secures fixture adapter to track.
- Horizontal Pivot:** Wireless stem profile with infinite horizontal rotation.
- Vertical Pivot:** 0° to 90° vertical adjustment.
- Socket:** Bi-pin ceramic low voltage halogen socket with multipoint contact.
- Housing:** Die cast aluminum.
- Softening Lens:** Low-iron sodalime glass lens with Solite stippled pattern. Diffuses striations and shadows from lamp while allowing 92% light transmission.

Dimming

Use only dimmers specifically designed for use with electronic transformers. Low Voltage fixtures may produce audible sound when dimmed.

Finish

All Painted finishes are baked enamel.

Accessories

No accessory capability.

Labels

cULus Listed

Job Information

Type:

Job Name:

Cat. No.:

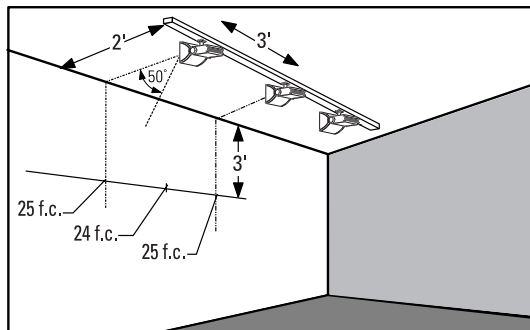
Lamp(s):

Notes:

Lightolier a Genlyte company www.lightolier.com
 631 Airport Road, Fall River, MA 02720 • (508) 679-8131 • Fax (508) 674-4710
 We reserve the right to change details of design, materials and finish.
 © 2007 Genlyte Group LLC • A0207

Lighting Data

Footcandles on wall:



Lamp Information:
 50W 12V T4
 Lumens: 950
 Rated Avg. life: 2,000 hrs.

EXAMPLE: With track located 2' from wall and multiple units spaced 3' on center and aimed 50° from horizontal, the illumination on wall 3' from ceiling will be 25 f.c. beneath units and 24 f.c. between units.

Footcandles on Wall

		Track 2 Feet From Wall					Single Unit			Multiple Units										
		0' 1' 2' 3' 4'					← 2' →			← 3' →			← 4' →							
		Beam Center																		
Distance From Ceiling	1'						51	36	7	1	1	71	78	70	58	45	58	56	15	56
	2'						45	30	12	2	1	72	67	71	52	44	52	49	24	49
	3'						19	15	9	3	1	38	35	37	25	24	25	20	18	20
	4'						8	7	5	3	1	20	18	19	13	13	13	10	10	10
	5'						4	4	3	2	1	12	11	11	8	8	8	6	6	6
	6'						2	2	2	2	1	8	8	7	6	5	6	4	4	4
	7'						1	1	1	1	1	5	5	5	4	4	4	3	3	3
	8'						1	1	1	1	1	4	4	3	3	3	3	2	2	2

		Track 3 Feet From Wall					Single Unit			Multiple Units										
		0' 1' 2' 3' 4'					← 3' →			← 4' →			← 5' →							
		Beam Center																		
Distance From Ceiling	1'						23	21	11	3	1	28	33	28	24	23	24	23	14	23
	2'						23	17	11	4	1	31	31	31	25	22	25	23	16	23
	3'						20	16	11	5	2	32	30	32	24	23	24	22	17	22
	4'						12	10	8	5	2	22	21	23	17	16	17	14	13	14
	5'						6	5	4	3	2	13	13	14	10	10	10	8	8	8
	6'						3	3	3	2	2	9	8	9	7	6	7	5	5	5
	7'						2	2	2	2	1	6	6	6	5	5	5	4	4	4
	8'						1	1	1	1	1	4	5	4	4	4	4	3	3	3

Job Information	Type:
------------------------	--------------

Lightolier a Genlyte company www.lightolier.com
 631 Airport Road, Fall River, MA 02720 • (508) 679-8131 • Fax (508) 674-4710
 We reserve the right to change details of design, materials and finish.
 © 2007 Genlyte Group LLC • A0207