

FRX Series **FRS2GFW2FT**

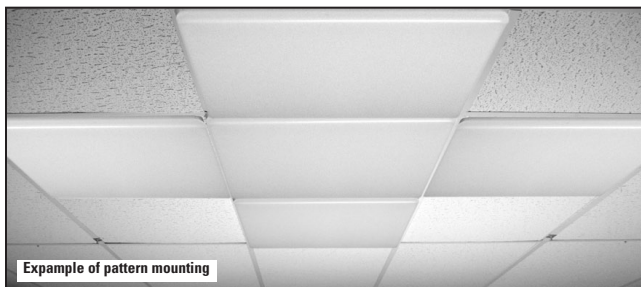
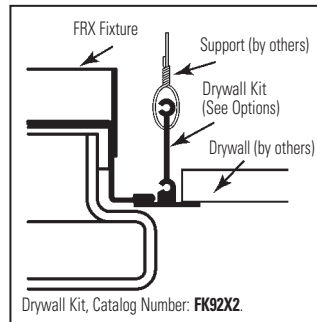
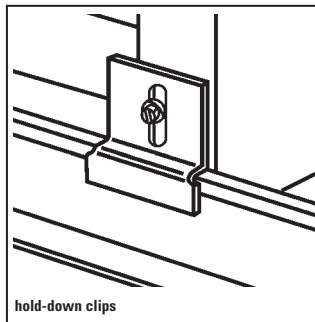
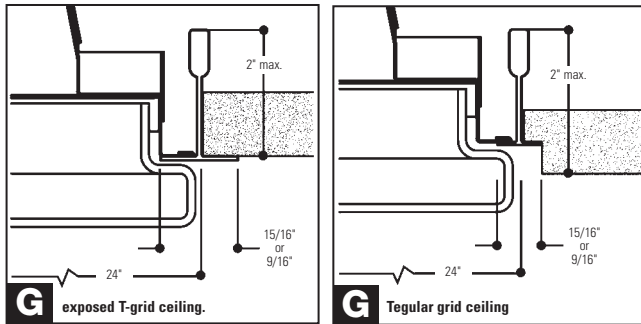
Architectural Recessed Fluorescent 2' x 2' with Frost White Acrylic Lens, 2 Lamp TT5

Features

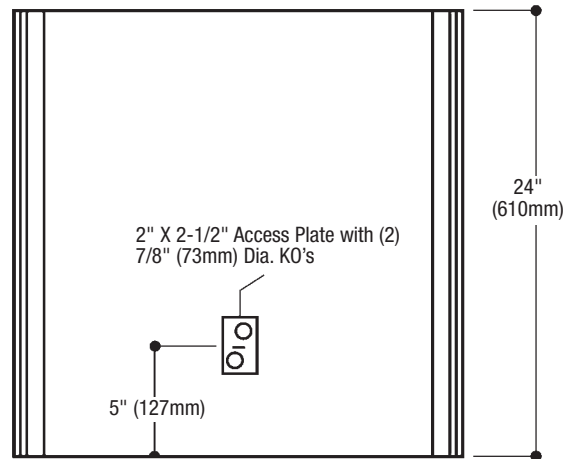
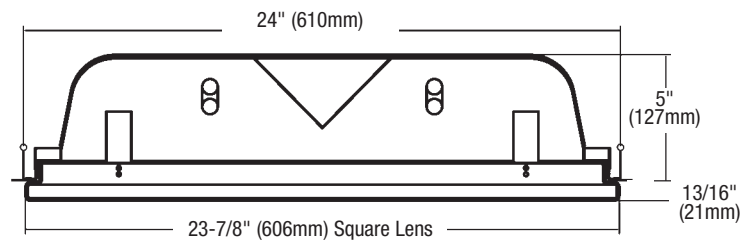
- Ideal for boardrooms, entrances and other spaces seeking a clean architectural look.
- Frost White DR acrylic lens.
- Can be mounted in patterns, end to end or side to side.
- Blends in with regular flat-edge and aesthetic recessed-edge ceiling tiles.
- 63.5% efficient (2 Lamp 40 watt TT5)
- 5" deep body.
- One piece housing.
- Black exterior for cooler ballast operating temperature.
- Built-in earthquake clips.
- Spring loaded latches/hinge.
- Lens encloses lamp compartment.
- Lens opens from either side.
- Ballast accessible from room side.
- Wiring access plate standard.
- Construction to meet NYC Code or Chicago Plenum available.



Mounting Methods



Dimensions



Job Information Type:

Job Name:

Cat. No.:

Lamp(s):

Volts/Ballast:

Model No. FRS2GFW2FTUNVIB (40 watt lamp)

LER = FP - 55.5 IW - 69.5 BF - 0.92
Comparative yearly lighting energy cost per
1000 lumens = \$4.26

Report Number: G2008272
Catalog Number: FRS2GFW2FTUNVIB
Lamps: (2) PL-L40/835/RS/IS
Luminaire: FRX Architectural Recessed
2' x 2' fixture with acrylic lens.
Ballast: ICN-2TTP40-SC
Report is based on 3300 Lumens per lamp.
Efficiency: 63.5%
CIE Type-Direct-Indirect
Plane: 0-Deg 90-Deg
Spacing Criteria: 1.2 1.2
Shielding Angles: 90 90
Plane: 0-Deg 90-Deg
Luminous Length: 21.600 21.600

CANDELA DISTRIBUTION

	0.0	45.0	90.0	FLUX
0	1512	1512	1512	
5	1500	1499	1500	143
15	1434	1432	1433	405
25	1322	1318	1318	608
35	1169	1162	1159	728
45	980	971	963	750
55	764	756	737	673
65	523	519	490	507
75	275	279	242	287
85	83	85	62	93
90	55	56	33	

COEFFICIENTS OF UTILIZATION – ZONAL CAVITY METHOD, EFFECTIVE FLOOR CAVITY REFLECTANCE 0.20

RC	80	50	30	10	50	30	10
RW 70	69	66	63	62	60	58	59
1	69	66	63	62	60	58	59
2	63	57	53	54	51	48	49
3	57	50	45	48	43	40	42
4	52	45	39	42	38	34	41
5	48	40	34	38	33	29	37
6	44	36	30	34	29	26	33
7	41	33	27	31	26	23	30
8	38	30	24	28	24	20	28
9	36	26	22	26	22	18	26
10	34	25	20	24	20	17	24

ZONAL LUMEN SUMMARY

ZONE	LUMENS	% LAMP	% FIXT
0- 30	1155	17.5	27.6
0- 40	1883	28.5	44.9
0- 60	3306	50.1	78.8
0- 90	4194	63.5	100.0
90-180	0	0.0	0.0
0-180	4194	63.5	100.0

LUMINANCE DATA IN CANDELA/SQ. METER

AVERAGE IN DEG.	AVERAGE 0-DEG.	AVERAGE 45-DEG.	AVERAGE 90-DEG.
45	4454.	4413.	4377.
55	4223.	4178.	4073.
65	3836.	3806.	3594.
75	3138.	3184.	2762.
85	2290.	2345.	1711.

Ordering Information

Explanation of Catalog Number. Example: FRS2GFW2FTUNVIB

FRX Architectural Recessed Fluorescent	S Body Style: S = Static	2 Fixture Width	G Ceiling Type: G = Standard Grid	F Lens: F = Frost White Acrylic Lens	W Reflector: White	2 Lamp Quantity 2=2 Lamp	FT Lamp: (By Others) FT = Twin Tube T5	Voltage: 120, 277 or UNV=120-277	Ballast Type: <20THD <10THD SB* IB* PR† BE – BF – PB –	Options: Add appropriate suffix to catalog no., ie: (A)
---	---------------------------------------	------------------------------	---	--	---------------------------------	--	--	--	--	--

FR Standard FRX	FY For NYC Code – I.B.E.W. Manufactured	FN For NYC Code – Local 3 Manufactured 5½" Deep Body
---------------------------	---	---

Options/Accessories

Fusing: Internal fast blow fusing: SUFFIX: **A**.
Internal slow blow fusing: SUFFIX: **C**.
Drywall Kit: Order Catalog Number: **FK92X2**.
Electrical Wiring Options: Consult factory.
For motion or light sensor: See Folio OA20-10 and OA20-30.

Specifications

Performance: In an installation of 2 lamp 40W luminaires in a room cavity ratio of 1, with reflectance 80% ceiling, 50% wall, 20% floor, the C.U. shall not be less than .66. To reduce glare the average brightness at 65° shall not exceed 3594 candelas per square meter. To control veiling reflections, luminaire output in the 30°-90° zone shall not be less than 72.4%.
Lamp Shield: Frost white DR acrylic lens.
Materials: Chassis parts are die-formed code gauge cold rolled steel. Housing is ribbed for rigidity with side rails hemmed over and housing ends turned-in for safe handling.
Finish: Chassis exterior—black baked polyester enamel. Cavity—white baked polyester

Specifications (continued)

enamel minimum 86% reflectance. Rust preventative undercoating. **Electrical:** Thermally protected class "P" ballast C.B.M. approved, non PCB. If K.O. is within 3" of ballast, use wire suitable for at least 90°. UL Listed for damp locations.
Labels: I.B.E.W./UL and ULc Listed.
This product may have a mercury containing lamp. Manage in accord with Disposal Laws.
See: www.lamprecycle.org

Job Information Type: