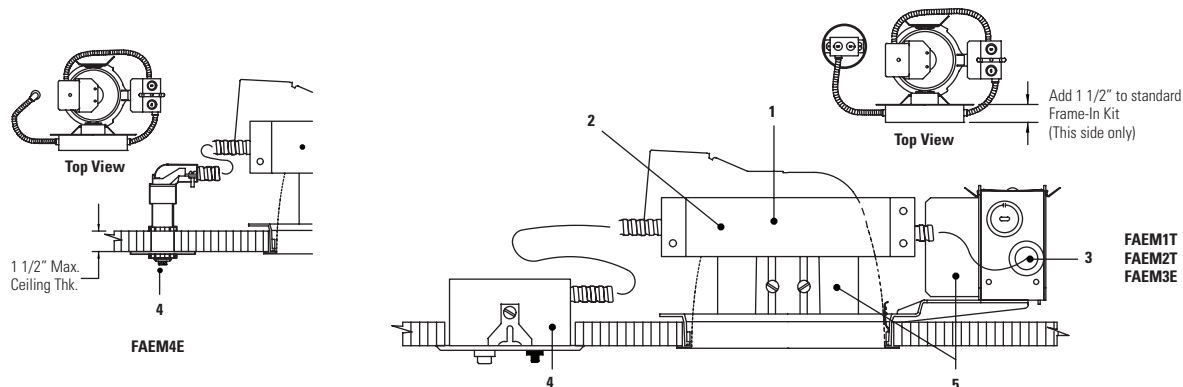


# Calculite® Recessed Fluorescent Downlight **FA-EM**



Compatibility Matrix				Lumen Output with Battery Pack		
Lamp	Base	Ballast	Specify	1-Light Fixture	2-Light Fixture Both Lamps On	2-Light Fixture One Lamp On
13W Twin, 2-pin	GX23	Magnetic	FAEM1T	---	625	---
13W Quad, 2-pin	GX23-2	Magnetic	FAEM1T	525	525	---
18W Quad, 2-pin	G24d-2	Magnetic	FAEM2T	520	520	---
26W Quad, 2-pin	G24d-3	Magnetic	FAEM2T	650	650	---
13W Quad, 4-pin	G24q-1	Electronic	FAEM3E	350	425	---
			FAEM4E	350	400	---
18W Quad, 4-pin	G24q-2	Electronic	FAEM3E	475	575	---
			FAEM4E	350	550	---
26W Quad, 4-pin	G24q-3	Electronic	FAEM3E	600	700	---
			FAEM4E	425	---	425
18W Triple, 4-pin	GX24q-2	Electronic	FAEM3E	300	525	---
			FAEM4E	350	550	---
26W Triple, 4-pin	GX24q-3	Electronic	FAEM3E	450	725	---
			FAEM4E	425	---	425
32W Triple, 4-pin	GX24q-3	Electronic	FAEM3E	575	750	---
			FAEM4E	600	---	600
42W Triple, 4-pin	GX24q-4	Electronic	FAEM3E	750	---	750
			FAEM4E	750	---	750

FAEM3E is only compatible to wire both lamps on up to 2-32W.  
 FAEM4E is only compatible to wire both lamps on up to 2-18W.

## Features

General Description: Accessory Kit attaches in the field to standard compact fluorescent downlights to provide emergency downlighting from readily available modular components.

- Battery Pack:** Provides 90 minute emergency lighting when AC power fails. Fully enclosed, long-life nickel cadmium; may be replaced from below; charges from 120 and 277VAC. Meets National Electrical and Life Safety Codes.
- Battery Pack Support Bracket:** Snaps onto Frame-In Kit mounting bracket.
- Stab-In Connectors:** Ballast and lamp leads stab into quick connector simplifying installation and service.
- Test Switch and Charge Light:** (FAEM1T, FAEM2T, FAEM3E) Included in easy-to-install recessed switch box. May be remoted to closet or cabinet (up to 50' away) if desired. Matte white, 4 1/2" diameter canopy.  
**FAEM4E** Includes one piece test switch and charge light with 2 3/4" dia. matte white cover plate; installs in ceiling or in optional reflectors (consult factory).
- Frame-In Kit/Reflector Trim:** Use standard Calculite compact fluorescent Frame-In Kit and Reflector Trim as desired.

## Labels

UL Listed for indoor dry locations. Not approved for Chicago Plenum

Job Information	Type:
<b>Job Name:</b>	
<b>Cat. No.:</b>	
<b>Lamp(s):</b>	
<b>Notes:</b>	