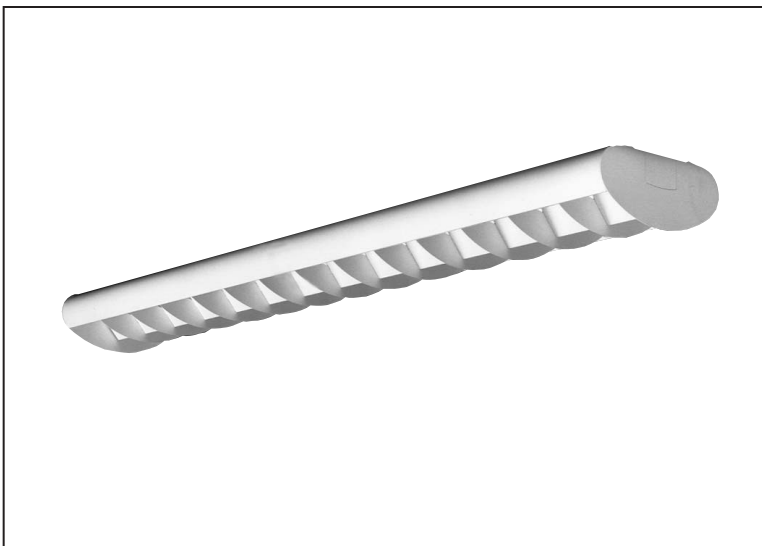


EYE-Q INDIRECT/DIRECT OR DIRECT EYS SERIES 35° LOUVER

FEATURES

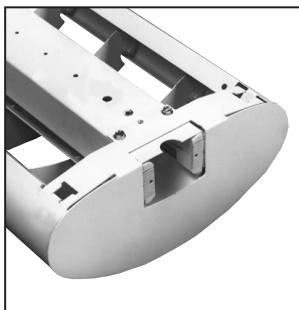
- Ideal for schools, offices or stores.
- 60% uplight, 40% downlight distribution.
- Can be pendant or surface mounted.
- Top reflectors available for downlight only.
- 87.5% efficient.
- 33° x 35° steel louver with safety chain.
- 48" or 96" modular lengths.
- Can be stem or cable mounted at fixture joints.
- 20 gauge steel housing.
- 18 gauge steel fixture ends.
- 22 gauge steel side reflectors.
- 22 gauge steel louver.
- Electronic ballast for 4' T8 lamps is standard.
- 1-3/4" x 2" easy tear-out flush K.O. for thru wiring.
- Flat white acrylic baked enamel (post painted).
- Meets NYC Code requirements.



MOUNTING METHODS



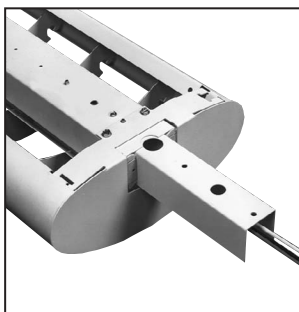
Louver hinges from either side. Safety chain is standard.



1-3/4" x 2" flush K.O. easy tear-out for thru wiring.

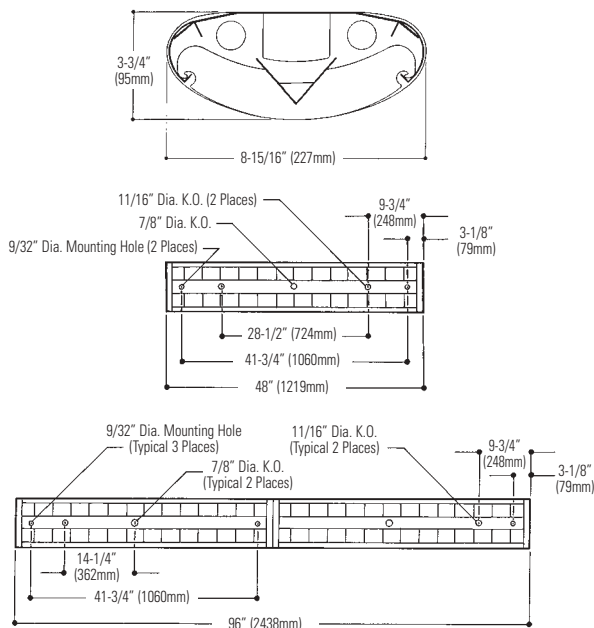


Slide Grip Hanger can be used at joint or along channel. (Can not be used with top reflector)
Order Catalog Number
EY SLIDE GRIP.



Coupler required for continuous row mounting.
Order Catalog Number
EY COUPLER.

DIMENSIONS



Job Information	Type:
Job Name:	
Cat. No.:	
Lamp(s):	
Volts/Ballast:	


Lightolier a Genlyte Thomas Company www.lightolier.com
 Technical Information: (978) 657-7600 • Fax (978) 658-0595
 631 Airport Road, Fall River, MA 02720 • (508) 679-8131 • Fax (508) 674-4710
 We reserve the right to change details of design, materials and finish.
 © 2002 Genlyte Thomas Group LLC (Lightolier Division)
 A0902 **SECTION 5/Folio K40-12**

LIGHTOLIER

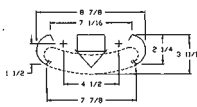
EYE-O INDIRECT/DIRECT OR DIRECT EYS SERIES 35° LOUVER

PHOTOMETRY

MODEL NO. EYS835FX23212004



independent TESTING LABORATORIES, INC. • 3386 LONGHORN ROAD, BOULDER, CO 80502 USA • PHONE (303) 442-1255
FAX (303) 449-5274
REPORT NUMBER: TLA4922 DATE: 11/18/96
PREPARED FOR: LIGHTOLIER
CATALOG NUMBER: EYS835FX23212004
LUMINAIRE: WHITE PAINTED FABRICATED METAL STRIP BALLAST HOUSING WITH WHITE PAINTED FABRICATED METAL END PIECES, TWO WHITE PAINTED FORMED METAL SIDE REFLECTORS, WHITE PAINTED FORMED METAL BALLAST COVER WITH 19 WHITE PAINTED FABRICATED METAL LOUVER VANES, OPEN TOP.
LAMPS: TWO 32-WATT T-8 F32T8/TL735 LINEAR FLUORESCENTS.
BALLAST: MOTOROLA M2-IN-T8-GP-D-120, BALLAST FACTOR = 86.6%
MOUNTING: SUSPENDED
TOTAL REFLECTANCE OF PAINT= 89.3 %
THE 0 DEGREE PLANE IS PARALLEL WITH THE LAMPS.
TOTAL INPUT WATTS= 60.8 AT 120.0 VOLTS
LUMEN TO CANDELA RATIO USED= 9.17
REPORT IS BASED ON 2800 LUMENS PER LAMP.



CANDELA DISTRIBUTION		FLUX	
0	0.0	22.5	45.0
0	846	846	846
5	835	838	840
15	754	765	791
25	632	656	737
35	499	538	673
45	357	411	547
55	214	264	325
65	130	149	157
75	66	70	75
85	15	27	40
90	0	25	49
95	36	64	82
105	165	241	227
115	306	415	445
125	438	531	625
135	544	610	740
145	633	673	763
155	699	717	765
165	740	740	758
175	755	755	755
180	753	753	753

ZONAL LUMEN SUMMARY	LUMENS	% LAMP	% FWT
0-30	652	11.6	13.3
0-40	1075	19.2	21.9
0-60	1731	30.9	35.3
0-90	1994	35.6	40.7
90-120	727	13.0	14.8
90-130	1252	22.4	25.5
90-150	2269	40.5	46.3
90-180	2909	51.9	59.3
0-180	4903	87.5	100.0

TOTAL LUMINAIRE EFFICIENCY = 87.5 %

CIE TYPE - DIRECT-INDIRECT
PLANE : 0-DEG 90-DEG
SPACING CRITERIA : 1.0 1.5
SHIELDING ANGLES : 38 28

THIS REPORT IS BASED ON PUBLISHED INDUSTRY PROCEDURES. FIELD PERFORMANCE MAY DIFFER FROM LABORATORY PERFORMANCE.

coefficients of utilization — zonal cavity method

room cavity ratio	20		50		10		50		30		10	
	RF	RC	RW	70	50	30	50	30	10	50	30	10
1	84	81	77	60	59	57	48	47	46			
2	77	71	66	53	50	48	43	41	39			
3	70	63	56	47	44	40	38	36	33			
4	65	56	49	42	38	35	34	31	29			
5	59	50	43	38	34	30	31	28	25			
6	55	44	38	34	30	26	28	25	22			
7	51	40	33	31	27	23	26	22	20			
8	47	36	30	28	24	21	23	20	18			
9	44	33	27	26	22	18	21	18	16			
10	41	30	24	24	20	17	20	17	14			

Louver Shielding: 33° Crosswise
35° Lengthwise

ORDERING INFORMATION

Explanation of Catalog Number. Example: EYS835FX23212004

EY EYE-O Suspended/ Surface Fluorescent Luminaire	S SIDE: S=Solid	35 SHIELDING: 35° Louver Cut-off	F FINISH: F= Flat White (standard)	2 LAMP QUANTITY (Nominal 48") 2-Lamps (Nominal 96") 2-Lamps in tandem (4 lamps)	32 LAMP/TYPE: 32 Watt T8	VOLTAGE: 120 or 277	BALLAST TYPE: S0=Electronic (T8) (2 lamps) O4=1-4 Lamp Elect. (T8) (8' only)	OPTIONS: Add appropriate suffix to catalog no., ie: (GLR)
---	------------------------------	--	--	---	---------------------------------------	-------------------------------	---	---

OPTIONS & ACCESSORIES

STEM AND CANOPY SETS: Suspend fixture 6", 12", 18" or 24" from surface.
Catalog Number: **ASC6 CSP** (6"), **ASC12 CSP** (12"), **ASC18 CSP** (18"),
ASC24 CSP (24").

FUSING: Internal fast-blow fusing. Suffix: **GLR**.
Internal slow-blow fusing. Suffix: **GMF**.

EMERGENCY PACK: Factory-installed emergency power battery pack with
charger and inverter, LP400 or equal, 120 or 277 volt. Suffix: **LP400**.

CABLE HANGERS: Adjustable 6"-60"

Single Cable and Canopy: Catalog Number **WC60**.

Single Cable, Straight Cord and Canopy: Catalog Number **WCC60**.

Single Cable, Coil Cord and Canopy: Catalog Number **WCCC60**.

SPECIFICATIONS

MATERIALS: Housing is die-formed 20 gauge cold rolled steel with full length
channel for thru wiring.

Fixture Ends: 18 gauge cold rolled steel with 1-3/4" x 2" flush K.O. for thru
wiring.

SPECIFICATIONS (continued)

Louver: 22 gauge cold rolled steel.

Side Reflectors: Solid 22 gauge cold rolled steel.

FINISH: Post painted white acrylic baked enamel.

ELECTRICAL: Electronic instant start (<20 THD) thermally protected class "P"
HPF non PCB, UL Listed, CSA Certified ballast for T8 lamps. If K.O. is within 3"
of ballast, use wire suitable for 90°.

LABELS: I.B.E.W. UL and ULc Listed.

Job Information

Type:

Lightolier a Genlyte Thomas Company

www.lightolier.com

Technical Information: (978) 657-7600 • Fax (978) 658-0595

631 Airport Road, Fall River, MA 02720 • (508) 679-8131 • Fax (508) 674-4710

We reserve the right to change details of design, materials and finish.

© 2002 Genlyte Thomas Group LLC (Lightolier Division)

A0902

SECTION 5/Folio K40-12

LIGHTOLIER