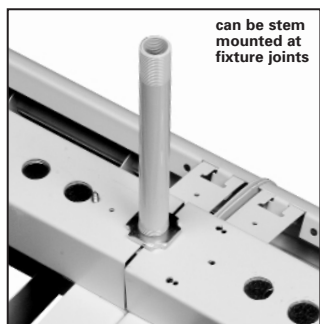


Features

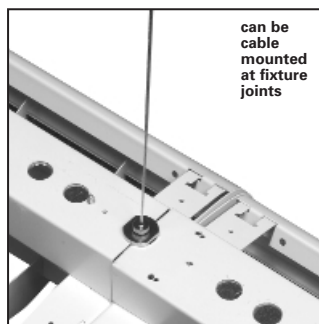
- Ideal for stores, schools, labs.
- Acrylic linear, prismatic lens.
- 55% downlight, 45% uplight.
- 93.1% efficient (3 lamp 54W T5). 81.5% efficient (3 lamp 32W T8).
- 1.1 spacing mounting ratio (3 lamp 54W T5).
- 1.3 spacing mounting ratio (3 lamp 32W T8).
- Can be pendant or surface mounted.
- 48" or 96" modular lengths.
- 20 gauge steel housing. 18 gauge steel ends.
- 22 gauge steel side reflectors.
- Flat white acrylic baked enamel, post painted.
- Lens can hinge from either side.
- Lens safety chain standard.
- Removeable upper end cap for thru wiring.
- Can be stem or cable mounted at fixture joints.
- K.O. in upper end cover for thru wiring.
- K.O. in upper end cap for occupancy sensor.
- Heavy duty coupler available.
- Meets NYC Code requirements.



Mounting Methods



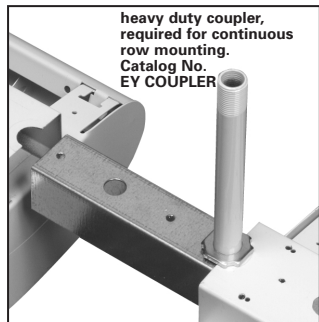
can be stem mounted at fixture joints



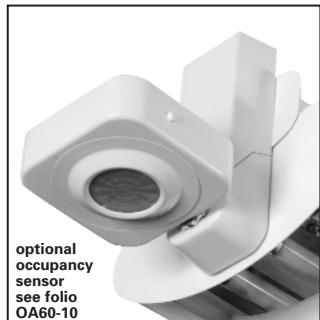
can be cable mounted at fixture joints



can be suspended with chain hanger sets
Catalog No. AH5 CSP



heavy duty coupler, required for continuous row mounting.
Catalog No. EY COUPLER

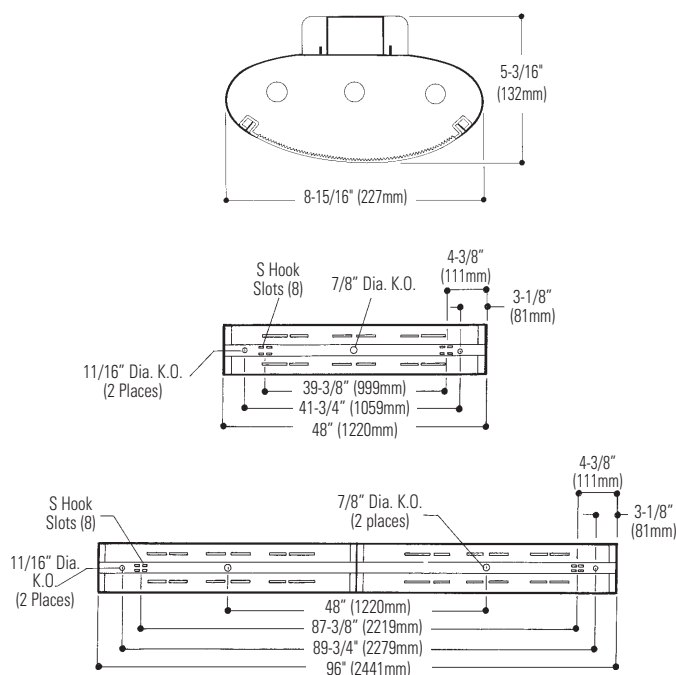


optional occupancy sensor see folio OA60-10

Luminaire-Mounted Motion Sensor
360° coverage, up to 45 ft. mounting distance. Field installed. Catalog Number: **FHB360**.

- Line voltage accepts 120 through 347 volt applications.
- Uses passive infrared (PIR) technology shielded by a fresnel lens; upon detection of infrared energy levels, the sensor is triggered and switches the light on.
- Light shuts off after a time delay unit that is factory preset at 10 minutes, manually adjustable from 30 sec. to 20 min. using tool included.
- Mounts on either end using 7/8" knockouts provided.

Dimensions



Job Information

Type:

Job Name:

Cat. No.:

Lamp(s):

Volts/Ballast:

Lightolier a Genlyte company www.lightolier.com
 Technical Information: (978) 657-7600 • Fax (978) 658-0595
 631 Airport Road, Fall River, MA 02720 • (508) 679-8131 • Fax (508) 674-4710
 We reserve the right to change details of design, materials and finish.
 © 2005 a Genlyte company **Section 5/Folio K60-30**

LIGHTOLIER®



Eye-QLB EYS4LNFX354

Linear Prismatic Lens, 55% Downlight, 45% Uplight 48" Length 3 Lamp T5/T8, 96" Length 3 Lamp T5/T8 in Tandem

Model No. EYS4LNFX332UNVH3

LER = FP - 68.9 IW - 89.5 BF - 0.88
Comparative yearly lighting energy cost per
1000 lumens = \$3.48

Report Number: G2005284
Catalog Number: EYS4LNFX332UNVH3
Lamps: F32T8/TL841
Luminaire: Eye-Q LB with linear prismatic
lens and 55% downlight specular reflector
Ballast: Triad B332I120RH-A
Report is based on 2850 Lumens per lamp.
Efficiency: 81.5%
CIE Type-Direct-Indirect
Plane: 0-Deg 90-Deg
Spacing Criteria: 1.2 1.3
Shielding Angles: 90 90
Plane: 0-Deg 90-Deg
Luminous Length: 48.000 9.000
Height of Side: 3.960 3.960

COEFFICIENTS OF UTILIZATION - ZONAL CAVITY METHOD. EFFECTIVE FLOOR CAVITY REFLECTANCE 0.20

RC	80	50	30
RW	70	50	30
1	80	76	72
2	72	66	60
3	66	57	51
4	60	51	44
5	55	45	38
6	51	40	33
7	47	36	30
8	43	33	26
9	40	30	24
10	38	28	22

LUMINANCE DATA IN CANDELA/SQ. METER

AVERAGE IN DEG.	AVERAGE 0-DEG.	AVERAGE 45-DEG.	AVERAGE 90-DEG.
45	3781.	3455.	3663.
55	3054.	3224.	2995.
65	2243.	2633.	2432.
75	1430.	2203.	2476.
85	360.	2013.	2177.

CANDELA DISTRIBUTION

	0.0	45.0	90.0	FLUX
0	1317	1317	1317	
5	1310	1256	1239	120
15	1266	1143	1136	329
25	1169	994	1076	484
35	1018	888	1116	599
45	807	859	1040	656
55	546	708	780	592
65	311	484	557	447
75	135	314	472	321
85	17	195	319	205
90	9	168	273	
95	53	244	324	249
105	209	404	547	403
115	377	451	613	456
125	525	482	609	468
135	647	531	600	461
145	755	718	626	443
155	839	875	839	391
165	896	909	932	258
175	924	922	929	88
180	924	924	924	

ZONAL LUMEN SUMMARY

ZONE	LUMENS	% LAMP	% FIXT
0- 30	933	10.9	13.4
0- 40	1533	17.9	22.0
0- 60	2781	32.5	39.9
0- 90	3753	43.9	53.8
90-120	1108	13.0	15.9
90-130	1575	18.4	22.6
90-150	2480	29.0	35.6
90-180	3217	37.6	46.2
0-180	6970	81.5	100.0

Model No. EYS4LNFX354UNVPV

LER = FP - 69.9 IW - 175.5 BF - 1.0
Comparative yearly lighting energy cost per
1000 lumens = \$3.43

Report Number: G2005296
Catalog Number: EYS4LNFX354UNVPV
Lamps: FP54/835
Luminaire: Eye-Q LB with linear prismatic
lens and 55% downlight specular reflector.
Ballast: Universal B454IUNV-E
Report is based on 4400 Lumens per lamp.
Efficiency: 93.1%
CIE Type-Direct-Indirect
Plane: 0-Deg 90-Deg
Spacing Criteria: 1.2 1.1
Shielding Angles: 90 90
Plane: 0-Deg 90-Deg
Luminous Length: 48.000 9.000
Height of Side: 3.960 3.960

COEFFICIENTS OF UTILIZATION - ZONAL CAVITY METHOD. EFFECTIVE FLOOR CAVITY REFLECTANCE 0.20

RC	80	50	30
RW	70	50	30
1	91	86	82
2	82	75	69
3	75	65	58
4	68	58	50
5	63	51	43
6	58	46	39
7	53	41	34
8	49	37	30
9	46	34	27
10	43	31	24

LUMINANCE DATA IN CANDELA/SQ. METER

AVERAGE IN DEG.	AVERAGE 0-DEG.	AVERAGE 45-DEG.	AVERAGE 90-DEG.
45	7371.	6181.	6664.
55	6109.	6175.	5610.
65	4456.	5146.	4476.
75	3009.	4182.	4993.
85	1080.	3933.	4607.

CANDELA DISTRIBUTION

	0.0	45.0	90.0	FLUX
0	2482	2492	2492	
5	2465	2253	2157	215
15	2383	2002	1935	576
25	2158	1695	1792	836
35	1859	1495	1932	1044
45	1573	1537	1892	1184
55	1092	1356	1461	1104
65	618	946	1025	847
75	284	596	952	629
85	51	381	675	423
90	15	310	529	
95	100	396	502	423
105	394	688	1070	731
115	689	778	936	748
125	927	794	1027	793
135	1117	828	963	764
145	1281	1239	963	735
155	1403	1474	1442	662
165	1489	1502	1542	427
175	1529	1523	1533	145
180	1528	1528	1528	

ZONAL LUMEN SUMMARY

ZONE	LUMENS	% LAMP	% FIXT
0- 30	1627	12.3	13.2
0- 40	2671	20.2	21.7
0- 60	4959	37.6	40.4
0- 90	6857	51.9	55.8
90-120	1902	14.4	15.5
90-130	2696	20.4	21.9
90-150	4195	31.8	34.1
90-180	5429	41.1	44.2
0-180	12286	93.1	100.0

Ordering Information

Explanation of Catalog Number. Example: EYS4LNFX332UNVH3

EY Eye-Q LB: Suspended/Surface Fluorescent Luminaire
S Solid Sides
P Perforated Sides
LN Linear Prismatic Lens
F Finish: F=Flat White
X No Top Reflector
3 Lamp Quantity: 3=3 Lamp 3 Lamps in Tandem for 96" Units
Lamp Type: (By Others) 32=T5 28=T8 54=T5 (Nominal 48")
Voltage: 120, 277 or UNV=120-277
Ballast Type: 1-2 & 1-1 Lamp Elec. T8 (4') 3-2 Lamp Elec. T8 (8') 1-3 or 2-3 Lamp Elec. T8 1-2 & 1-1 Lamp 28W Elec. T5 (4') 3-2 Lamp 28W Elec. T5 (8') 1-3 or 2-3 Lamp 54W Elec. T5 1-2 & 1-1 Lamp 28W or 54W Elec. T5 (4') 3-2 Lamp 28W or 54W Elec. T5 (8') LOL T8 Dimming
Options: Add appropriate suffix to catalog no., ie: (GLR) <20THD SO* HI* 03* H3* PI† PU†† PG†† PS

Options/Accessories

Stem and Canopy Sets: Suspends fixture 6", 12", 18" or 24" from surface.

Catalog Number: **ASC6 CSP** (6"), **ASC12 CSP** (12"), **ASC18 CSP** (18"),

ASC 24 CSP (24").

Fusing: Internal fast blow fusing: SUFFIX: **GLR**.

Internal slow blow fusing: SUFFIX: **GMF**.

Emergency Pack: Factory-installed emergency power battery pack with

charger and inverter. SUFFIX: **LP400** (T8), **LP550** (T5).

Cable Hangers: Adjustable 6"-60".

Single Cable and Canopy: Catalog Number: **WC60**.

Single Cable, Straight Cord and Canopy: Catalog Number: **WCC60****.

Single Cable, Coil Cord and Canopy: Catalog Number: **WCCC60****.

Chain Hanger Kits: Catalog Number: **AH5 CSP**.

**Cord, 3-#18 wires.

Specifications

Materials: Housing is die-formed 20 gauge cold rolled steel with full length channel for thru wiring..

Fixture Ends: 18 gauge cold rolled steel.

Lens: Linear Prismatic.

Side Reflectors: Solid 22 gauge cold rolled steel.

Finish: Post painted white acrylic baked enamel.

Specifications (continued)

Electrical: Thermally protected class "P" ballast C.B.M. approved, non PCB. If K.O. is within 3" of ballast, use wire suitable for at least 90°.

UL Listed for damp locations.

Labels: I.B.E.W./UL and ULc Listed.

Job Information Type:

Lightolier a Genlyte company www.lightolier.com

Technical Information: (978) 657-7600 • Fax (978) 658-0595

631 Airport Road, Fall River, MA 02720 • (508) 679-8131 • Fax (508) 674-4710

We reserve the right to change details of design, materials and finish.

© 2005 a Genlyte company

Section 5/Folio K60-30

LIGHTOLIER®