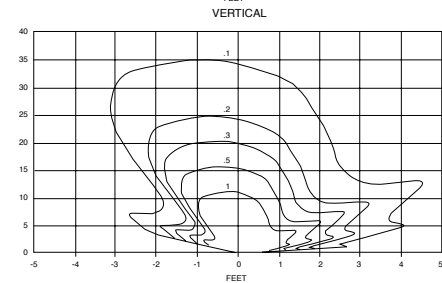
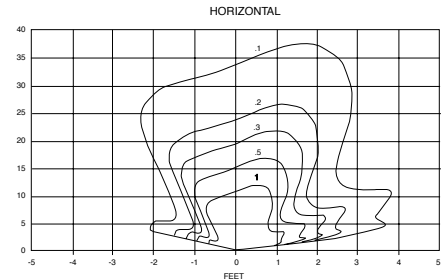
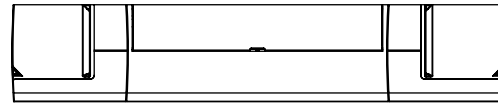
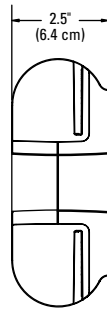
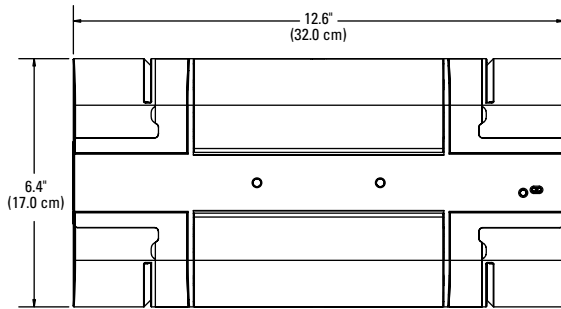


The EL4 Series is an architectural grade four-head emergency light primarily suited for ceiling mounted applications. This product features innovative architectural styling and technologically advanced features.



Complete fixture consists of unit and two lamp heads. **Lamp Head Photometrics (per lamp)**

How to Specify:



Model Series

EL4



Enclosure Color

W = White
B = Black



Battery

N = NiMH



Options

I = Infrared Remote Sensor¹
TD = Time Delay

Features

- 1. Illumination:** Four rotatable reflector assemblies with adjustable beam patterns. Unit includes 6 VDC, 6 watt halogen lamps housed in impact resistant lamp covers.*
- 2. Housing:** Impact resistant, injection molded UL 94-5VA flame retardant thermoplastic housing. UV-stabilized to resist discoloration. White finish is standard, black is optional.
- 3. Mounting:** Unit is either ceiling or wall mountable.
- 4. Standard Self-Testing/Self-Diagnostics:** Unit runs an internal test every five seconds for secondary voltage, charge current, battery voltage, and LED illumination. Performs automatic 1 minute discharge test every 30 days and 30 minute discharge test every 180 days meeting and exceeding UL 924 and NFPA 101 requirements. The Infrared Option allows a remote control to initiate a 5 second and 30 minute self-test in addition to the standard 1 minute and 90 minute manual test capability.
- 5. Electronics:** 120/277 VAC dual voltage input. Microprocessor controlled charge, transfer and monitoring system. Charging system is complete with low voltage disconnect, AC lockout, and brownout protection. Includes an AC indicator/systems status lamp and manual test switch.
- 6. Battery:** Maintenance free, sealed nickel metal hydride battery with 10 year life and an operating temperature between 14°F (-10°C) and 113°F (45°C). NiMH battery is a non-toxic, environmentally friendly product which is recyclable.
- 7. Input Power Requirements:**
120 VAC - .109 amps, 12.6W
277 VAC - .048 amps, 13.10W

Warranty

Electronics: 3 years, **Battery:** 5 years full, 5 years pro-rata

Code Compliance

UL 924 listed, NFPA 101.

Options

I = Infrared Remote Sensor¹
TD = Time Delay

Note:

¹ For use with remote control which is ordered separately. Item number: IRemote

Accessories

IREMOTE - Infrared Remote Control

*Replacement Lamping: No. 784, T2.25, G-4 Two Pin Base, 6 Volt, 6 Watt Miniature Lamp.

Job Information

Type:

Job Name:

Cat. No.:

Lamp(s):

Notes: