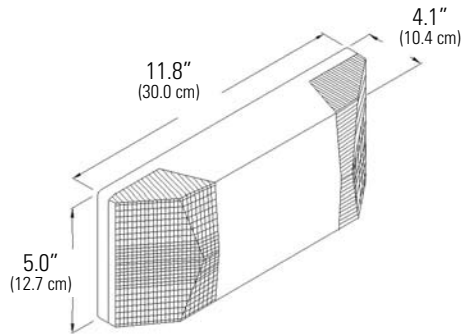
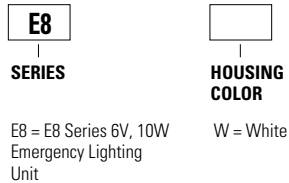


The E8 Series was designed to provide economical and efficient emergency lighting.



Complete Fixture consists of base unit.

How to Specify:



Features

1. **Illumination:** Illumination is accomplished with two 6V, 5W DC T5 wedge base lamps for emergency mode.
2. **Housing:** Constructed of impact resistant, UL 94 V-0, 5 VA white thermoplastic. Innovative, snap-together housing design allows for fast installation. Two flush mounted fresnel lenses maximize light output and provides glare free light distribution.
3. **Electronics:** 120/277 VAC dual voltage input with solid-state circuitry. Charging system is complete with low voltage disconnect, AC lockout, brownout protection, AC indicator lamp and test switch.
4. **Battery:** Maintenance free, sealed lead calcium battery has an estimated service life of 5 years, and an operating temperature range of 65°F (19°C) to 85°F (30°C).

Code Compliance

UL 924 listed

Warranty

Three year full electronics warranty
 One year full plus four year pro-rated lead calcium battery warranty

Job Information	Type:
Job Name:	
Cat. No.:	
Lamp(s):	
Notes:	

631 Airport Road, Fall River, MA 02720 • (508) 679-8131 • Fax (508) 674-4710
 We reserve the right to change details of design, materials and finish.
www.lightolier.com © 2009 Philips Group • C0609