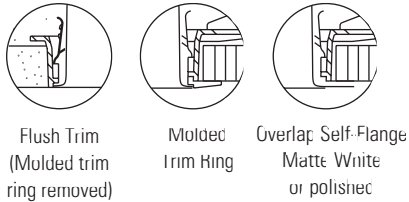
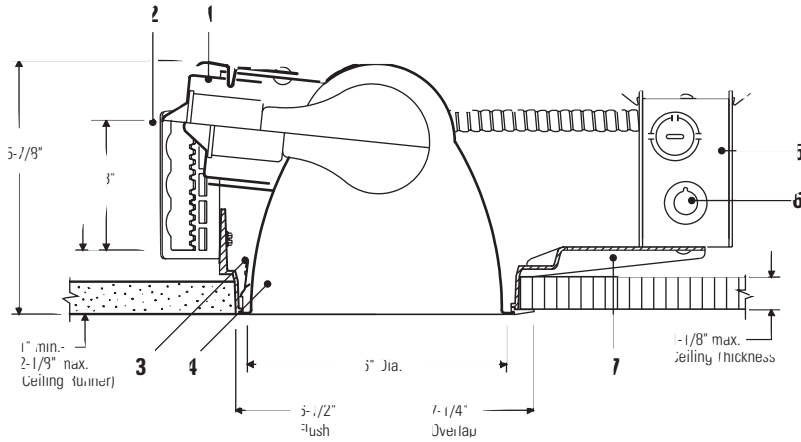
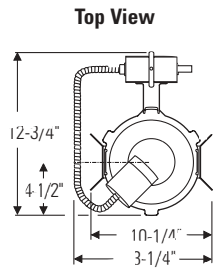




Calculite® Incandescent Open Downlight E7059



Ceiling Cutout: 6 9/16" Dia.

Reflector Trims	Frame-In Kit	Lamp
E7059CLW Specular Clear finish with white flange	E610	A19, 100W max.
E7059CLP Specular Clear finish with polished flange		A21, 150W max.
E7059CL Specular Clear finish with molded trim ring (flangeless)		
E7059 <input type="checkbox"/> Add suffix for other finishes (see options)		

Features

- Socket Cup:** Heat dissipating die-formed aluminum contains medium base porcelain socket with nickel plated screw shell wired with No 18 SF1 leads to J-Box. Installs on reflector with positive position locking springs to assure proper optical alignment of lamp to reflector — attached without tools. Can be adjusted without tools to accommodate two different lamp sizes.
- Mounting Brackets:** Adjust vertically from inside of fixture. Durable 16 ga. steel construction. Use with 3/4" or 1 3/4" lathing channels, or 1/2" (11/16" O.D.) EMT pipe (by others) or Lightolier accessory mounting bars.
- Retaining Springs:** Precision tooled springs secure reflector to mounting frame for quick tool-less installation.
- Reflector:** 16 ga. Specular Alzak® aluminum, 50° visual cut-off to lamp and lamp image. Available with white or polished flange, or with removable white molded trim ring (field paintable).
- Junction Box:** 14 ga. steel, 4" x 3 1/2" x 2" box allows inspection from below.
- Thermal Protector:** Meets NEC and UL requirements. Insulation must be kept 3" away from fixture sides and wiring compartments and must not be placed above fixture in a manner which will entrap heat.
- Mounting Frame:** Die-cast aluminum suitable for dry or plaster ceilings. Provides flangeless trim in plaster ceiling.

Other Reflector Finish Options

- Comfort Clear Diffuse **CCD**
- Specular Gold **GD**

For additional finishes consult factory (GD not available with polished flange)

Flange Options

- White **W**
- Polished Flange **P**
- Flangeless Leave Blank (molded trim ring)

Options & Accessories

- 18" Mounting Bars** 1950 (set of 2)
- 27" Mounting Bars** 1951 (set of 2)
- T-Bar Anchor Clips** 1956 (set of 4, for 1950 & 1951 bars)
- Existing Ceiling Clips** 7998 (set of 2)
- Sloped Ceiling Adapters** 7920 (see SCA specification sheet)
- Step Down Transformer** 7997 (see 7997 specification sheet)
- Chicago Air Plenum** LC (add suffix to Frame-in Kit)

Electrical

UL listed for maximum of 8 No. 12, 75°C through branch circuit supply conductors, or 60°C conductors for end of run.

Labels

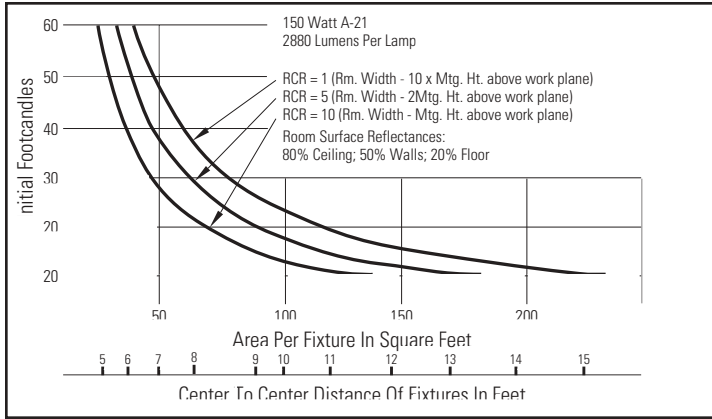
UL Listed for damp locations, I.B.E.W.

Alzak® is a registered trademark of ALCOA.

Job Information	Type:
Job Name:	
Cat. No.:	
Lamp(s):	
Notes:	

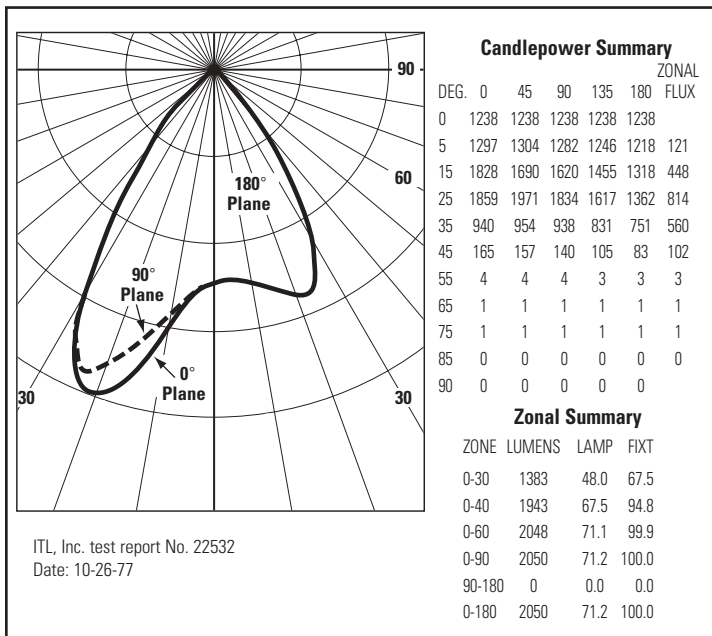
Lightolier a Genlyte Thomas Company www.lightolier.com
 631 Airport Road, Fall River, MA 02720 • (508) 679-8131 • Fax (508) 674-4710
 We reserve the right to change details of design, materials and finish.
 © 2002 Genlyte Thomas Group LLC (Lightolier Division) • A0902

LIGHTOLIER®



Use quick calculator chart to determine spacing of luminaires for desired level of illumination. Conversion Factor: 100W A19 (Clear): F.C. X 0.60; (Gold): F.C. x 0.55 150W A21 (Gold): F.C. x 0.90.

Spacing Ratio = 1.3



Coefficients of Utilization
% Effective Ceiling Cavity Reflectance

Room Cavity Ratio	% Wall Reflectance															
	80			70			50			30			10			0
	50	30	10	50	30	10	50	30	10	50	30	10	50	30	10	0
1	.80	.78	.76	.78	.77	.75	.75	.74	.73	.73	.72	.71	.70	.69	.69	.68
2	.75	.73	.70	.74	.72	.70	.72	.70	.68	.69	.68	.67	.68	.66	.65	.64
3	.71	.68	.65	.70	.67	.65	.68	.66	.64	.66	.64	.63	.65	.63	.62	.61
4	.67	.63	.61	.66	.63	.61	.65	.62	.60	.63	.61	.59	.62	.60	.58	.58
5	.63	.59	.57	.62	.59	.56	.61	.58	.56	.60	.57	.55	.59	.57	.55	.54
6	.60	.56	.53	.59	.56	.53	.58	.55	.53	.57	.54	.52	.56	.54	.52	.51
7	.56	.52	.50	.56	.52	.49	.55	.52	.49	.54	.51	.49	.53	.51	.49	.48
8	.53	.49	.46	.52	.49	.46	.52	.48	.46	.51	.48	.46	.50	.48	.46	.45
9	.49	.46	.43	.49	.45	.43	.48	.45	.43	.48	.45	.43	.47	.44	.42	.41
10	.47	.43	.40	.46	.43	.40	.46	.42	.40	.45	.42	.40	.45	.42	.40	.39

20% Floor Cavity Reflectance

Job Information **Type:**

Lightolier a Genlyte Thomas Company www.lightolier.com
631 Airport Road, Fall River, MA 02720 • (508) 679-8131 • Fax (508) 674-4710
We reserve the right to change details of design, materials and finish.
© 2002 Genlyte Thomas Group LLC (Lightolier Division) • A0902

LIGHTOLIER[®]