

DUS804CS-UP-NA

Universal Dual Technology Sensor

The DUS804CS-UP-NA is a low profile 360° ceiling surface mount Dual Technology sensor that uses Passive Infrared (PIR) and Ultrasonic technologies for precise motion detection. This single device also combines ambient light level detection (Photosensor) and infrared remote control reception (IR) technology. In applications such as office buildings, schools, universities and lecture halls, the DUS804CS-UP-NA universal sensor can be utilized to detect motion and switch on the lights. When rooms are unoccupied, lights can be automatically dimmed or switched off to provide energy savings. The unit also incorporates a segmented pull-down shield surrounding the PIR motion sensor element, which enables a portion of the sensing field to be readily masked to prevent nuisance detection from adjacent doorways or corridors. A separate sensor provides IR control reception to enable full remote control over lights, audio-visual equipment and blinds. A range of hand held infrared transmitters to complement DUS804CS-UP-NA sensor is available. In applications where it is critical to maintain precise lighting control for individual workspaces, such as an office workstation, the DUS804CS-UP-NA facilitates daylighting control by sensing both natural daylight and electric light to automatically regulate and maintain suitable light levels. The DUS804CS-UP-NA can also be placed in an automatic “Daylight Harvesting” mode for energy savings.

Data



Ultrasonic motion detection

Major motion detection area:
up to 1500 sq. ft* (50 ft x 30 ft)
Minor motion detection area:
up to 1000 sq. ft* (36 ft x 30 ft)
Operating Frequency: 32.8kHz
Mounting Height: 8 ft
Green LED activation indicator
(* dependent on application area)

PIR Motion detection

Detection area: 24 ft x 18 ft (at
8 ft mounting height)
Detection speed: 3.3 ft/s
Detection object: 2.3 ft x 0.8 ft
Detection zones: 64
Red LED activation indicator

Photosensor dynamic range

5 - 500 lux (incident on sensor)
5 - 5000 lux (illumination
of non-reflective surface in
sensor's field of view)
n.b. Value subject to the reflectance
properties of the surface
Automatic “Daylight
Harvesting” mode
Can be used for light
measurement

Infrared remote control receiver

Range up to 20 ft (angle
dependent)
Can be used with DTK500
series infrared remotes or
other learning IR remote
controls

Terminals

5 way pluggable terminal block
1 x 14 AWG or 2 X18 AWG
max. conductor size

Supply (DyNet DC Load)

24Vdc. (Max. 50mA@16Vdc)

Configuration

Blue service LED for
diagnostics and identification
All functions remotely
programmable

Operating environment

32° to 113°F (0° to 45°C)
ambient temperature
0% to 90% RH non condensing

Compliance

FCC, ICES, RoHS compliant

Construction

ABS plastic enclosure

Dimensions

3.5” diameter x D 1.0”
(exposed)

Weight

Packed weight 0.55 lb

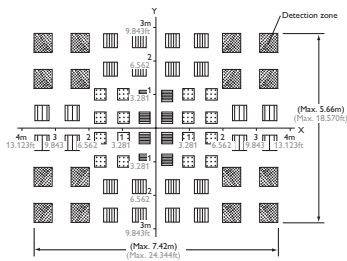
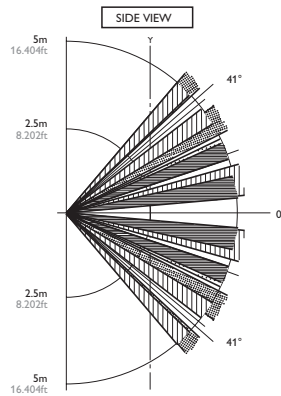
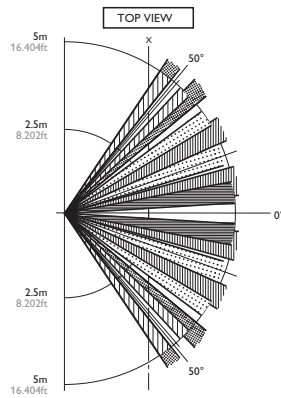
Job Information	Type:
Job Name:	
Cat. No.:	
Notes:	

DUS804CS-UP-NA

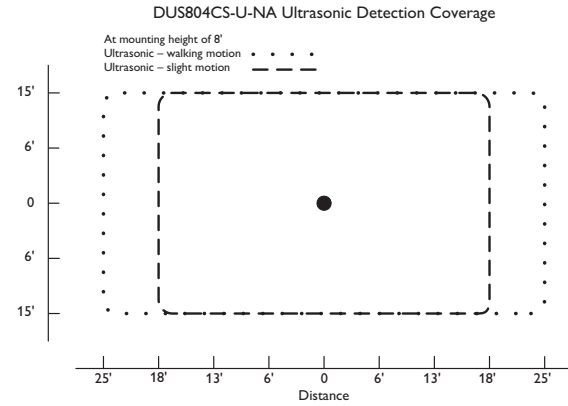
Universal Dual Technology Sensor

Page 2 of 2

PIR Coverage pattern



Ultrasonic coverage pattern

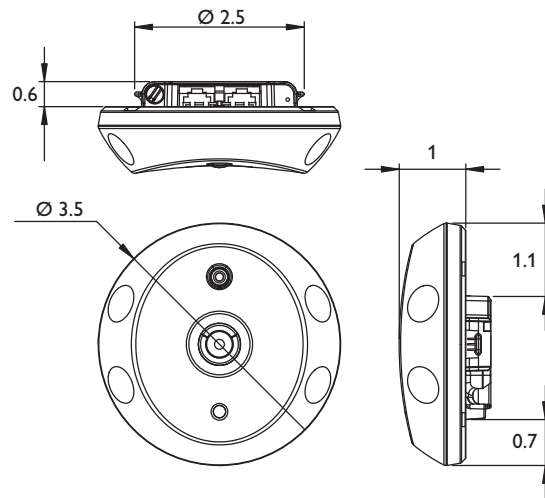


Pattern dimensions

Major motion: 50 ft x 30 ft (up to 1500 sq.ft)

Minor motion: 36 ft x 30 ft (up to 1000 sq.ft)

Mounting dimensions (in inches)



Ordering information

Type	Description	Quantity
DUS804CS-UP-NA	Universal Dual Technology sensor - Ceiling Surface Mount	1
Mounting kit (included)	Mud Ring suitable for either 3.5" Octagon or 3.5" Round Pan	1



Philips Lighting Controls
 e: controls.support@philips.com
 t: 1-800-526-2731
 w: www.lightolier.com

DUS804CS-UP-NA November 19, 2010

Specifications are subject to change without notice.
 © Koninklijke Philips Electronics N.V., 2010. All rights reserved.

Job Information Type: