

# DUS804CS-U-NA

## Ultrasonic Sensor

The DUS804CS-U-NA is a low profile 360° ceiling surface mount sensor that uses Ultrasonic and infrared remote control reception (IR) technology. In applications such as office buildings, schools, universities and lecture halls, the DUS804CS-U-NA universal sensor can be utilized to detect motion and switch on the lights. When rooms are unoccupied, lights can be automatically dimmed or switched off to provide energy savings. A separate sensor provides IR control reception to enable full remote control over lights, audio-visual equipment and blinds. A range of hand held infrared transmitters to complement DUS804CS-U-NA sensor is available.

### Technical Data



#### Motion Detection

Detection area: 26' x 52' (1,378ft<sup>2</sup> coverage)

Transducer pairs: 2

Operating frequency: 32KHz

#### PE Cell

Dynamic range <5 lux to >5000 lux

Automatic "Daylight Harvesting" mode

Can be used for light measurement

#### Infrared Remote Control Receiver

Range >19'

LED activation indicator

Can be used with DTK500 series infrared

remotes or other learning IR remote

controls

#### Control IO

1 x RS485 DyNet serial port

#### Terminals

5 way removable terminal strip,

1 x 14AWG max conductor size

#### Controls

Walk test/IR received LED indicator

#### DyNet DC Load

10mA @ 24VDC

#### Configuration

All functions remotely programmable

#### Operating Environment

32° to 113°F (0° to 45°C) ambient temperature

0% to 90% RH non condensing

#### Compliance

FCC, RoHS compliant

#### Construction

ABS plastic enclosure

#### Dimensions

3.5" diameter x D 1.0" (exposed)

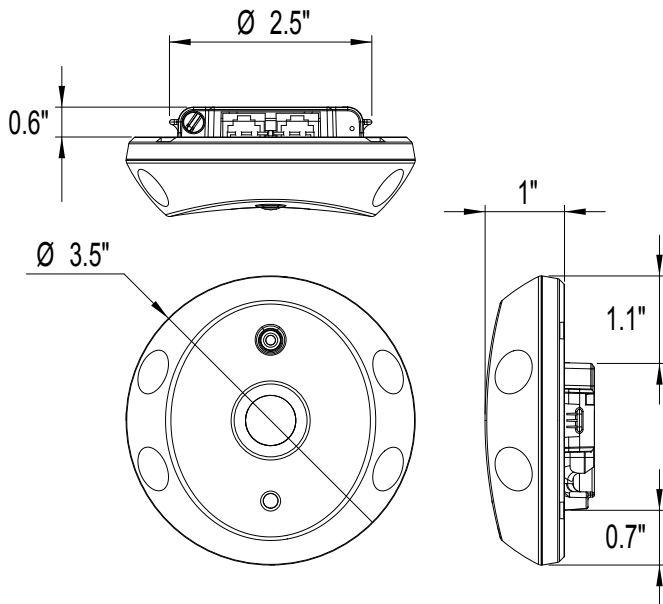
#### Weight

Packed weight 0.55 lb

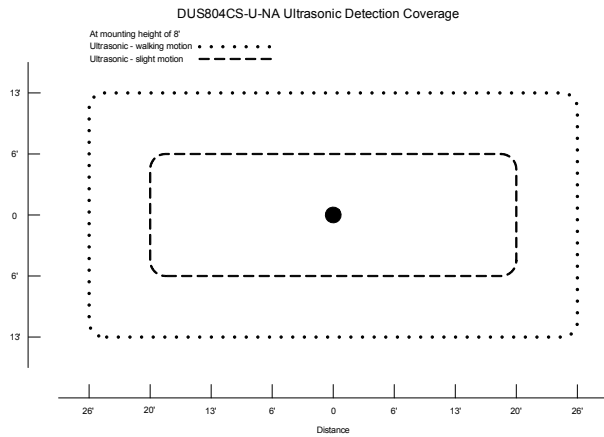
# DUS804CS-U-NA

## Ultrasonic Sensor

### Mounting Dimensions



### Coverage



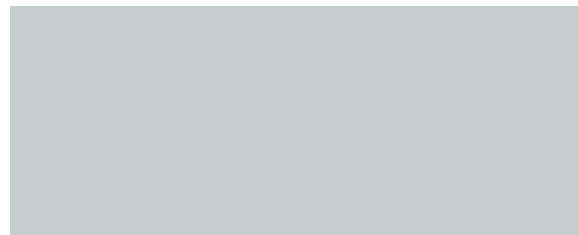
### Ordering Information

Type	Description	Quantity
DUS804CS-U-NA	Ultrasonic/PIR sensor	1
Mounting Option	Mud Ring suitable for either 3.5" Octagon or 3.5" Round Pan	1



e: [controls.support@philips.com](mailto:controls.support@philips.com)  
t: 1-800-526-2731  
w: [lightolier.com](http://lightolier.com)

For further information contact:



DUS804CS-U-NA Rev 2 February 13, 2010

Specifications are preliminary and subject to change prior to commercial release. Regulatory compliance pending. © Philips Dynalite. Unit 6, 691 Gardiners Road Mascot 2020 Australia. ABN 97 095 929 829. All rights reserved. Dynalite, DyNet and associated logos are the registered trademarks of Philips Dynalite. Not to be reproduced without permission.