

DUS804C-NA

Universal Sensor

Page 1 of 2

The DUS804C-NA is a low profile recessed flush mount 360° ceiling mount sensor that combines motion detection (PIR), infrared remote control reception (IR) and ambient light level detection (Photosensor) in the one device. In applications such as office buildings, schools, universities and lecture halls, the DUS804C-NA universal sensor can be utilized to detect motion and switch on the lights. When rooms are unoccupied, lights can be automatically dimmed or switched off to provide energy savings. The unit also incorporates a segmented click-up bezel surrounding the motion sensor element. This enables a portion of the sensing field to be readily masked to prevent nuisance detection from adjacent doorways or corridors. The same sensor provides IR control reception to enable full remote control over lights, audio-visual equipment and blinds. A range of hand held infrared transmitters to complement DUS804C-NA universal sensors are available. In applications where it is critical to maintain precise lighting control for individual workspaces, such as an office workstation, the DUS804C-NA facilitates daylighting control by sensing both natural daylight and electric light to automatically regulate and maintain suitable light levels. The DUS804C-NA can also be placed in an automatic "Daylight Harvesting" mode for energy savings.

Technical Data



Motion Detector

DUS804C-NA:

Standard Sensitivity
Maximum detection range: 16'
Detection Area: 24' x 18'
rectangular (at a height of 8')
Detection speed: 13.3 ft/s
Detection object: 2.2' x 0.8'
Detection zones: 64
LED activation indicator
Sensor: Quad element pyro-
electric

DUS804C-SM-NA:

Slight Motion Sensitivity
Maximum detection range: 6.5'
Detection Area: 6.5' circular
(at a height of 8')
Detection speed: 1.65 ft/s
Detection object: 7.9" x 7.9"
Detection zones: 104
LED activation indicator
Sensor: Quad element pyro-
electric

Photosensor Dynamic range

5 - 500 lux (incident on sensor)
5 - 5000 lux (illumination
of non-reflective surface in
sensor's field of view)
n.b. Value subject to the
reflectance properties of the
surface

Infrared Remote Control Receiver

Range up to 19', angle
dependant.

LED activation indicator
Can be used with DTK500
series infrared remotes or
other learning IR remote
controls

Control IO

1 x RS485 DyNet serial port

Terminals

5-way screw terminal strip
1 x 14 AWG or 2 x 18 AWG
max. conductor size

Controls

Walk test/IR received LED
indicator

Supply

DyNet DC Load: max.

10mA@24VDC

Configuration

All functions remotely
programmable

Compliance

FCC, RoHS Compliant

Operating Environment

32° to 122°F (0° to 50°C)
ambient temp
0% to 90% RH non condensing

Construction

ABS plastic enclosure

Dimensions

4.8" diameter x D 1.0"

Weight

Packed weight 0.3 lb

Job Information Type:

Job Name:

Cat. No.:

Notes:

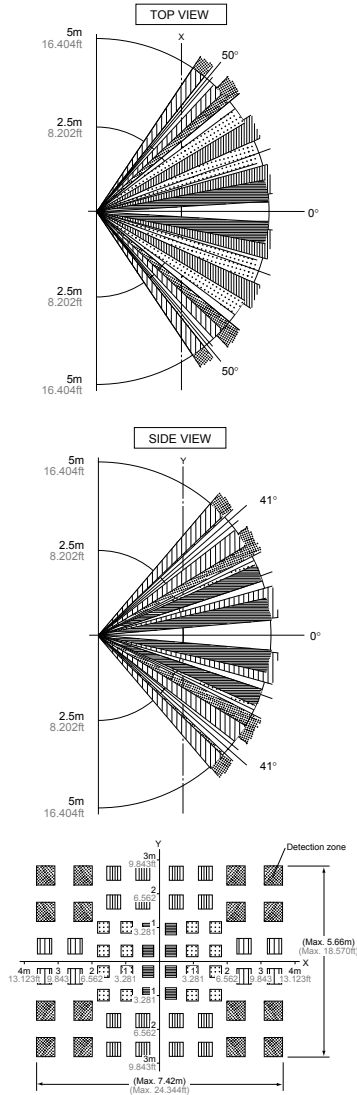
PHILIPS

sense and simplicity

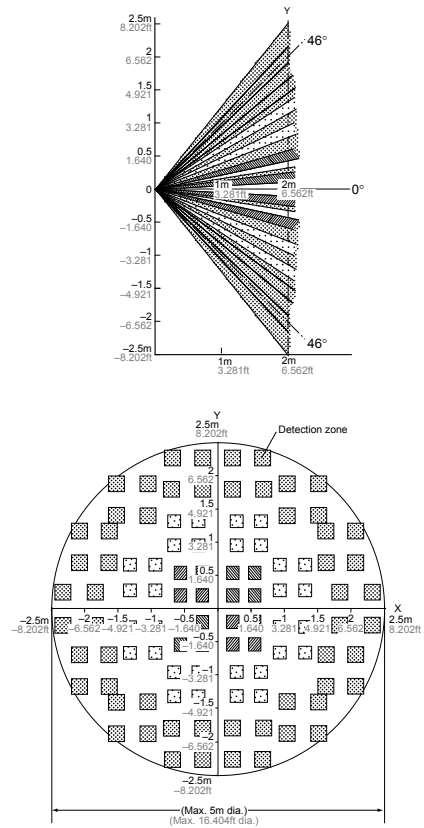
DUS804C-NA

Universal Sensor

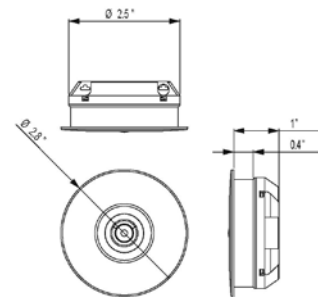
Lens Pattern DUS804C-NA



Lens Pattern DUS804C-SM-NA



Mounting Dimensions



Ordering Information

| Type | Description | Quantity |
|---------------|-----------------------------------------|----------|
| DUS804C-NA | Ceiling flush mount - Universal Sensor | 1 |
| DUS804C-SM-NA | Universal Sensor - Slight Motion option | 1 |



Philips Lighting Controls
 e: controls.support@philips.com
 t: 1-800-526-2731
 w: www.lightolier.com

DUS804C-NA September 2, 2010

Specifications are subject to change without notice.
 © Koninklijke Philips Electronics N.V., 2010. All rights reserved.