

# LIGHTOLIER® Deepcel Plus DPA2G9LS217 or 26U

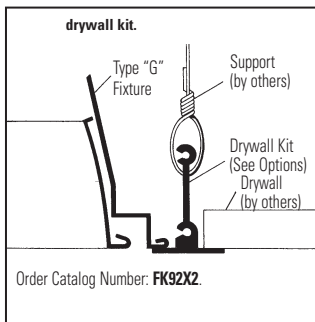
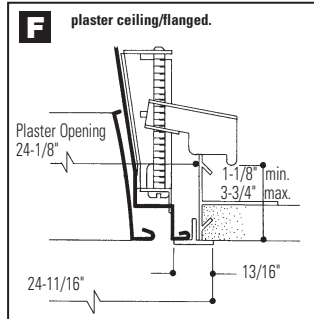
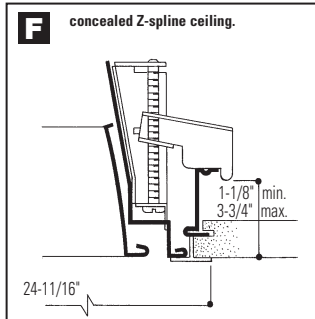
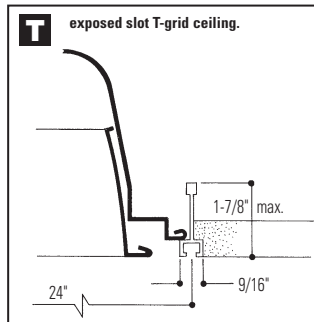
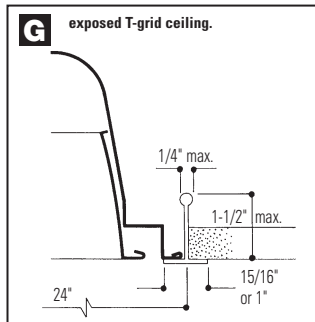
Page 1 of 2

2' x 2' Recessed Fluorescent, 3", 9 Cell Parabolic Louver  
Static or Air Supply/Return, 2 Lamp 6"U T8 or 2' T8

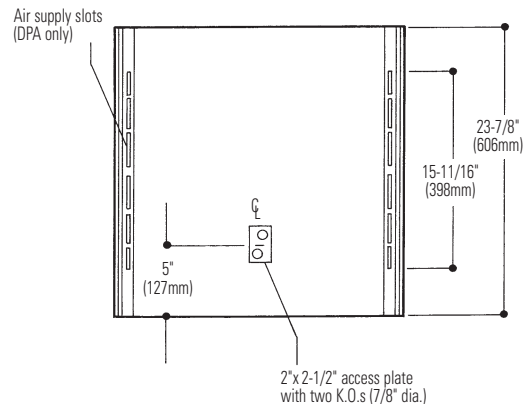
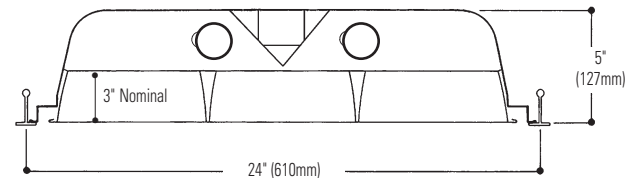
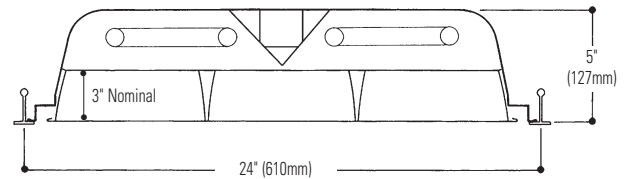
- 5" deep body.
- 66.2% efficient.
- Clean contoured interior.
- Eyeleted heat removal vents in fixture ends.
- One piece housing.
- Black exterior for cooler ballast operating temperature.
- Hemmed over side rails for safe handling.
- Fixture ends turned-in for safe handling.
- Built-in earthquake clips.
- Pre-anodized aluminum parabolic louver.
- Vertical grain louver eliminates reflected lamp images on cross baffle.
- Spring loaded latches.
- 18 gauge steel hinges.
- Louver frame with integral positive light stop.
- Louver has protective film dust guard.
- Construction to meet NYC Code or Chicago Plenum requirements is available.



## Mounting Methods



## Dimensions



## Job Information

## Type:

**Job Name:**

**Cat. No.:**

**Lamp(s):**

**Volts/Ballast:**

For Factory Technical Information: (978) 657-7600 • Fax (978) 658-0595  
631 Airport Road, Fall River, MA 02720 • (508) 679-8131 • Fax (508) 674-4710  
We reserve the right to change details of design, materials and finish.  
www.lightolier.com © 2009 a Philips Group

09/09

Section 2/Folio G51-20 Rev. B

# LIGHTOLIER® Deepcel Plus DPA2G9LS217 or 26U

Page 2 of 2

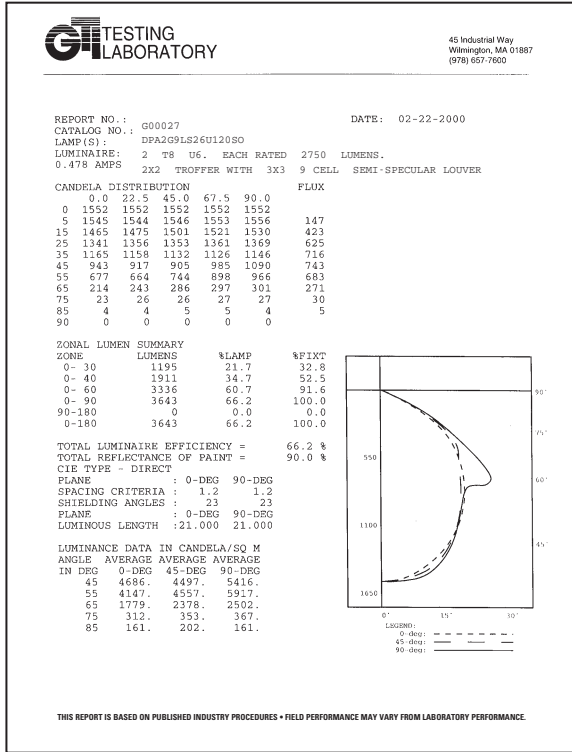
2' x 2' Recessed Fluorescent, 3", 9 Cell Parabolic Louver  
Static or Air/Return, 2 Lamp 6"U T8 or 2' T8

## Photometry

Model No. DPA2G9LS26U120S0

LER = FP - 53.4 IW - 57.2 BF - 0.87

Comparative yearly lighting energy cost per 1000 lumens = \$4.49



### coefficients of utilization — zonal cavity method

RF	20			20			20		
RC	80			50			30		
RW	70	50	30	50	30	10	50	30	10
1	73	71	69	67	65	63	64	63	61
2	68	63	59	60	57	54	57	55	53
3	62	56	51	53	49	46	51	48	46
4	57	50	45	48	43	40	46	43	40
5	53	45	40	43	38	35	42	38	35
6	49	41	35	39	34	31	38	34	31
7	45	37	31	35	31	27	35	30	27
8	42	34	28	32	28	25	32	27	24
9	40	31	26	30	25	22	29	25	22
10	37	29	24	28	23	20	27	23	20

### visual comfort probability (VCP) average 100 fc; reflectances 80/50/20

room size		ceiling height				ceiling height			
W	L	8.5	10.0	13.0	16.0	8.5	10.0	13.0	16.0
20	20	67	61	59	70	63	57	54	65
20	30	70	65	60	59	67	61	54	54
20	40	73	68	64	61	70	64	59	56
20	60	75	70	67	64	72	67	62	59
30	20	72	66	59	67	69	62	56	64
30	30	75	69	60	57	72	66	57	53
30	40	77	71	64	59	75	68	61	56
30	60	79	73	67	62	76	71	64	59
30	80	80	75	69	65	78	73	66	62
40	20	75	69	63	66	73	66	60	64
40	30	78	72	64	58	75	69	61	55
40	40	80	74	67	60	77	71	64	57
40	60	81	76	70	63	79	73	67	60
40	80	82	78	72	65	80	75	69	63
40	100	83	79	74	68	81	77	71	65
60	30	79	74	67	61	76	71	64	58
60	40	80	76	70	62	78	73	67	60
60	60	82	78	72	65	80	75	70	63
60	80	83	79	74	67	81	77	72	65
60	100	84	80	76	69	82	78	73	67
100	40	81	76	73	66	79	74	69	64
100	60	83	79	74	68	81	76	72	66
100	80	84	80	76	71	82	78	74	69
100	100	85	82	78	72	84	80	76	70

## Ordering Information

Explanation of Catalog Number. Example: DPA2G9LS26UUNVHI

<b>DP</b>	<b>DY</b>	<b>ND</b>	<b>2</b>	<b>9</b>	<b>S</b>	<b>2</b>	<b>6U</b>	<b>120, 277 or UNV=120-277</b>	<b>-</b>	<b>Options:</b> Add appropriate suffix to catalog no.ie (C)
Deepcel Plus Parabolic: Pre-anodized aluminum louver	Body Style: A=Air Supply S=Static	Fixture Width	Ceiling Type: G=Grid (lay-in T bar) F=Flanged (over lap) Z spline and plaster frame T=Slot grid or two-directional concealed T (see options)	Number of Cells: 9=3 rows of 3	Louvers Finish: L=Low iridescence Semi-specular (standard) P=Low iridescence Specular W=White Baked Polyester Powder	Single "V" Reflector	Lamp Quantity	Lamp Type/ Fixture Length: 6U=T8 6" U Lamp 17=T8 2' Lamp 2 Lamp Only (Nominal 24")	Voltage: 120, 277 or UNV=120-277	Ballast Type: <20THD <10THD SO * HI * PS -
Standard Deepcel	For NYC Code - I.B.E.W. Manufactured	For NYC Code - Local 3 Manufactured 5 1/2" Deep Body						NOTE: For Linear T5 lamp option, consult factory.	*Instant Start Standard Other dimming options, consult factory. NOTE: For T8 UNV, you must use HI Ballast Code.	

## Options/Accessories

Plaster Frame: Catalog Number: PF22

Continuous Row Installation: For F type fixtures, half width flanges are required between fixtures. Order Catalog Number: ZFC TRIM CSP (each joint).

Radio Interference Filter: To order one RIF per fixture; SUFFIX: R. To order one RIF per ballast; SUFFIX: B.

Electrical Wiring Options: Consult factory.

Air Closure Strip: SUFFIX: ACS2 (factory installed).

Drywall Kit: Order Catalog Number: FK92X2. (Request Folio OA30-10 Rev. A).

Chicago Plenum: SUFFIX: C.

## Specifications

**Performance:** In an installation of 2 lamp 31W luminaires in a room cavity ratio of 1, reflectance 80% ceiling, 50% wall, 20% floor, the C.U. shall not be less than .71. To prevent glare the VCP shall be not less than 63 either lengthwise or crosswise (at 100fc level) and the average brightness at 65° shall not exceed 2502 candelas per square meter. To control veiling reflections, luminaire output in the 30°-90° zone shall not be less than 67.2%.

**Air Handling** (DPA only) side air passages for air supply or air return. Supply air is discharged vertically. Optional side closure strips. Air return is also provided through the lamp compartment through fixture body ends.

**Materials:** Chassis parts are die-formed code gauge cold rolled steel. Housing is ribbed for rigidity with side rails hemmed over and housing ends turned-in for safe handling. Louver is pre-anodized aluminum.

## Specifications (continued)

**Finish:** Chassis exterior—black baked polyester enamel. **Cavity**—white baked polyester enamel minimum 86% reflectance. Rust preventative undercoating. **Louvers**—low iridescence semi-specular anodized vertical grain aluminum reflector sheet is standard.

**Electrical:** Thermally protected class "P" ballast C.B.M. approved, non PCB. If K.O. is within 3" of ballast, use wire suitable for at least 90°.

**Labels:** I.B.E.W. UL and ULc Listed. UL listed for damp locations.

This product may have a mercury containing lamp.

Manage in accord with Disposal Laws. See: www.lamprecycle.org

## Job Information

## Type:

For Factory Technical Information: (978) 657-7600 • Fax (978) 658-0595  
631 Airport Road, Fall River, MA 02720 • (508) 679-8131 • Fax (508) 674-4710

We reserve the right to change details of design, materials and finish.

www.lightolier.com © 2009 a Philips Group

Section 2/Folio G51-20 Rev. B