

LIGHTOLIER® Deepcel Plus DPA2G9LP317 or 32U

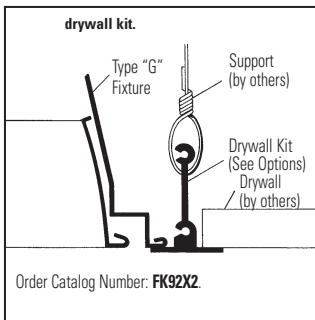
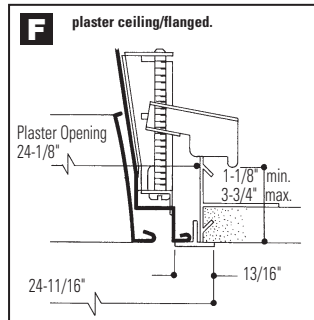
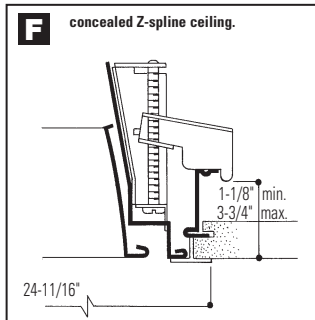
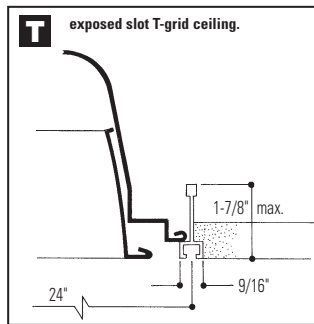
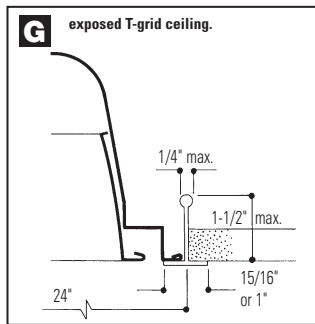
Page 1 of 2

2' x 2' Recessed Fluorescent, 3", 9 Cell Parabolic Louver
Static or Air Supply/Return, 3 Lamp 1-5/8"U T8 or 2' Lamp T8

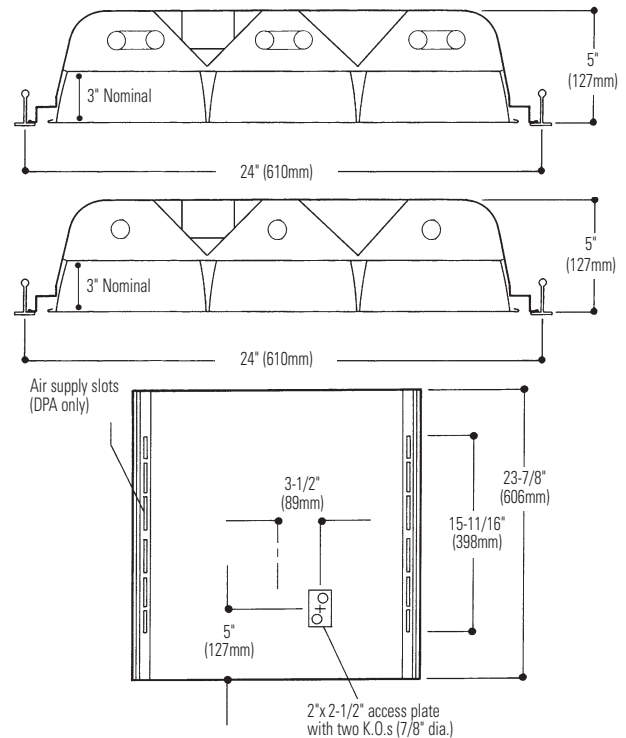
- 5" deep body.
- Individual lamp compartments.
- 63.4% efficient (3-1-5/8"U lamp).
- Clean contoured interior.
- Eyeleted heat removal vents in fixture ends.
- One piece housing.
- Black exterior for cooler ballast operating temperature.
- Hemmed over side rails for safe handling.
- Fixture ends turned-in for safe handling.
- Built-in earthquake clips.
- Pre-anodized aluminum parabolic louver.
- Vertical grain louver eliminates reflected lamp images on cross baffle.
- Spring loaded latches.
- 18 gauge steel hinges.
- Louver frame with integral positive light stop.
- Louver has protective film dust guard.
- Construction to meet NYC Code or Chicago Plenum requirements is available.



Mounting Methods



Dimensions



Job Information

Type:

Job Name:

Cat. No.:

Lamp(s):

Volts/Ballast:

For Factory Technical Information: (978) 657-7600 • Fax (978) 658-0595
631 Airport Road, Fall River, MA 02720 • (508) 679-8131 • Fax (508) 674-4710
We reserve the right to change details of design, materials and finish.
www.lightolier.com © 2009 a Philips Group

09/09

Section 2/Folio G51-26 Rev. B

LIGHTOLIER® Deepcel Plus DPA2G9LP317 or 32U


Page 2 of 2

2' x 2' Recessed Fluorescent, 3", 9 Cell Parabolic Louver
Static or Air/Return, 3 Lamp 1-5/8"U T8 or 2' Lamp T8

Photometry

Model No. DPA2G9LP32U12003

LER = FP - 56.2 IW - 57.2 BF - 0.87
Comparative yearly lighting energy cost per 1000 lumens = \$4.27



**TESTING
LABORATORY**

45 Industrial Way
Wilmington, MA 01887
(978) 657-7600

REPORT NO.: G00060
CATALOG NO.: DPA2G9LP32U12003
LAMP(S): 3 FB031/41K, EACH RATED 2725 LUMENS.
LUMINAIRE: 2X2 TROFFER WITH 3X3 LI-SEMI-SPECULAR 9 CELL LOUVER.
2 COVERS AND 3 U LAMPS
ADVANCE REL-3P32-SC
0.66 AMPS 78.3 WATTS

DATE: 03-29-2000

CANDELA DISTRIBUTION

0	0	22.5	45.0	67.5	90.0	FLUX
0	2277	2277	2277	2277	2277	
5	2263	2266	2265	2278	2279	216
15	2153	2175	2228	2286	2313	631
25	1975	2029	2122	2210	2257	978
35	1725	1804	1893	1986	2033	1181
45	1388	1464	1494	1532	1599	1143
55	948	962	971	986	1030	743
65	278	285	227	220	241	251
75	30	31	31	31	31	35
85	5	5	5	5	5	7
90	0	0	0	0	0	0

ZONAL LUMEN SUMMARY

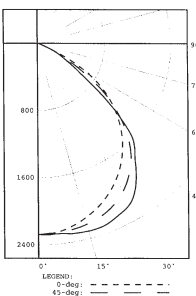
ZONE	LUMENS	%LAMP	%FIXT
0-30	1826	22.3	35.2
0-40	3007	36.8	58.0
0-60	4822	59.8	94.4
0-90	5185	63.4	100.0
90-180	0	0.0	0.0
0-180	5185	63.4	100.0

TOTAL LUMINAIRE EFFICIENCY = 63.4 %
TOTAL REFLECTANCE OF PAINT = 90.0 %
CIE TYPE - DIRECT

PLANE : 0-DEG 90-DEG
SPACING CRITERIA : 1.2 1.4
SHIELDING ANGLES : 23 23
PLANE : 0-DEG 90-DEG
LUMINOUS LENGTH : 21.000 21.000

LUMINANCE DATA IN CANDELA/SQ M

ANGLE	AVERAGE	AVERAGE	AVERAGE
IN DEG	0-DEG	45-DEG	90-DEG
45	6897	7423	7945
55	5807	5335	3859
65	2311	1887	2004
75	407	421	421
85	202	242	202



THIS REPORT IS BASED ON PUBLISHED INDUSTRY PROCEDURES - FIELD PERFORMANCE MAY VARY FROM LABORATORY PERFORMANCE.

coefficients of utilization — zonal cavity method

	RF		RC		RW		20		20		20	
	70	50	30	50	30	10	50	30	10	50	30	10
room cavity ratio	1	71	68	66	64	63	61	62	61	59	59	59
	2	65	61	58	58	55	53	56	54	52	52	52
	3	60	55	51	52	49	46	50	48	45	45	45
	4	56	49	45	47	43	40	46	42	40	40	40
	5	52	45	39	43	38	35	41	38	35	35	35
	6	48	40	35	39	34	31	38	34	31	31	31
	7	45	37	32	35	31	28	34	31	28	28	28
	8	42	34	29	32	28	25	32	28	25	25	25
	9	39	31	26	30	26	23	29	25	23	23	23
	10	36	29	24	28	24	21	27	23	21	21	21

visual comfort probability (VCP) average 100 fc; reflectances 80/50/20

	room size		ceiling height				ceiling height			
	W	L	8.5	10.0	13.0	16.0	8.5	10.0	13.0	16.0
20	20	20	67	60	55	62	70	65	62	61
20	30	30	70	64	56	53	73	68	62	58
20	40	40	73	67	60	55	76	70	65	60
20	60	60	75	69	63	59	77	72	68	63
30	20	20	72	66	58	61	75	69	63	61
30	30	30	75	68	59	53	77	71	63	58
30	40	40	77	71	63	56	79	73	67	60
30	60	60	78	73	66	59	80	75	69	63
30	80	80	80	75	68	62	81	77	71	65
40	20	20	75	69	63	63	78	72	67	62
40	30	30	77	71	63	56	79	74	67	59
40	40	40	79	73	66	58	81	76	69	61
40	60	60	80	75	69	61	82	77	72	63
40	80	80	82	77	71	63	83	79	73	66
40	100	100	83	78	73	63	84	80	75	68
60	30	30	79	74	67	59	81	76	70	62
60	40	40	80	76	69	61	82	78	72	63
60	60	60	82	77	71	63	83	79	74	66
60	80	80	83	79	73	66	84	80	75	68
60	100	100	83	80	75	68	85	81	77	70
100	40	40	81	77	72	65	83	79	74	67
100	60	60	82	78	74	67	84	80	76	69
100	80	80	84	80	75	69	85	81	78	71
100	100	100	84	81	77	71	86	82	79	73

Ordering Information

Explanation of Catalog Number. Example: DPA2G9LP32UUNVH3

<input type="checkbox"/>	<input type="checkbox"/>	2	<input type="checkbox"/>	9	<input type="checkbox"/>	P	3	<input type="checkbox"/>	<input type="checkbox"/>	-	<input type="checkbox"/>
Deepcel Plus Parabolic: Pre-anodized aluminum louver	Body Style: A=Air Supply S=Static	Fixture Width	Ceiling Type: G=Grid (lay-in T bar) F=Flanged (over lap) Z spline and plaster frame T=Slot grid or two-directional concealed T (see options)	Number of Cells: 9-3 rows of 3	Louver Finish: L = Low iridescence Semi-specular (standard) P = Low iridescence Specular W = White Baked Polyester Powder	Dual "V" Reflectors	Lamp Quantity	Lamp Type/ Fixture Length: 2U = T8 17 = T8 2' Lamp (Nominal 24") Note: For Linear T5 Lamp option, consult factory	Voltage: 120, 277 or UNV=120-277	Ballast Type: <20THD S0 * H1 * O3 * H3 * PS -	Options: Add appropriate suffix to catalog no., ie: (C)
DP Standard Deepcel	DY For NYC Code - I.B.E.W. Manufactured										
ND For NYC Code - Local 3 Manufactured 5 1/2" Deep Body											

Options/Accessories

Plaster Frame: Catalog Number: **PF22**
Continuous Row Installation: For F type fixtures, half width flanges are required between fixtures. Order Catalog Number: **2FC TRIM CSP** (each joint).
Radio Interference Filter: To order one RIF per fixture; SUFFIX: **R**.
 To order one RIF per ballast; SUFFIX: **B**.
Electrical Wiring Options: Consult factory.
Air Closure Strip: SUFFIX: **ACS2** (factory installed).
Drywall Kit: Order Catalog Number: **FK92X2**. (Request Folio OA30-10 Rev. A).
Chicago Plenum: SUFFIX: **C**.

Specifications

Performance: In an installation of 3 lamp 31W luminaires in a room cavity ratio of 1, reflectance 80% ceiling, 50% wall, 20% floor, the C.U. shall not be less than .68. To prevent glare the VCP shall be not less than 82 either lengthwise or crosswise (at 100fc level) and the average brightness at 65° shall not exceed 2311 candelas per square meter. To control veiling reflections, luminaire output in the 30°-90° zone shall not be less than 64.8%.
Air Handling (DPA only) side air passages for air supply or air return. Supply air is discharged vertically. Optional side closure strips. Air return is also provided through the lamp compartment through fixture body ends.
Materials: Chassis parts are die-formed code gauge cold rolled steel. Housing is ribbed for rigidity with side rails hemmed over and housing ends turned-in for safe handling. Louver is pre-anodized aluminum.

Specifications (continued)

Finish: Chassis exterior—black baked polyester enamel. Cavity—white baked polyester enamel minimum 86% reflectance. Rust preventative undercoating. **Louver**—low iridescence semi-specular anodized vertical grain aluminum reflector sheet is standard.
Electrical: Thermally protected class "P" ballast C.B.M. approved, non PCB. If K.O. is within 3" of ballast, use wire suitable for at least 90°.
Labels: I.B.E.W. UL and ULC Listed. UL listed for damp locations.
 This product may have a mercury containing lamp.
 Manage in accord with Disposal Laws. See: www.lamprecycle.org

Job Information

Type:

For Factory Technical Information: (978) 657-7600 • Fax (978) 658-0595
 631 Airport Road, Fall River, MA 02720 • (508) 679-8131 • Fax (508) 674-4710
 We reserve the right to change details of design, materials and finish.
 www.lightolier.com © 2009 a Philips Group **Section 2/Folio G51-26 Rev. B**