

Deepcel Plus DPA2G9LS2FT or 22U

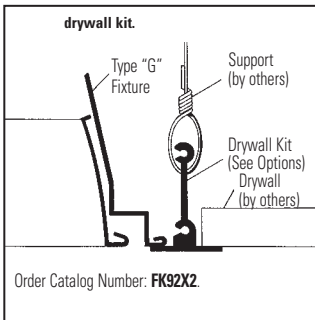
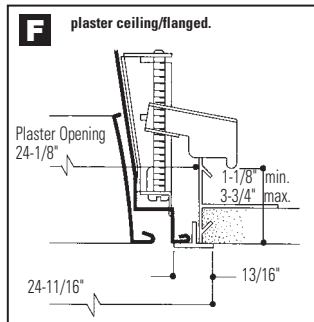
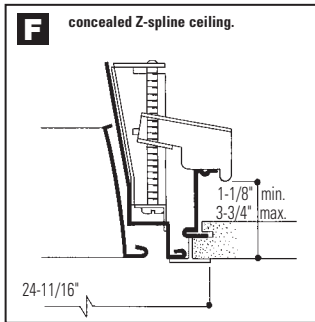
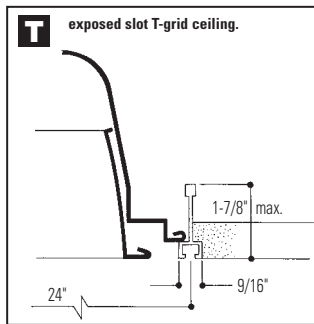
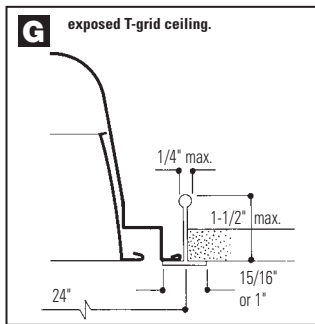
Page 1 of 2

2' x 2' Recessed Fluorescent, 3", 9 Cell Parabolic Louver
Static or Air Supply/Return, 2 Lamp Twin Tube T5 or 1-5/8"U T8

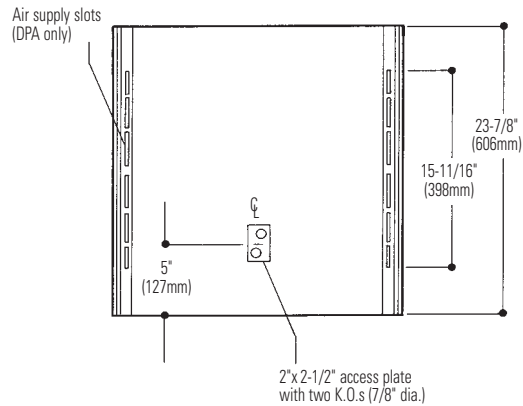
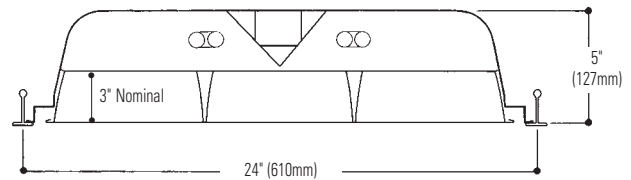
- 5" deep body.
- 74.3% efficient (2 lamp TT5).
- Clean contoured interior.
- Eyeleted heat removal vents in fixture ends.
- One piece housing.
- Black exterior for cooler ballast operating temperature.
- Hemmed over side rails for safe handling.
- Fixture ends turned-in for safe handling.
- Built-in earthquake clips.
- Pre-anodized aluminum parabolic louver.
- Vertical grain louver eliminates reflected lamp images on cross baffle.
- Spring loaded latches.
- 18 gauge steel hinges.
- Louver frame with integral positive light stop.
- Louver has protective film dust guard.
- Construction to meet NYC Code or Chicago Plenum requirements is available.



Mounting Methods



Dimensions



Job Information

Type:

Job Name:

Cat. No.:

Lamp(s):

Volts/Ballast:

Lightolier a Genlyte company

www.lightolier.com

Technical Information: (978) 657-7600 • Fax (978) 658-0595

631 Airport Road, Fall River, MA 02720 • (508) 679-8131 • Fax (508) 674-4710

We reserve the right to change details of design, materials and finish.

© 2007 a Genlyte company

Section 2/Folio G51-22 Rev. A



Deepcel Plus DPA2G9LS2FT or 22U

Page 2 of 2

2' x 2' Recessed Fluorescent, 3", 9 Cell Parabolic Louver
Static or Air/Return, 2 Lamp Twin Tube T5 or 1-5/8"U T8

Photometry

Model No. DPA2G9LS2FT120SB

LER = FP - 58.8 IW - 68.5 BF - 0.86

Comparative yearly lighting energy cost per 1000 lumens = \$4.08

45 Industrial Way
Wilmington, MA 01987
(978) 657-7600

REPORT NO.: G00061 DATE: 03-30-2000
 CATALOG NO.: DPA2G9LS2FT120SB
 LAMP(S): 2 F40/30BK/SPX3, EACH RATED 3150 LUMENS.
 LUMINAIRE: 2X2 TROFFER WITH 3X3 9 CELL LI-SEMI-SPECULAR LOUVER.
 1 COVER AND 2 BLANK LAMPS
 TOTAL C2401120SB
 0.58 AMPS 68.5 WATTS

CANDELA DISTRIBUTION		FLUX		
0.0	22.5	45.0	67.5	90.0
0	1841	1841	1841	1841
5	1835	1835	1836	1840
15	1744	1751	1747	1696
25	1589	1571	1452	1506
35	1373	1299	1385	1592
45	1104	1095	1357	1668
55	748	834	1115	1280
65	233	321	407	316
75	27	32	30	29
85	4	5	6	5
90	0	0	0	0

ZONAL LUMEN SUMMARY

ZONE	LUMENS	%LAMP	%FIXT
0-30	1366	21.7	29.2
0-40	2277	36.1	48.6
0-60	4296	68.2	91.7
0-90	4683	74.3	100.0
90-180	0	0.0	0.0
0-180	4683	74.3	100.0

TOTAL LUMINAIRE EFFICIENCY = 74.3 %
 TOTAL REFLECTANCE OF PAINT = 90.0 %
 CIE TYPE - DIRECT

PLANE : 0-DEG 90-DEG
 SPACING CRITERIA : 1, 2 1, 4
 SHIELDING ANGLES : 23 23
 PLANE : 0-DEG 90-DEG
 LUMINOUS LENGTH : 21.000 21.000

LUMINAIRE DATA IN CANDELA/50 M
 ANGLE AVERAGE AVERAGE
 IN DEG 0-30 45-DEG 90-180
 45 5486 6743 9207
 55 4592 6930 8668
 65 1937 3384 2120
 75 367 407 394
 85 161 242 202

THIS REPORT IS BASED ON PUBLISHED INDUSTRY PROCEDURES - FIELD PERFORMANCE MAY VARY FROM LABORATORY PERFORMANCE.

coefficients of utilization — zonal cavity method

RF	20			20			20			
	RC	80	50	50	30	10	50	30	10	
RW	70	50	30	50	30	10	50	30	10	
room cavity ratio	1	82	79	77	75	73	71	72	70	69
	2	76	70	66	66	63	60	64	61	59
	3	69	62	57	59	55	51	57	53	50
	4	64	56	50	53	48	44	51	47	43
	5	59	50	43	47	42	38	46	41	38
	6	54	45	38	43	37	33	41	37	33
	7	50	40	34	39	33	29	38	33	29
	8	47	37	31	35	30	26	34	30	26
	9	43	34	28	32	27	24	32	27	23
	10	41	31	25	30	25	21	29	25	21

visual comfort probability (VCP) average 100 fc; reflectances 80/50/20

room size	ceiling height	ceiling height				ceiling height			
		8.5	10.0	13.0	16.0	8.5	10.0	13.0	16.0
W	L								
20	20	61	55	53	64	56	49	41	52
20	30	65	59	54	54	61	54	46	42
20	40	68	62	58	56	64	58	51	46
20	60	71	65	61	59	67	61	55	50
30	20	67	60	52	59	64	55	44	52
30	30	70	63	53	51	67	59	48	43
30	40	73	66	58	53	70	63	53	47
30	60	75	69	61	56	72	65	57	51
30	80	77	71	64	59	74	68	60	54
40	20	71	64	57	58	67	61	49	53
40	30	73	67	58	51	70	63	53	45
40	40	76	70	61	53	73	66	57	49
40	60	77	72	64	56	75	69	60	52
40	80	79	74	66	59	76	71	63	55
40	100	80	75	69	62	78	72	65	58
60	30	75	70	61	54	72	66	57	49
60	40	77	72	64	56	75	69	61	52
60	60	79	74	67	59	76	71	63	55
60	80	80	76	69	61	78	73	66	58
60	100	81	77	71	64	79	75	68	61
100	40	78	73	67	60	75	70	64	56
100	60	80	75	70	63	77	73	67	60
100	80	81	77	72	65	79	75	69	62
100	100	82	79	74	67	80	76	71	65

Ordering Information

Explanation of Catalog Number. Example: DPA2G9LS2FT120SBCP

		2		9		S	2				
Deepcel Plus Parabolic: Pre-anodized aluminum louver	Body Style: A=Air Supply S=Static	Fixture Width	Ceiling Type: G= Grid (lay-in T bar) F= Flanged (over lap) Z spline and plaster frame T= Slot grid or two-directional concealed T (see options)	Number of Cells: 9-3 rows of 3	Louver Finish: L = Low iridescence Semi-specular (standard) P = Low iridescence Specular W = White Baked Enamel	Single "V" Reflector	Lamp Quantity	Lamp Type/ Fixture Length: FT = Twin Tube T5 2U = 1-5/8"U T8 (Nominal 24") Note: For Linear T5 Lamp option, consult factory	Voltage: 120, 277 or UNV=120-277	Ballast Type: <20THD <10THD SB * IB * SO * HI * PS - PB -	Options: Add appropriate suffix to catalog no., ie: (CP)
DP	Standard Deepcel								1-2 Lamp Elec. TT5 (40-watt) 1-2 Lamp Elec. T8 (31-watt) LOL T8 Dimming LOL TT5 Dimming	*Instant Start Standard Other dimming options, consult factory.	
DY	For NYC Code - I.B.E.W. Manufactured										
ND	For NYC Code - Local 3 Manufactured 5/8" Deep Body										

Options/Accessories

- Plaster Frame:** Catalog Number: PF22
- Continuous Row Installation:** For F type fixtures, half width flanges are required between fixtures. Order Catalog Number: ZFC TRIM CSP (each joint).
- Radio Interference Filter:** To order one RIF per fixture; SUFFIX: R. To order one RIF per ballast; SUFFIX: B.
- Electrical Wiring Options:** Consult factory.
- Air Closure Strip:** SUFFIX: ACS2 (factory installed).
- Drywall Kit:** Order Catalog Number: FK92X2. (Request Folio OA30-10 Rev. A).
- Chicago Plenum:** SUFFIX: CP.

Specifications

Performance: In an installation of 2 lamp 40W luminaires in a room cavity ratio of 1, reflectance 80% ceiling, 50% wall, 20% floor, the C.U. shall not be less than .79. To prevent glare the VCP shall be not less than 76 either lengthwise or crosswise (at 100fc level) and the average brightness at 65° shall not exceed 3384 candelas per square meter. To control veiling reflections, luminaire output in the 30°-90° zone shall not be less than 70.8%.

Air Handling (DPA only) side air passages for air supply or air return. Supply air is discharged vertically. Optional side closure strips. Air return is also provided through the lamp compartment through fixture body ends.

Specifications (continued)

Materials: Chassis parts are die-formed code gauge cold rolled steel. Housing is ribbed for rigidity with side rails hemmed over and housing ends turned-in for safe handling. Louver is pre-anodized aluminum (Coilzak® or equal).

Finish: Chassis exterior—black baked polyester enamel. Cavity—white baked polyester enamel minimum 86% reflectance. Phosphate undercoating. Louver—low iridescence semi-specular anodized vertical grain aluminum reflector sheet is standard.

Electrical: Thermally protected class "P" ballast C.B.M. approved, non PCB. If K.O. is with-in 3" of ballast, use wire suitable for at least 90°.

Labels: I.B.E.W. UL and ULc Listed.

Job Information Type:

Lightolier a Genlyte company www.lightolier.com
 Technical Information: (978) 657-7600 • Fax (978) 658-0595
 631 Airport Road, Fall River, MA 02720 • (508) 679-8131 • Fax (508) 674-4710
 We reserve the right to change details of design, materials and finish.
 © 2007 a Genlyte company Section 2/Folio G51-22 Rev. A

LIGHTOLIER®