

Deepcel Plus DPA2G16LS2FT or 22U

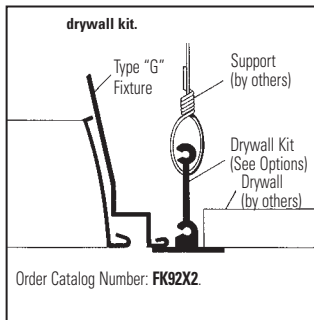
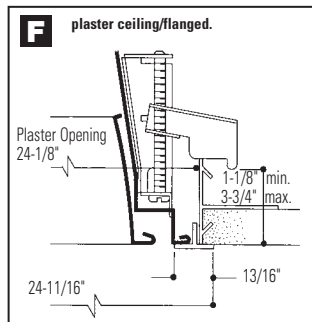
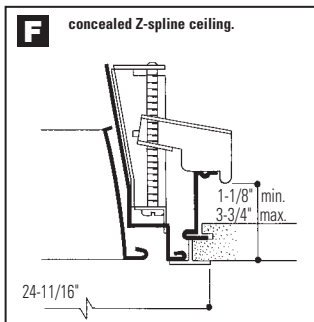
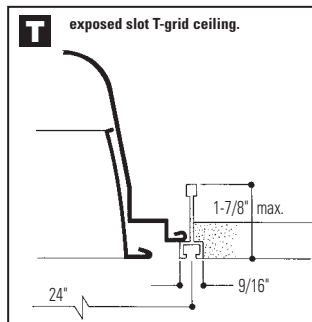
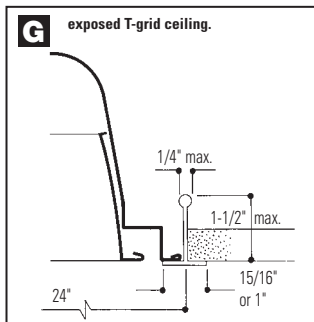
Page 1 of 2

2' x 2' Recessed Fluorescent, 3", 16 Cell Parabolic Louver
Static or Air Supply/Return, 2 Lamp Twin Tube T5 or 1-5/8"U, T8

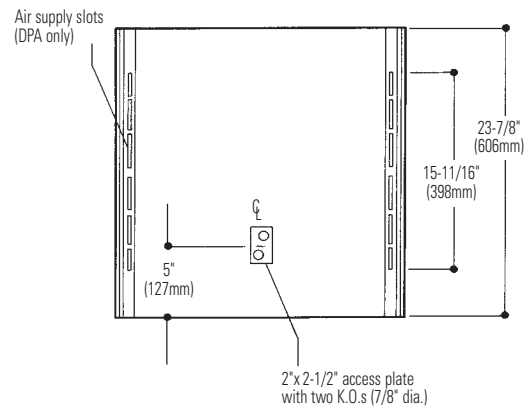
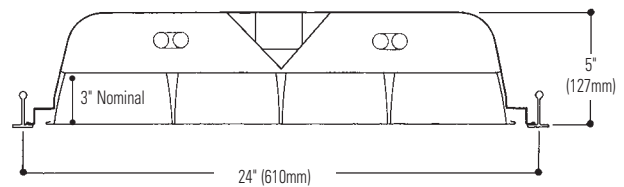
- 5" deep body.
- 69.4% efficient (2 lamp TT5).
- Clean contoured interior.
- Eyeleted heat removal vents in fixture ends.
- One piece housing.
- Black exterior for cooler ballast operating temperature.
- Hemmed over side rails for safe handling.
- Fixture ends turned-in for safe handling.
- Built-in earthquake clips.
- Pre-anodized aluminum parabolic louver.
- Vertical grain louver eliminates reflected lamp images on cross baffle.
- Spring loaded latches.
- 18 gauge steel hinges.
- Louver frame with integral positive light stop.
- Louver has protective film dust guard.
- Construction to meet NYC Code or Chicago Plenum requirements is available.



Mounting Methods



Dimensions



Job Information

Type:

Job Name:

Cat. No.:

Lamp(s):

Volts/Ballast:

Lightolier a Genlyte company

www.lightolier.com

Technical Information: (978) 657-7600 • Fax (978) 658-0595

631 Airport Road, Fall River, MA 02720 • (508) 679-8131 • Fax (508) 674-4710

We reserve the right to change details of design, materials and finish.

© 2007 a Genlyte company

Section 2/Folio G51-38 Rev. A

LIGHTOLIER



Deepcel Plus DPA2G16LS2FT or 22U

2' x 2' Recessed Fluorescent, 3", 16 Cell Parabolic Louver Static or Air/Return, 2 Lamp Twin Tube T5 or 1-5/8"U, T8

Photometry

Model No. DPA2G16LS2FT120SB

LER = FP - 54.7 IW - 68.8 BF - 0.86
Comparative yearly lighting energy cost per 1000 lumens = \$4.39

TESTING LABORATORY
45 Industrial Way
Wilmington, MA 01887
(978) 657-7600

REPORT NO.: G00062 DATE: 03-31-2000
CATALOG NO.: DPA2G16LS2FT120SB
LAMP(S): 2 F40 / 30BK / SPX35. EACH RATED: 3150 LUMENS.
LUMINAIRE: 2x2 TROFFER WITH 4X4 LI-16 CELL SEMI-SPECULAR LOUVER.
1 COVER AND 2 BIXAK LAMPS
TRIM: CHAB120RH
0.58 AMPS 68.8 WATTS

CANDELA DISTRIBUTION

CANDELA DISTRIBUTION		FLUX			
0.0	22.5	45.0	67.5	90.0	
0	1651	1651	1651	1651	
5	1650	1647	1636	1630	1626
15	1560	1546	1515	1500	1488
25	1424	1389	1474	1652	1745
35	1248	1271	1546	1885	2069
45	1013	1134	1578	1876	2058
55	670	797	942	893	788
65	99	113	124	113	109
75	22	23	23	23	25
85	4	4	4	4	5
90	0	0	0	0	0

ZONAL LUMEN SUMMARY

ZONE	LUMENS	%LAMP	%FIXT
0-30	1300	20.6	29.7
0-45	2300	36.5	52.6
0-60	4192	66.7	96.0
0-90	4373	69.4	100.0
90-180	0	0.0	0.0
0-180	4373	69.4	100.0

TOTAL LUMINAIRE EFFICIENCY = 69.4 %
TOTAL REFLECTANCE OF PAINT = 90.0 %
CIE TYPE - DIRECT

PLANE : 0-DEG 90-DEG
SPACING CRITERIA : 1.2 1.9
SHIELDING ANGLES : 35 35
PLANE : 0-DEG 90-DEG
LUMINOUS LENGTH : 21.000 21.000

LUMINANCE DATA IN CANDELA/SQ M
ANGLE AVERAGE AVERAGE AVERAGE
IN DEG 0-DEG 45-DEG 90-DEG
45 5063. 7642. 10226.
52 4194. 5770. 4827.
65 823. 1031. 906.
75 299. 312. 312.
85 161. 161. 161.

THIS REPORT IS BASED ON PUBLISHED INDUSTRY PROCEDURES.
FIELD PERFORMANCE MAY VARY FROM LABORATORY PERFORMANCE.

coefficients of utilization — zonal cavity method

	20			50			10		
	RF	RC	RW	RF	RC	RW	RF	RC	RW
1	77	75	72	70	68	67	68	66	65
2	71	67	63	63	60	57	61	58	56
3	66	59	55	56	53	49	55	51	49
4	61	53	48	51	46	43	49	45	42
5	56	48	42	46	41	37	44	40	37
6	52	43	37	41	36	33	40	36	32
7	48	39	33	37	32	29	36	32	29
8	44	35	30	34	29	26	33	29	26
9	41	32	27	31	26	23	31	26	23
10	39	30	25	29	24	21	28	24	21

visual comfort probability (VCP) average 100 fc; reflectances 80/50/20

room size	ceiling height				ceiling height					
	W	L	8.5	10.0	13.0	16.0	8.5	10.0	13.0	16.0
20	20	20	75	66	58	63	71	63	55	50
20	30	40	77	70	62	60	74	67	60	52
20	40	60	79	72	66	63	77	70	64	56
20	60	80	81	74	69	66	79	72	67	60
30	20	30	79	72	61	61	77	69	59	52
30	30	40	81	74	65	59	79	72	63	54
30	40	60	82	76	69	62	81	74	67	57
30	60	80	83	78	71	65	82	76	70	61
30	80	100	84	79	73	67	83	78	72	64
40	20	30	81	75	66	63	79	72	64	55
40	30	40	83	77	69	61	81	75	68	57
40	40	60	84	79	72	64	83	77	71	60
40	60	80	85	80	74	67	84	79	73	63
40	80	100	86	81	76	69	85	80	75	66
40	100	100	87	82	78	71	86	81	77	68
60	30	40	84	78	72	65	82	77	70	61
60	40	60	85	80	74	67	84	79	73	64
60	60	80	86	81	76	69	85	80	75	66
60	80	100	86	83	77	71	86	81	77	69
60	100	100	87	84	79	73	86	82	78	71
100	40	60	85	80	75	69	84	78	74	66
100	60	80	86	82	77	72	85	80	76	69
100	80	100	87	83	79	74	86	82	78	71
100	100	100	88	84	81	75	87	83	80	73

Ordering Information

Explanation of Catalog Number. Example: DPA2G16LS2FT120SBPC

DP	2	16	S	2	V	2	120, 277 or UNV=120-277	Options: Add appropriate suffix to catalog no., ie: (CP)	
Deepcel Plus Parabolic: Pre-anodized aluminum louver	Body Style: A=Air Supply S=Static	Fixture Width	Ceiling Type: G= Grid (lay-in T bar) F= Flanged (over lap) Z spline and plaster frame T= Slot grid or two-directional concealed T (see options)	Number of Cells: 16=4 rows of 4	Louver Finish: L = Low iridescence Semi-specular (standard) P = Low iridescence Specular W = White Baked Enamel	Single "V" Reflector	Lamp Quantity	Lamp Type/ Fixture Length: FT = Twin Tube T5 2U = 1-5/8"U Lamp T8 (Nominal 24") Note: For Linear T5 Lamp option, consult factory	Ballast Type: <20THD SB * <10THD IB * SO * HI * PS PB
Standard Deepcel								1-2 Lamp Elec. TT5 (40 Watt) 1-2 Lamp Elec. T8 (31 Watt) LOL T8 Dimming LOL TT5 Dimming *Instant Start Standard Other dimming options. Consult factory. NOTE: For TT5 UNV , you must use IB Ballast Code. For T8 UNV , you must use HI Ballast Code.	
For NYC Code - I.B.E.W. Manufactured									
For NYC Code - Local 3 Manufactured 5 1/2" Deep Body									

Options/Accessories

- Plaster Frame:** Catalog Number: PF22
- Continuous Row Installation:** For F type fixtures, half width flanges are required between fixtures. Order Catalog Number: ZFC TRIM CSP (each joint).
- Radio Interference Filter:** To order one RIF per fixture; SUFFIX: R. To order one RIF per ballast; SUFFIX: B
- Electrical Wiring Options:** Consult factory.
- Air Closure Strip:** SUFFIX: ACS2 (factory installed).
- Drywall Kit:** Order Catalog Number: FK92X2. (Request Folio OA30-10 Rev. A).
- Chicago Plenum:** SUFFIX: CP.

Specifications

Performance: In an installation of 2 lamp 40W luminaires in a room cavity ratio of 1, reflectance 80% ceiling, 50% wall, 20% floor, the C.U. shall not be less than .75. To prevent glare the VCP shall be not less than 85 either lengthwise or crosswise (at 100fc level) and the average brightness at 65° shall not exceed 1031 candelas per square meter. To control veiling reflections, luminaire output in the 30°-90° zone shall not be less than 70.3%.

Air Handling (DPA only) side air passages for air supply or air return. Supply air is discharged vertically. Optional side closure strips. Air return is also provided through the lamp compartment through fixture body ends.

Specifications (continued)

Materials: Chassis parts are die-formed code gauge cold rolled steel. Housing is ribbed for rigidity with side rails hemmed over and housing ends turned-in for safe handling. Louver is pre-anodized aluminum (Coilzak® or equal).

Finish: Chassis exterior—black baked polyester enamel. Cavity—white baked polyester enamel minimum 86% reflectance. Phosphate undercoating. Louver—low iridescence semi-specular anodized vertical grain aluminum reflector sheet is standard.

Electrical: Thermally protected class "P" ballast C.B.M. approved, non PCB. If K.O. is with-in 3" of ballast, use wire suitable for at least 90°.

Labels: I.B.E.W. UL and UL Listed.

Job Information

Type:

Lightolier a Genlyte company
Technical Information: (978) 657-7600 • Fax (978) 658-0595
631 Airport Road, Fall River, MA 02720 • (508) 679-8131 • Fax (508) 674-4710
We reserve the right to change details of design, materials and finish.
© 2007 a Genlyte company **Section 2/Folio G51-38 Rev. A**

LIGHTOLIER