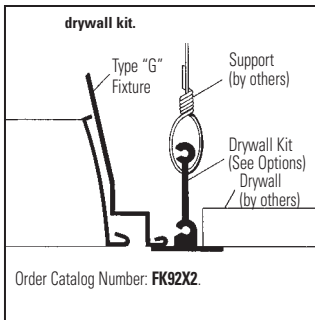
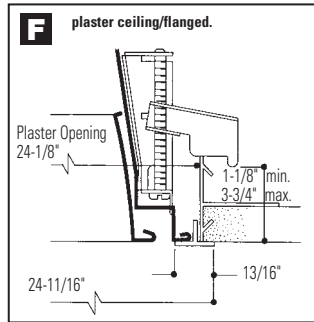
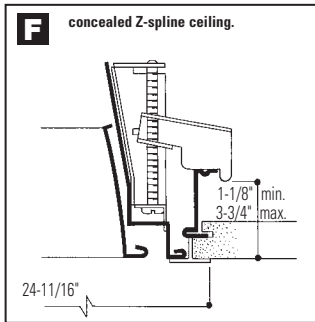
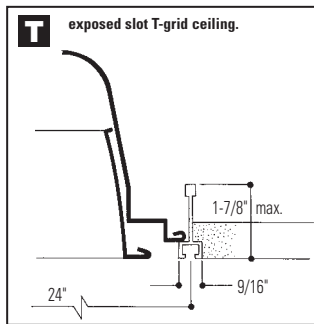
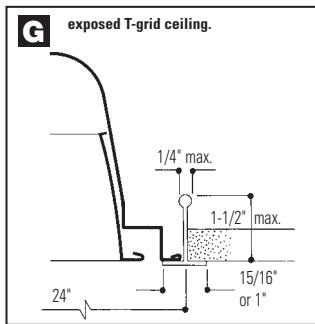


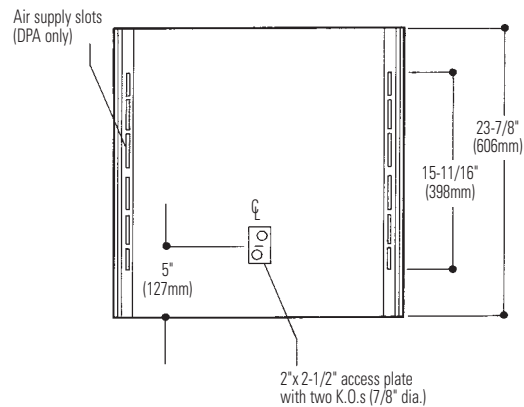
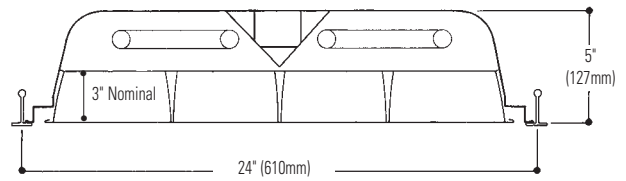
- 5" deep body.
- 61.6% efficient.
- Clean contoured interior.
- Eyeleted heat removal vents in fixture ends.
- One piece housing.
- Black exterior for cooler ballast operating temperature.
- Hemmed over side rails for safe handling.
- Fixture ends turned-in for safe handling.
- Built-in earthquake clips.
- Pre-anodized aluminum parabolic louver.
- Vertical grain louver eliminates reflected lamp images on cross baffle.
- Spring loaded latches.
- 18 gauge steel hinges.
- Louver frame with integral positive light stop.
- Louver has protective film dust guard.
- Construction to meet NYC Code or Chicago Plenum requirements is available.



## Mounting Methods



## Dimensions



## Job Information

## Type:

**Job Name:**

**Cat. No.:**

**Lamp(s):**

**Volts/Ballast:**

For Factory Technical Information: (978) 657-7600 • Fax (978) 658-0595  
631 Airport Road, Fall River, MA 02720 • (508) 679-8131 • Fax (508) 674-4710  
We reserve the right to change details of design, materials and finish.  
www.lightolier.com © 2009 a Philips Group

09/09


**Section 2/Folio G51-36 Rev. B**

### Photometry

Model No. DPA2G16LS26U120S0

LER = FP - 49.4 IW - 57.5 BF - 0.87

Comparative yearly lighting energy cost per 1000 lumens = \$4.86



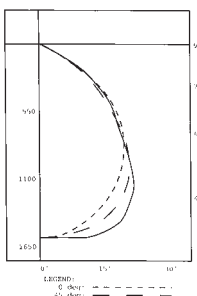
GI TESTING  
LABORATORY

45 Industrial Way  
Wilmington, MA 01897  
(978) 657-7600

REPORT NO.: G00030      DATE: 02-24-2000  
 CATALOG NO.: DPA2G16LS26U120S0  
 LAMP(S): 2 T8 U6, EACH RATED 2750 LUMENS.  
 LUMINAIRE: 2X2 TROFFER WITH 4X4 16 CELL LI SEMISPECULAR LOUVER.  
 0.48 AMPS 57.5 WATTS

CANDELA DISTRIBUTION      FLUX

0	0	22.5	45.0	67.5	90.0	
0	1573	1573	1573	1573	1573	1573
5	1567	1566	1568	1575	1578	150
15	1480	1495	1544	1599	1618	437
25	1353	1390	1459	1535	1575	673
35	1178	1224	1274	1308	1331	786
45	951	966	907	862	822	706
55	600	570	505	530	566	486
65	86	93	104	110	110	125
75	16	17	19	19	19	20
85	2	3	3	3	3	3
90	0	0	0	0	0	0



ZONAL LUMEN SUMMARY

ZONE	LUMENS	%LAMP	%FIXT
0-30	1260	22.9	37.2
0-40	2047	37.2	60.4
0-60	3238	58.9	95.6
0-90	3386	61.6	100.0
90-180	0	0.0	0.0
0-180	3386	61.6	100.0

TOTAL LUMINAIRE EFFICIENCY = 61.6 %  
 TOTAL REFLECTANCE OF PAINT = 90.0 %

CIE TYPE - DIRECT

PLANE: 0-DEG 90-DEG  
 SPACING CRITERIA: 1.2 1.3  
 SHIELDING ANGLES: 35 35  
 PLANE: 0-DEG 90-DEG  
 LUMINOUS LENGTH: 21.090 21.000

LUMINANCE DATA IN CANDELA/SQ M  
 ANGLE AVERAGE AVERAGE

IN DEG	0-DEG	45-DEG	90-DEG
45	4725.	4507	4432.
55	3675.	3093.	3467.
65	715.	865.	914.
75	217.	244.	258.
85	81.	121.	121.

THIS REPORT IS BASED ON PUBLISHED INDUSTRY PROCEDURES - FIELD PERFORMANCE MAY VARY FROM LABORATORY PERFORMANCE.

### coefficients of utilization — zonal cavity method

	20			20			20			
	RF	RC	RW	RF	RC	RW	RF	RC	RW	
room cavity ratio	1	69	66	64	63	61	60	60	59	58
	2	64	60	56	57	54	52	55	52	51
	3	59	54	50	51	48	45	49	47	44
	4	55	48	44	46	42	40	45	42	39
	5	51	44	39	42	38	35	41	37	35
	6	47	40	35	38	34	31	37	34	31
	7	44	36	31	35	31	28	34	30	28
	8	41	33	29	32	28	25	31	28	25
	9	38	31	26	30	26	23	29	25	23
	10	36	28	24	28	24	21	27	23	21

### visual comfort probability (VCP) average 100 fc; reflectances 80/50/20

room size	ceiling height	ceiling height				ceiling height					
		W	L	8.5	10.0	13.0	16.0	8.5	10.0	13.0	16.0
20	20	20	20	79	73	66	70	79	72	67	72
20	30	20	30	82	75	70	66	81	75	69	65
20	40	20	40	84	78	73	69	83	77	73	68
20	60	20	60	85	80	76	72	84	79	75	71
30	20	30	20	83	77	69	70	83	77	69	71
30	30	30	30	85	79	72	66	84	79	72	66
30	40	30	40	86	81	75	69	86	81	74	68
30	60	30	60	87	83	77	72	87	82	77	71
40	20	40	20	87	83	79	74	87	84	78	73
40	30	40	30	84	80	73	71	84	80	74	72
40	40	40	40	86	81	76	68	86	81	75	68
40	60	40	60	87	83	78	71	87	83	77	70
40	80	40	80	88	84	80	73	88	84	79	72
40	100	40	100	88	84	81	75	88	85	81	74
60	30	60	30	87	82	77	71	86	82	77	71
60	40	60	40	88	84	79	73	87	84	79	73
60	60	60	60	89	85	81	75	88	85	81	74
60	80	60	80	89	85	82	77	89	86	82	76
60	100	60	100	89	86	83	79	89	86	83	78
100	40	100	40	88	84	81	75	87	84	80	74
100	60	100	60	89	85	82	77	88	85	81	76
100	80	100	80	89	86	83	79	89	86	83	78
100	100	100	100	89	86	84	80	89	86	84	80

### Ordering Information

Explanation of Catalog Number. Example: DPA2G16LS26UUNVHI

		<b>2</b>		<b>16</b>		<b>S</b>		<b>2</b>	<b>6U</b>			-	
<b>Deepcel Plus Parabolic:</b> Pre-anodized aluminum louver	<b>Body Style:</b> A=Air Supply S=Static	<b>Fixture Width</b>	<b>Ceiling Type:</b> G=Grid (lay-in T bar) F=Flanged (over lap) Z spline and plaster frame T=Slot grid or two-directional concealed T (see options)	<b>Number of Cells:</b> 16=4 rows of 4	<b>Louver Finish:</b> L = Low iridescence Semi-specular (standard) P = Low iridescence Specular W = White Baked Polyester Powder	<b>Single "V" Reflector</b>	<b>Lamp Quantity</b>	<b>Lamp Type/ Fixture Length:</b> 6"U Lamp T8 (Nominal 24") <b>Note:</b> For Linear T5 Lamp option, consult factory	<b>Voltage:</b> 120, 277 or UNV=120-277	<b>Ballast Type:</b> <20THD SO* HI* PS -	1-2 Lamp Elec. T8 LOL T8 Dimming *Instant Start Standard Other dimming options. Consult factory. <b>NOTE:</b> For T8 UNV, you must use HI Ballast Code.	<b>Options:</b> Add appropriate suffix to catalog no., ie: (C)	
<b>DP</b>	Standard Deepcel												
<b>DY</b>	For NYC Code - I.B.E.W. Manufactured												
<b>ND</b>	For NYC Code - Local 3 Manufactured 5 1/2" Deep Body												

### Options/Accessories

**Plaster Frame:** Catalog Number: PF2.  
**Continuous Row Installation:** For F type fixtures, half width flanges are required between fixtures. Order Catalog Number: ZFC TRIM CSP (each joint).  
**Radio Interference Filter:** To order one RIF per fixture; SUFFIX: R.  
 To order one RIF per ballast; SUFFIX: B.  
**Electrical Wiring Options:** Consult factory.  
**Air Closure Strip:** SUFFIX: ACS2 (factory installed).  
**Drywall Kit:** Order Catalog Number: FK92X2. (Request Folio OA30-10 Rev. A).  
**Chicago Plenum:** SUFFIX: C.

### Specifications

**Performance:** In an installation of 2 lamp 31W luminaires in a room cavity ratio of 1, reflectance 80% ceiling, 50% wall, 20% floor, the C.U. shall not be less than .66. To prevent glare the VCP shall be not less than 74 either lengthwise or crosswise (at 100fc level) and the average brightness at 65° shall not exceed 914 candelas per square meter. To control veiling reflections, luminaire output in the 30°-90° zone shall not be less than 62.8%.  
**Air Handling** (DPA only) side air passages for air supply or air return. Supply air is discharged vertically. Optional side closure strips. Air return is also provided through the lamp compartment through fixture body ends.  
**Materials:** Chassis parts are die-formed code gauge cold rolled steel. Housing is ribbed for rigidity with side rails hemmed over and housing ends turned-in for safe handling. Louver is pre-anodized aluminum.

### Specifications (continued)

**Finish:** Chassis exterior—black baked polyester enamel. **Cavity**—white baked polyester enamel minimum 86% reflectance. Rust preventative undercoating. **Louver**—low iridescence semi-specular anodized vertical grain aluminum reflector sheet is standard.  
**Electrical:** Thermally protected class "P" ballast C.B.M. approved, non PCB. If K.O. is within 3" of ballast, use wire suitable for at least 90°.  
**Labels:** I.B.E.W. UL and ULc Listed. UL listed for damp locations. This product may have a mercury containing lamp. Manage in accord with Disposal Laws. See: www.lamprecycle.org

### Job Information

### Type:

For Factory Technical Information: (978) 657-7600 • Fax (978) 658-0595  
 631 Airport Road, Fall River, MA 02720 • (508) 679-8131 • Fax (508) 674-4710  
 We reserve the right to change details of design, materials and finish.  
 www.lightolier.com © 2009 a Philips Group **Section 2/Folio G51-36 Rev. B**

Lightolier is a Philips group brand

