

DMNG-USB-NA

RS485 DyNet to USB Interface

Page 1 of 2

The Philips Dynalite DMNG-USB-NA provides an interface between the lighting control network and a PC running commissioning or end user software. The device is suitable for temporary connection during commissioning of the system, and for permanent installation the housing is in a small stand alone enclosure that is an ideal size for installation behind racked equipment. The device is powered from the DyNet network and does not require to be supplied by mains voltage.

Technical Data



Supply

DyNet DC Load: max. 20mA@24VDC

Control IO

1 x RS485 DyNet serial port

1 x USB serial port

RS485 Port Connections

SHIELD, GND, D-, D+, +24V

screw terminal: 1 x 14 AWG or 2 x 18

AWG max. conductor size

USB Connections

1 x USB type B connector, supplied with
3.3' long USB patchlead

User Controls

USB status LED

RS485 status LED

USB Driver Compatibility

Windows Vista

Windows XP

Windows 2000

Compliance

FCC, ICES, RoHS Compliant

Operating Environment

32° to 122°F (0° to 50°C) ambient temp

0% to 90% RH non condensing

Construction

ABC Plastic Enclosure

Dimensions

H 0.9" x W 2.0" x D 3.5"

Weight

Packed weight 0.3 lbv

Job Information Type:

Job Name:

Cat. No.:

Notes:

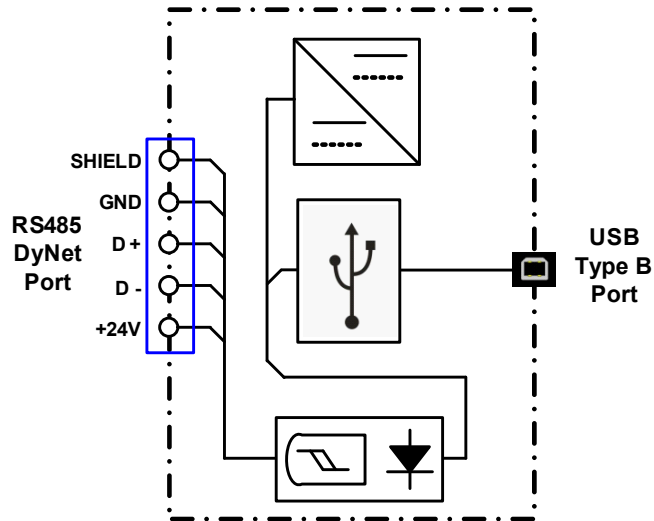
PHILIPS

sense and simplicity

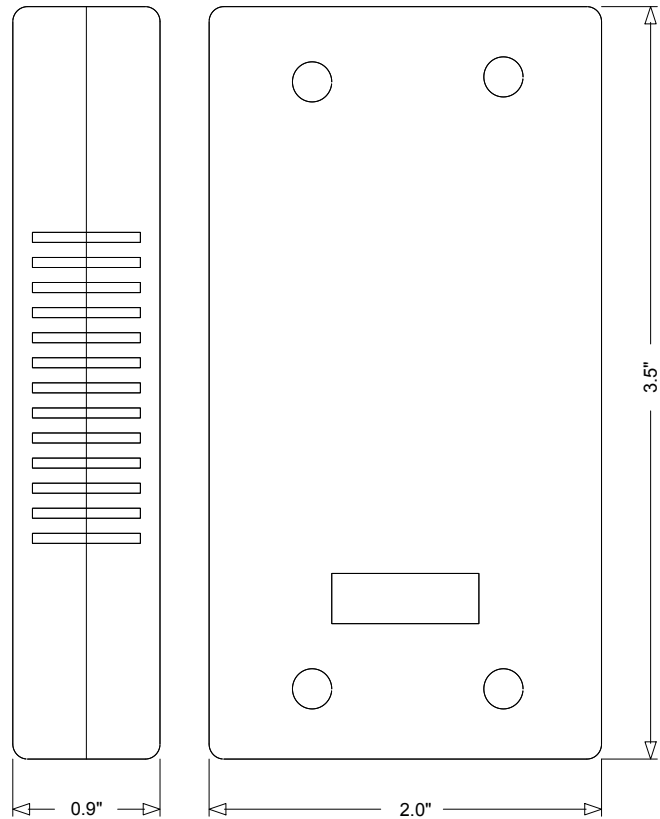
DMNG-USB-NA

RS485 DyNet to USB Interface

Electrical Diagram



Mounting Dimensions



Ordering Information

Type	Description	Quantity
DMNG-USB-NA	RS485 DyNet to USB Interface	1



Philips Lighting Controls
 e: controls.support@philips.com
 t: 1-800-526-2731
 w: www.lightolier.com

DMNG-USB-NA September 2, 2010

Specifications are subject to change without notice.
 © Koninklijke Philips Electronics N.V., 2010. All rights reserved.

Job Information Type: