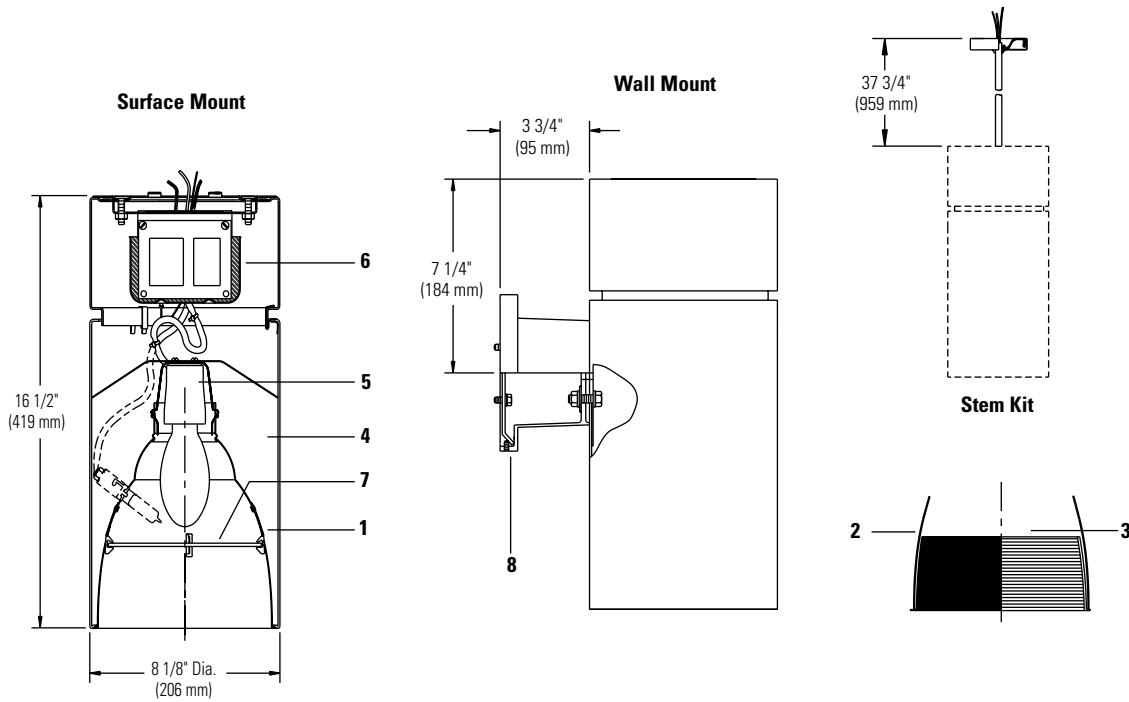


Calculite® H.I.D. Surface Cylinder **DL7V/CS8V**



Reflector Trim		Cylinder Housing Kit		Lamp (Coated)
DL7VCL	Specular Clear	Surface Mount	Wall Mount	70W ED17, BD17 Metal Halide (Enclosed)
DL7VBK	Specular Black Alzak®	CS8V70HG	CW8V70HG	
DL7VMG	Black Multigroove			

Features

- Reflector:** 16 ga. Specular Alzak® aluminum, (with UV resistant, non-fading finish), 45° visual cutoff to lamp and lamp image.
- Black Cone:** Specular black Alzak® aluminum (with UV resistant, non-fading finish). Permanently fastened to specular clear reflector.
- Multi-Groove Baffle:** One piece seamless aluminum, sharply detailed concentric rings, black finish. Permanently fastened to specular clear reflector.
- Housing Cylinder:** White seamless aluminum with groove designed to minimize visual appearance while providing adequate ventilation to maximize light output and lamp life. Returned edge precisely seats reflector without visible hardware. Painted white finish.
- Socket:** Medium base pulse rated porcelain socket with nickel plated screw shell.
- Magnetic Ballast:** Triple tap 120/277/347V, high power factor, encased and filled with a special thermally conductive insulation material.
- Lamp Guard:** High heat resistant glass (as required by lamp manufacturer).
- Back Plate:** Cast aluminum, suitable for mounting over 4" octagon outlet box.

Options and Accessories

Stem Kit: FACSA36 Provided with 1/2" dia. Stem and 4 1/2" dia. Canopy. Self-aligning swivel provides max. 40° vertical tilting. Installs over 4" octagonal outlet box. Stem can be cut to length on site. Matte white finish.

Supplementary Lighting: Add **S** suffix to Cylinder Housing Kit and Reflector Trim.

Electrical

UL listed for supply conductors. Cylinders are suitable for 40°C high ambient application.

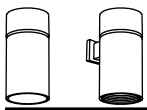
Ballast	Voltage	ANSI Code	Input Watts	Max. Amps.
70W MH	120V	M98	95	1.90
70W MH	277V	M98	95	0.85
70W MH	347V	M98	95	0.65

Labels

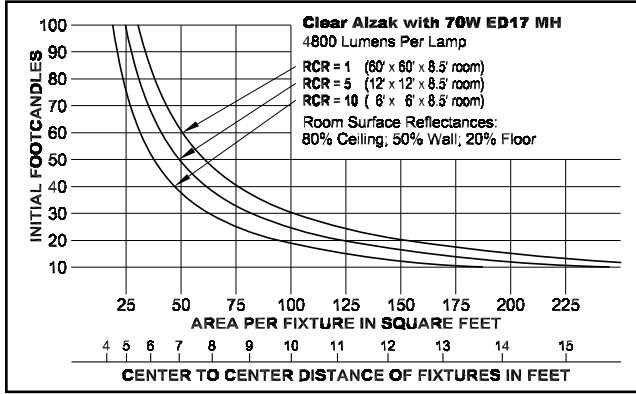
UL listed for damp locations, I.B.E.W.

Alzak® is a registered trademark of ALCOA.

Job Information	Type:
Job Name:	
Cat. No.:	
Lamp(s):	
Notes:	

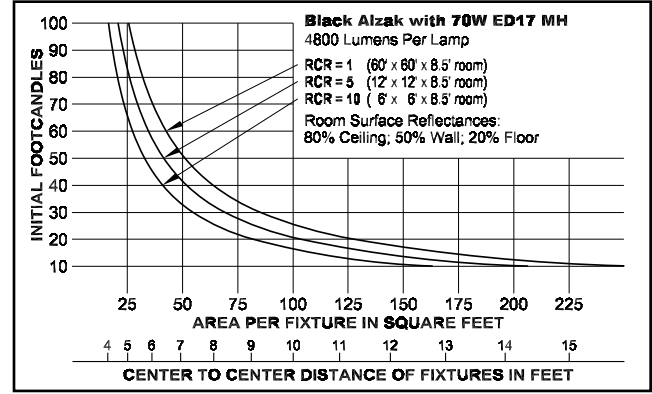


Clear Cone



Use quick calculator chart to determine spacing of luminaires for desired level of illumination.

Black Cone



Use quick calculator chart to determine spacing of luminaires for desired level of illumination.

		Coefficients of Utilization																	
		% Effective Ceiling Cavity Reflectance																	
		80			70			50			30			10			0		
		% Wall Reflectance																	
		50	30	10	50	30	10	50	30	10	50	30	10	50	30	10	50	30	10
Room Cavity Ratio	1	.63	.62	.61	.62	.61	.60	.60	.59	.58	.57	.57	.56	.56	.55	.55	.54		
	2	.60	.58	.56	.59	.57	.55	.57	.55	.54	.55	.54	.53	.54	.53	.52	.51		
	3	.56	.54	.52	.56	.53	.52	.54	.52	.51	.53	.51	.50	.52	.50	.49	.49		
	4	.53	.51	.49	.53	.50	.49	.52	.50	.48	.51	.49	.47	.50	.48	.47	.46		
	5	.51	.48	.46	.50	.47	.46	.49	.47	.45	.48	.46	.45	.47	.46	.44	.44		
	6	.48	.45	.43	.48	.45	.43	.47	.45	.43	.46	.44	.43	.45	.44	.42	.42		
	7	.46	.43	.41	.45	.42	.40	.45	.42	.40	.44	.42	.40	.43	.41	.40	.39		
	8	.43	.40	.38	.43	.40	.38	.42	.40	.38	.42	.39	.38	.41	.39	.38	.37		
	9	.41	.38	.36	.41	.38	.36	.40	.37	.36	.40	.37	.36	.39	.37	.35	.35		
	10	.39	.36	.34	.38	.36	.34	.38	.35	.34	.38	.35	.34	.37	.35	.34	.33		

20% Floor Cavity Reflectance

		Coefficients of Utilization																	
		% Effective Ceiling Cavity Reflectance																	
		80			70			50			30			10			0		
		% Wall Reflectance																	
		50	30	10	50	30	10	50	30	10	50	30	10	50	30	10	50	30	10
Room Cavity Ratio	1	.53	.51	.50	.52	.51	.91	.50	.49	.49	.48	.48	.47	.47	.46	.46	.45		
	2	.50	.48	.47	.49	.48	.87	.48	.47	.46	.47	.46	.45	.45	.45	.44	.43		
	3	.48	.45	.44	.47	.45	.84	.46	.45	.43	.45	.44	.43	.44	.43	.42	.41		
	4	.45	.43	.42	.45	.43	.82	.44	.42	.41	.43	.42	.41	.42	.41	.40	.40		
	5	.43	.41	.39	.43	.41	.79	.42	.40	.39	.41	.40	.39	.41	.39	.38	.38		
	6	.41	.39	.37	.41	.39	.78	.40	.38	.37	.40	.38	.37	.39	.38	.37	.36		
	7	.39	.37	.35	.39	.37	.76	.38	.37	.35	.38	.36	.35	.37	.36	.35	.34		
	8	.37	.35	.34	.37	.35	.74	.37	.35	.33	.36	.35	.33	.36	.34	.33	.33		
	9	.36	.33	.32	.35	.33	.73	.35	.33	.32	.35	.33	.31	.34	.33	.31	.31		
	10	.34	.32	.30	.34	.32	.30	.33	.31	.30	.33	.31	.30	.33	.31	.30	.29		

20% Floor Cavity Reflectance

Job Information **Type:**

Lightolier a Genlyte Thomas Company www.lightolier.com
 631 Airport Road, Fall River, MA 02720 • (508) 679-8131 • Fax (508) 674-4710
 We reserve the right to change details of design, materials and finish.
 © 2002 Genlyte Thomas Group LLC (Lightolier Division) • A0902