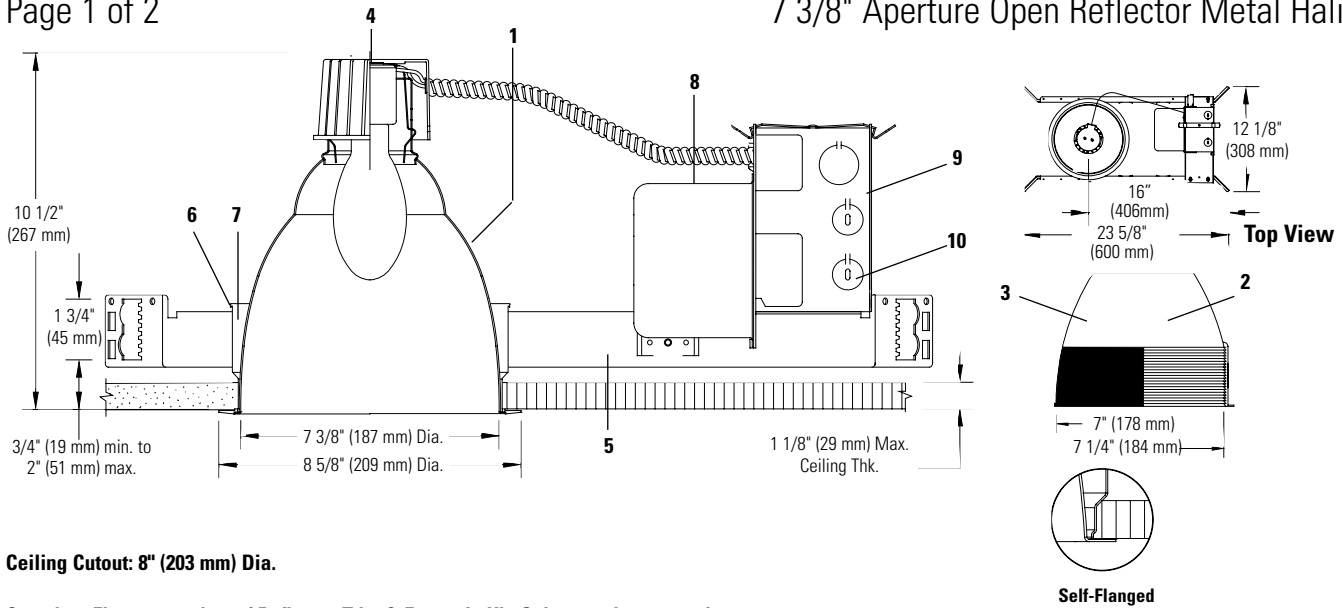


Calculite® H.I.D. Open Downlight DL7A

Page 1 of 2

7 3/8" Aperture Open Reflector Metal Halide/HPS



Ceiling Cutout: 8" (203 mm) Dia.

Complete Fixture consists of Reflector Trim & Frame-In Kit. Select each separately.

Reflector Trim	Frame-In Kit	Lamp
DL7A CLW Specular Clear, White Self-Flange	DL7A 70HC	70W ED17 (Coated) Open Metal Halide
DL7A CLP Specular Clear, Polished Self-Flange	DL7A 10HC	100W ED17 (Coated) Open Metal Halide
DL7A CL Specular Clear, White Trim Ring	DL7A 15HC	150W ED17 (Coated) Open Metal Halide
DL7A MG Multi-Groove, White Trim Ring	DL7A 70SA	70W ED17/B17 (Diffuse) HPS
DL7A BK Specular Black, White Trim Ring	DL7A 10SA	100W ED17/B17 (Diffuse) HPS

Features

- Reflector:** Specular clear Alzak® aluminum (with U.V. resistant, non fading finish), 16 ga. 45° visual cut-off to lamp and lamp image. Reflector supplied with self-flanged or white molded trim ring (field paintable). For other finishes, consult factory.
- Multi-Groove Baffle:** One piece seamless aluminum. Sharply detailed concentric rings, black finish. Permanently fastened to specular clear reflector.
- Black Cone:** Specular black Alzak® aluminum (with U.V. resistant, non fading finish). Permanently fastened to specular clear reflector.
- Socket Cup:** Heat-dissipating, die-cast aluminum with medium base pulse rated porcelain socket with nickel plated screw shell. Special socket design accepts only open fixture metal halide lamps. Positive locking, tool-less attachment to reflector assures proper optical alignment of lamp.
- Mounting Frame:** Die-formed steel, 16 ga. vertically oriented for maximum rigidity. Comes with 4 mounting brackets to accept standard 3/4" or 1 1/2" lathing channels (by others), 1/2" EMT tubing (by others) or optional Lightolier mounting bars (1950 or 1951).
- Mounting Ring:** Die-formed steel, 20 ga. Designed for vertical adjustment from inside of fixture, black finish.
- Retaining Springs:** Rust resistant springs simplify reflector/housing removal for inspection and maintenance.
- Ballast/Junction Box Assembly:** Ballast and splice box on 16 ga. plate. Ballast assembly is accessible from below, without tools, for inspection and replacement.
- Junction Box:** 16 ga. steel. Can be inspected from below. UL listed for maximum of (8) No. 12 AWG, 90°C through branch circuit conductors.
- Thermal Protector:** Meets NEC and UL requirements. Thermal insulation shall not be installed within 3" (76mm) of the recessed fixture enclosure, wiring compartment, or ballast, and shall not be so installed above the fixture so as to entrap heat and prevent the free circulation of air.

Electrical

Ballast: 120/277V, magnetic, lag type high reactance autotransformer, high power factor, encased and filled with a special thermally conductive insulation material for heat dissipation and quiet operation.

Electrical (continued)

Ballast	ANSI Code	Voltage	Max Amps	Input Watts
70W MH	M98	120/277	1.90/0.80	95
100W MH	M90	120/277	2.60/1.15	130
150W MH	M102	120/277	3.65/1.58	185
70W HPS	S62	120/277	1.45/0.65	94
100W HPS	S54	120/277	2.20/0.95	128

Options and Accessories

- Mounting Bars:** 1950 - 18" set of (2), 1951 - 27" set of (2).
T-Bar Anchor Clips: 1956 (set of 4). For use with mounting bars.
Slope Ceiling Adapter: 7926 See Spec. Sheet SCA.
Auxiliary: Add suffix **A** to Frame-In Kit and Reflector Trim. See Spec. Sheet "A".
Emergency: Add suffix **E** to Frame-In Kit and Reflector Trim. See Spec. Sheet "E".
Fuse: Add suffix **F1** or **F2** to Frame-In Kit (F1=120V, F2=277V)
Chicago Air Plenum: Add **LC** to Frame-In Kit (150W is not compatible)

Labels

UL (Suitable for Damp Locations), CSA, I.B.E.W.

Alzak® is a registered trademark of ALCOA.

Job Information	Type:
Job Name:	
Cat. No.:	
Lamp(s):	
Notes:	

Lightolier a Genlyte Thomas Company www.lightolier.com
 631 Airport Road, Fall River, MA 02720 • (508) 679-8131 • Fax (508) 674-4710
 We reserve the right to change details of design, materials and finish.
 © 2002 Genlyte Thomas Group LLC (Lightolier Division) • A0902

LIGHTOLIER®

