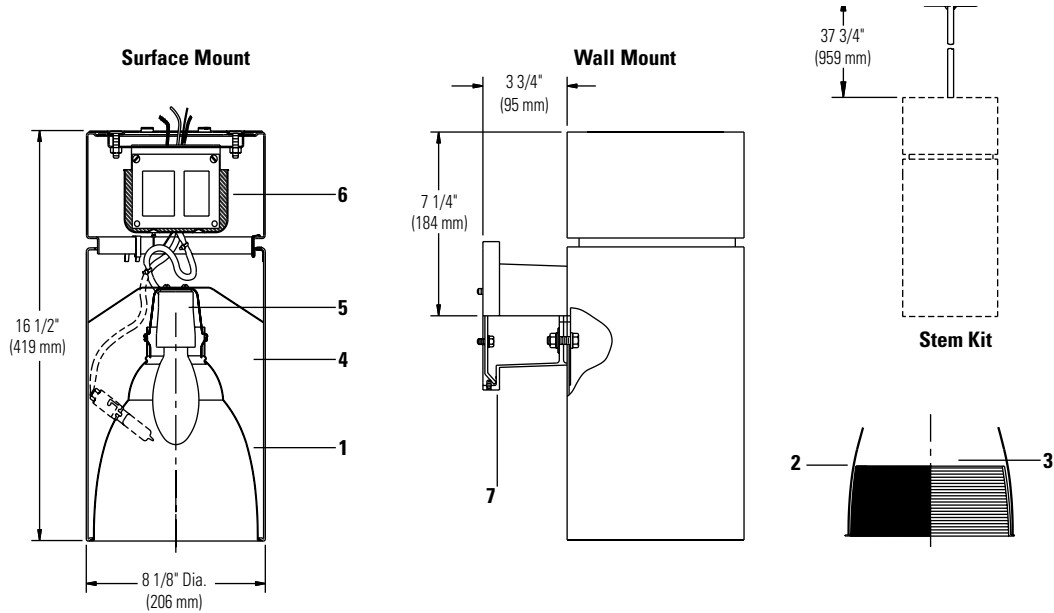


# Calculite® H.I.D. Surface Cylinder **DL7A/CS8V**



Reflector Trim		Cylinder Housing Kit		Lamp (Coated)
DL7ACL	Specular Clear	Surface Mount	Wall Mount	70W ED17, BD17 Metal Halide (Open)
DL7ABK	Specular Black Alzak®	CS8V70HF	CW8V70HF	100W ED17, BD17 Metal Halide (Open)
DL7AMG	Black Multi-groove	CS8V10HF	CW8V10HF	

## Features

- Reflector:** 16 ga. Specular Alzak® aluminum, (with UV resistant, non-fading finish), 45° visual cutoff to lamp and lamp image.
- Black Cone:** Specular black Alzak® aluminum (with UV resistant, non-fading finish). Permanently fastened to specular clear reflector.
- Multi-Groove Baffle:** One piece seamless aluminum, sharply detailed concentric rings, black finish. Permanently fastened to specular clear reflector.
- Housing Cylinder:** White seamless aluminum with groove designed to minimize visual appearance while providing adequate ventilation to maximize light output and lamp life. Returned edge precisely seats reflector without visible hardware. Painted white finish.
- Socket:** Medium base pulse rated porcelain socket with nickel plated screw shell. Special socket design accepts only open fixture metal halide lamp.
- Magnetic Ballast:** Triple tap 120/277/347V, high power factor, encased and filled with a special thermally conductive insulation material.
- Back Plate:** Cast aluminum, suitable for mounting over 4" octagon outlet box.

## Options & Accessories

**Stem Kit FACS36:** Provided with 1/2" dia. Stem and 4 1/2" dia. Canopy. Self-aligning swivel provides max. 40° vertical tilting. Installs over 4" octagonal outlet box. Stem can be cut to length on site. Matte white finish.

**Supplementary Lighting:** Add **S** suffix to Cylinder Housing Kit and Reflector Trim.

## Electrical

UL listed for supply conductors. Cylinders are suitable for 40°C high ambient application.

Ballast	Voltage	ANSI Code	Input Watts	Max. Amps.
70W MH	120V	M98	95	1.90
70W MH	277V	M98	95	0.85
70W MH	347V	M98	95	0.65
100W MH	120V	M90	100	2.60
100W MH	277V	M90	100	1.15
100W MH	347V	M90	100	1.00

## Labels

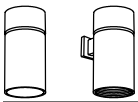
UL Listed for damp locations, I.B.E.W.

Alzak® is a registered trademark of ALCOA.

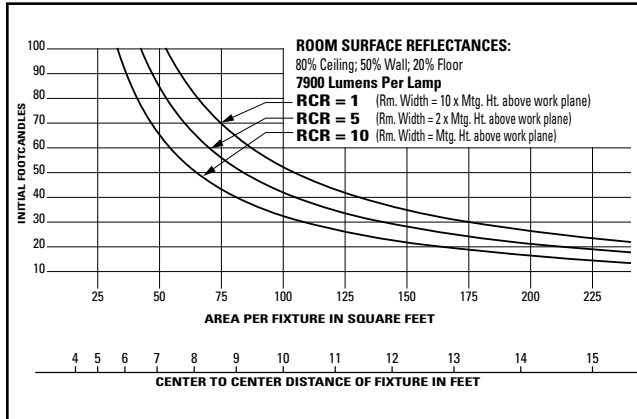
Job Information	Type:
<b>Job Name:</b>	
<b>Cat. No.:</b>	
<b>Lamp(s):</b>	
<b>Notes:</b>	

Lightolier a Genlyte Thomas Company [www.lightolier.com](http://www.lightolier.com)  
 631 Airport Road, Fall River, MA 02720 • (508) 679-8131 • Fax (508) 674-4710  
 We reserve the right to change details of design, materials and finish.  
 © 2002 Genlyte Thomas Group LLC (Lightolier Division) • A0902

**LIGHTOLIER**

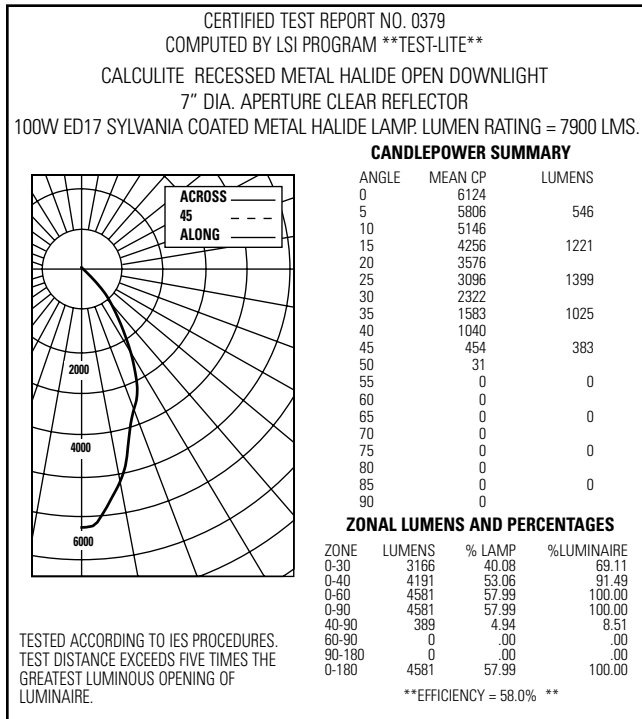


**Clear**



Use quick calculator chart to determine the spacing of 100 Watt ED17 Metal Halide units with (clear) for any level of illumination. Lighting Conversion Factors for Lamps (ED17): 70W MH, F.C. x 0.6; 100W MH, F.C. x 1.0  
Lighting Conversion Factors for Apertures and Finishes: Clear, F.C. x 1.0; Black, F.C. x 0.85; MultiGroove; F.C. x 0.75.

Spacing Ratio = 0.7



**COEFFICIENTS OF UTILIZATION**  
% EFFECTIVE CEILING CAVITY REFLECTANCE

ROOM CAVITY RATIO	% EFFECTIVE CEILING CAVITY REFLECTANCE															
	80			70			50			30			10			0
	50	30	10	50	30	10	50	30	10	50	30	10	50	30	10	
1	.65	.64	.63	.64	.63	.62	.61	.60	.60	.59	.59	.58	.57	.57	.56	.55
2	.61	.59	.58	.60	.59	.57	.58	.57	.56	.57	.56	.55	.55	.54	.54	.53
3	.58	.56	.54	.57	.55	.53	.56	.54	.52	.54	.53	.52	.53	.52	.51	.50
4	.55	.52	.50	.54	.52	.50	.53	.51	.49	.52	.50	.49	.51	.50	.48	.48
5	.52	.49	.47	.52	.49	.47	.51	.48	.47	.50	.48	.46	.49	.47	.46	.45
6	.50	.47	.45	.49	.46	.44	.48	.46	.44	.48	.45	.44	.47	.45	.43	.43
7	.47	.44	.42	.46	.44	.42	.46	.43	.41	.45	.43	.41	.45	.42	.41	.40
8	.44	.41	.39	.44	.41	.39	.43	.41	.39	.43	.40	.39	.42	.40	.39	.38
9	.42	.39	.37	.42	.39	.37	.41	.38	.37	.41	.38	.36	.40	.38	.36	.36
10	.40	.37	.35	.39	.37	.35	.39	.36	.34	.39	.36	.34	.38	.36	.34	.34

20% EFFECTIVE FLOOR CAVITY REFLECTANCE

Conversion Factors: 70W and 100W ED17 Metal Halide: Clear, C.U. x 1.0; Black, C.U. x 0.85; Multi-Groove, C.U. x 0.75.

**Job Information** **Type:**

Lightolier a Genlyte Thomas Company www.lightolier.com  
631 Airport Road, Fall River, MA 02720 • (508) 679-8131 • Fax (508) 674-4710  
We reserve the right to change details of design, materials and finish.  
© 2002 Genlyte Thomas Group LLC (Lightolier Division) • A0902

**LIGHTOLIER®**