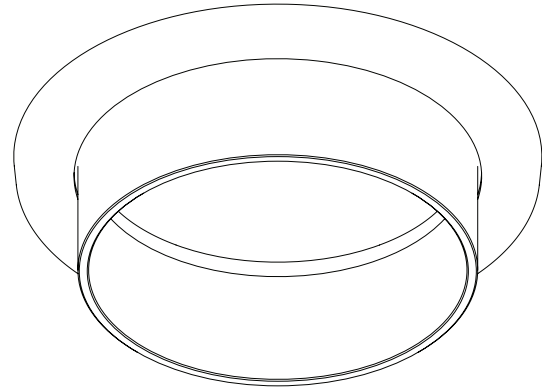
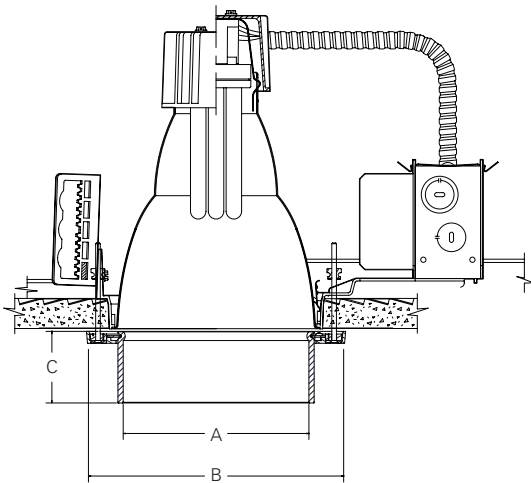


Decorative, Vetro, 4", 6" & 7" CFL



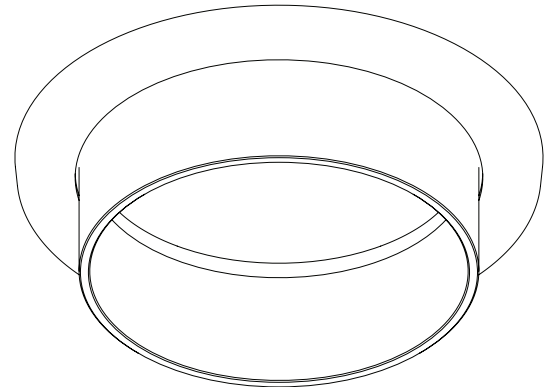
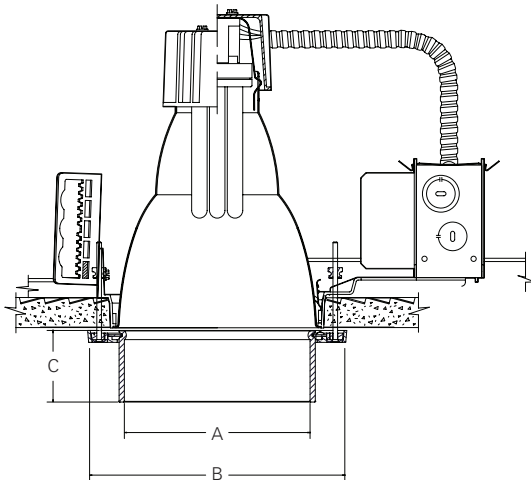
Complete Fixture consists of Decorative Element, Trim-Kit + Frame-In Kit. Each sold separately.

3 Piece Ordering System, Example: D4A04 + 8011CL + 4118VU

Decorative Element Catalog No.	Trim- Kit	Frame-In Kit	Lamping	Dimensions		
				A	B	C
D4A04	8011CL	4118VU Family D4132VU Family	(1) 18W Triple Tube (1) 26W or 32W Triple Tube	4 1/8"	6 1/4"	2"
D6A04	8021CL; 8031CL; 8091DCL 8052CL 8051CL	S6132BU Family 6213HU Family 6218HU Family	(1) 26W or 32W Triple Tube (2) 13W Quad (2) 18W Quad	5 1/2"	7 3/4"	2 1/8"
D7A04	8022CL; 8037CL; 8097DCL 8056CL; 8096DCL 8056CL; 8096DCL 8056CL	S7142BU Family 7218HU Family S7226HU Family 7126HU Family	(1) 26W, 32W or 42W Triple Tube (2) 18W Quad Tube (2) 26W Quad Tube (1) 26W Quad Tube	7 1/8"	9 1/4"	2 1/8"

Job Information	Type:
Job Name:	
Cat. No.:	
Notes:	

Decorative, Vetro, 4", 6" & 7" CFL



Features

- 1. Decorative element:** Cylindrical hand blown triplex glass carefully proportioned to each aperture size. Glass is gently and evenly illuminated for clean brightness recognition.
- 2. Die cast finish ring:** Aluminum die cast finish ring with crisp 90 degree edges conceals all fasteners for a clean finished appearance.
- 3. Die cast construction ring:** Internal die cast construction ring is mechanically attached to frame in kit and is concealed by finish ring.
- 4. Mounting frame fasteners:** Four #8-32 screws and 4 knurled die-cast thumb screws secure construction ring to frame in kit.
- 5. Reflector:** Flangeless trim required. Specified separately. Use specular clear (CL) finish for best performance and aesthetics.
- 6. Frame-in kit:** Specified separately. See Trim Specification Sheet for additional details.

Mechanical

Die cast construction ring securely fastened to four mounting frame studs and 4 (3/8" dia.) aluminum knobs. Decorative Element and finish ring quarter turn twist and lock into die cast construction ring.

Labels

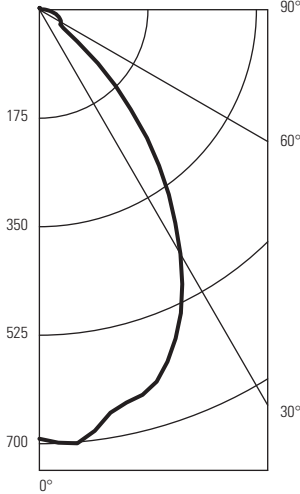
cULus (Damp Location)

Job Information	Type:
------------------------	--------------

PHILIPS
LIGHTOLIER

Decorative, Vetro, 4", 6" & 7" CFL

8021CL-D6A04



Calculate 6" Series Vetro Downlight Element,
Cat.# 8021CL/D6A04 32W G.E. Biax T/E Triple Tube.
Lumen Rating = 2200 Lms.
Universal Ballast #C2642UNVBES

Candlepower Summary

Angle	Mean CP	LMS.	Angle	Mean CP	LMS.
0	692		90	10	
5	702	66	95	6	7
10	660		100	2	
15	643	181	105	2	2
20	604		110	2	
25	540	247	115	2	2
30	455		120	2	
35	364	228	125	2	2
40	270		130	2	
45	174	135	135	2	2
50	80		140	2	
55	41	45	145	2	1
60	40		150	2	
65	37	37	155	2	1
70	33		160	3	
75	28	29	165	3	1
80	21		170	2	
85	15	17	175	3	0
90	10		180	3	

Luminance Summary - CD. / SQ.
M.Angle Mean CD/SQ M

45	13512
55	3954
65	4853
75	5847
85	9659

Tested According to IES Procedures. Test Distance Exceeds Five Times the Greatest Luminous Opening of Luminaire.

Coefficients of Utilization

Ceiling	80%				70%				50%				30%				10%			
	70	50	30	10	70	50	30	10	70	50	30	10	70	50	30	10	70	50	30	10
Wall	Zonal Cavity Method - Effective Floor Reflectance = 20%																			
RCR	Zonal Cavity Method - Effective Floor Reflectance = 20%																			
0	.54	.54	.54	.54	.53	.53	.53	.53	.50	.50	.50	.50	.48	.48	.48	.46	.46	.46	.46	.46
1	.51	.49	.48	.47	.50	.48	.47	.46	.46	.45	.44	.44	.44	.43	.43	.43	.42	.42	.42	.41
2	.48	.45	.43	.41	.47	.45	.43	.41	.43	.41	.40	.41	.40	.39	.39	.38	.38	.37	.37	.37
3	.45	.42	.39	.37	.44	.41	.39	.37	.40	.38	.36	.39	.37	.36	.38	.36	.35	.34	.34	.34
4	.43	.39	.36	.34	.42	.38	.36	.34	.37	.35	.33	.36	.34	.33	.35	.34	.32	.32	.32	.32
5	.40	.36	.33	.31	.39	.36	.33	.31	.35	.32	.30	.34	.32	.30	.33	.31	.30	.29	.29	.29
6	.38	.34	.31	.28	.37	.33	.30	.28	.32	.30	.28	.32	.29	.28	.31	.29	.27	.27	.27	.27
7	.36	.31	.28	.26	.35	.31	.28	.26	.30	.27	.26	.29	.27	.25	.29	.27	.25	.25	.25	.25
8	.34	.29	.26	.24	.33	.29	.26	.24	.28	.25	.24	.27	.25	.23	.27	.25	.23	.23	.23	.23
9	.32	.27	.24	.22	.31	.27	.24	.22	.26	.23	.22	.26	.23	.21	.25	.23	.21	.21	.21	.21
10	.30	.25	.22	.20	.29	.25	.22	.20	.24	.22	.20	.24	.21	.20	.23	.21	.20	.20	.20	.19

Determined In Accordance With Current IES Published Procedures
Luminaire Input Watts = 33.0

Zonal Lumens and Percentages

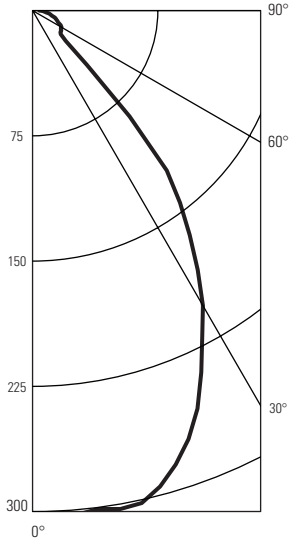
Zone	Lumens	% Lamp	%Luminaire
0-30	493	22.44	49.29
0-40	721	32.81	72.07
0-60	902	41.01	90.07
0-90	984	44.75	98.27
40-90	262	11.93	26.21
60-90	82	3.74	8.20
90-180	17	.79	1.73
0-180	1001	45.53	100.00

Certified test report no. 3494FR
Computed by LSI program **TEST-LITE**
SC = 1.0

Prepared For:
Lightolier
Fall River, MA

** Efficiency = 45.5% **

8011CL-D4A04



Calculate 4" Dia. Recessed Vetro Downlight,
Cat.# 8011CL/D4A04 18W G.E. Biax T/E Triple Tube.
Lumen Rating = 1200 LMS.
Universal Ballast #C218UNVBES

Candlepower Summary

Angle	Mean CP	Lumens
0	305	
5	303	29
10	303	
15	295	83
20	273	
25	239	111
30	204	
35	164	103
40	125	
45	46	46
50	22	
55	21	19
60	20	
65	17	17
70	15	
75	12	13
80	10	
85	7	8
90	4	

Tested According to IES Procedures. Test Distance Exceeds Five Times the Greatest Luminous Opening of Luminaire.

Coefficients of Utilization

Ceiling	80%				70%				50%				30%				10%			
	70	50	30	10	70	50	30	10	70	50	30	10	70	50	30	10	70	50	30	10
Wall	Zonal Cavity Method - Effective Floor Reflectance = 20%																			
RCR	Zonal Cavity Method - Effective Floor Reflectance = 20%																			
0	.43	.43	.43	.43	.42	.42	.42	.42	.40	.40	.40	.38	.38	.38	.36	.36	.36	.36	.36	.36
1	.40	.39	.38	.37	.39	.38	.37	.36	.37	.36	.35	.35	.35	.34	.34	.34	.33	.33	.33	.33
2	.38	.36	.34	.33	.37	.35	.34	.33	.34	.33	.32	.33	.32	.31	.32	.31	.31	.31	.31	.30
3	.36	.33	.31	.30	.35	.33	.31	.29	.32	.30	.29	.31	.30	.28	.30	.29	.28	.27	.27	.27
4	.34	.31	.29	.27	.33	.31	.29	.27	.30	.28	.27	.29	.27	.26	.28	.27	.26	.25	.25	.25
5	.32	.29	.26	.25	.31	.28	.26	.25	.28	.26	.24	.27	.25	.24	.27	.25	.24	.23	.23	.23
6	.30	.27	.24	.23	.30	.27	.24	.23	.26	.24	.23	.25	.24	.22	.25	.23	.22	.22	.22	.22
7	.28	.25	.23	.21	.28	.25	.23	.21	.24	.22	.21	.24	.22	.21	.23	.22	.21	.21	.21	.20
8	.27	.23	.21	.19	.27	.23	.21	.19	.23	.21	.19	.22	.20	.19	.22	.20	.19	.18	.18	.18
9	.25	.22	.19	.18	.25	.21	.19	.18	.21	.19	.18	.21	.19	.18	.20	.19	.18	.17	.17	.17
10	.24	.20	.18	.16	.24	.20	.18	.16	.20	.18	.16	.19	.18	.16	.19	.17	.16	.16	.16	.16

Determined In Accordance with Current IES Published Procedures
Luminaire Input Watts = 52.0

Zonal Lumens and Percentages

Zone	Lumens	% Lamp	%Luminaire
0-30	222	18.51	51.82
0-40	325	27.10	75.89
0-60	390	32.54	91.12
0-90	428	35.71	100.00
40-90	103	8.61	24.11
60-90	38	3.17	8.88
90-180	0	.00	.00
0-180	428	35.71	100.00

Certified test report no. 3560FR
Computed by LSI program **TEST-LITE**
SC = 1.0

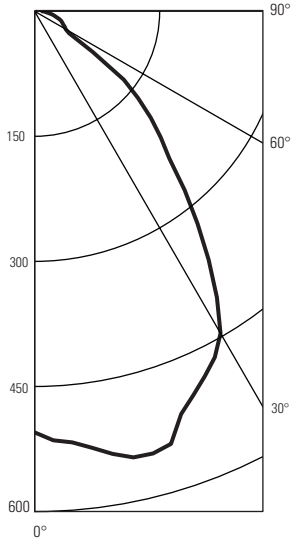
Prepared For:
Lightolier
Fall River, MA

** Efficiency = 35.7% **

Job Information Type:

Decorative, Vetro, 4", 6" & 7" CFL

8031CL-D6A04



Calculate 6" Dia. Recessed Horizontal Vetro Downlight,
Cat.# 8031CL/D6A04 32W Sylvania Dulux T/E Triple Tube.
Lumen Rating = 2400 LMS. Universal Ballast #C2642UN-
VBES(#1)

Candlepower Summary

Angle	Along	22.5	45	67.5	Across	Output Lumens
0	505	505	505	505	505	
5	519	514	507	502	501	49
10	539	537	528	510	493	
15	549	538	514	496	489	145
20	514	503	483	467	476	
25	483	484	431	456	479	213
30	446	443	422	421	432	
35	364	380	385	411	416	236
40	280	273	279	301	321	
45	214	201	176	161	161	152
50	162	153	137	118	105	
55	85	79	70	68	67	72
60	43	42	41	40	40	
65	38	38	37	37	37	37
70	34	33	33	32	33	
75	27	27	27	27	27	28
80	21	21	20	20	21	
85	14	15	14	14	14	16

Tested According to IES Procedures. Test Distance Exceeds Five Times the Greatest Luminous Opening of Luminaire.

Coefficients of Utilization

Ceiling	80%				70%				50%				30%				10%			
	Wall	70	50	30	10	70	50	30	10	50	30	10	50	30	10	50	30	10	0	
RCR	Zonal Cavity Method - Effective Floor Reflectance = 20%																			
0	.47	.47	.47	.47	.46	.46	.46	.46	.44	.44	.44	.42	.42	.42	.40	.40	.40	.40	.40	.40
1	.44	.43	.42	.40	.43	.42	.41	.40	.40	.39	.39	.39	.38	.37	.37	.37	.36	.36	.36	.36
2	.41	.39	.37	.36	.41	.38	.37	.35	.37	.36	.34	.36	.35	.34	.35	.34	.33	.32	.32	.32
3	.39	.36	.33	.32	.38	.35	.33	.31	.34	.32	.31	.33	.32	.30	.32	.31	.30	.29	.29	.29
4	.37	.33	.30	.28	.36	.33	.30	.28	.32	.30	.28	.31	.29	.28	.30	.29	.27	.27	.27	.27
5	.34	.30	.28	.26	.34	.30	.27	.26	.29	.27	.25	.29	.27	.25	.28	.26	.25	.24	.24	.24
6	.32	.28	.25	.23	.31	.28	.25	.23	.27	.25	.23	.26	.24	.23	.26	.24	.23	.22	.22	.22
7	.30	.26	.23	.21	.29	.25	.23	.21	.25	.22	.21	.24	.22	.21	.24	.22	.20	.20	.20	.20
8	.28	.24	.21	.19	.28	.23	.21	.19	.23	.20	.19	.22	.20	.19	.22	.20	.19	.18	.18	.18
9	.26	.22	.19	.17	.26	.22	.19	.17	.21	.19	.17	.21	.18	.17	.20	.18	.17	.16	.16	.16
10	.25	.20	.17	.15	.24	.20	.17	.15	.19	.17	.15	.19	.17	.15	.19	.17	.15	.15	.15	.15

Determined in Accordance with Current IES Published Procedures
Luminaire Input Watts = 36.0

Zonal Lumens and Percentages

Zone	Lumens	% Lamp	%Luminaire
0-30	407	16.96	42.89
0-40	642	26.79	67.76
0-60	867	36.16	91.45
0-90	948	39.54	100.00
40-90	305	12.75	32.24
60-90	81	3.38	8.55
90-180	0	.00	.00
0-180	948	39.54	100.00

Certified test report no. 3536FR
Computed by LSI program **TEST-LITE**
SC = 1.3

Prepared For:
Lightolier
Fall River, MA

** Efficiency = 39.5% **



Philips Lightolier
e: lol.webmaster@philips.com
t: (508) 679-8131
w: www.lightolier.com

DA04-CFL May 31, 2011

Specifications are subject to change without notice.
© Koninklijke Philips Electronics N.V., 2011. All rights reserved.

Job Information Type: