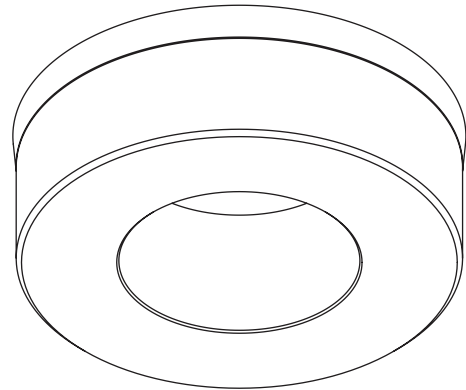
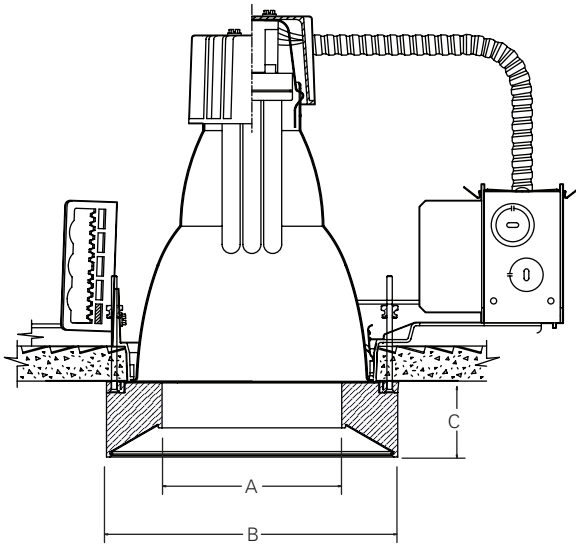


Decorative, Vetro, 4", 6" & 7" CFL

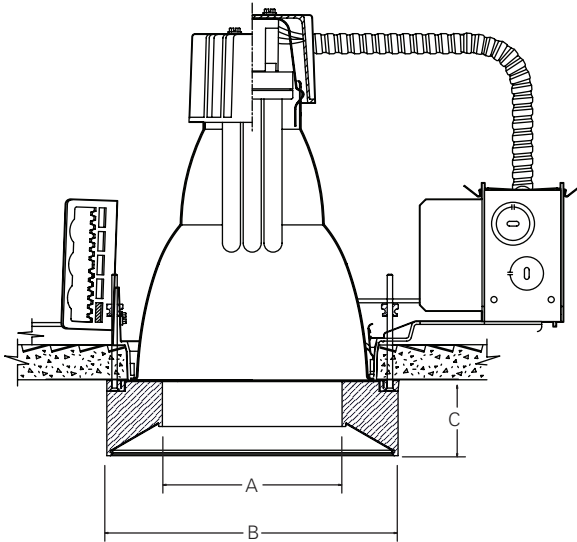


Complete Fixture consists of Decorative Element, Trim-Kit + Frame-In Kit. Each sold separately.

3 Piece Ordering System, Example: D4A02 + 8011CL + 4118VU

Decorative Element Catalog No.	Trim- Kit	Frame-In Kit	Lamping	Dimensions		
				A	B	C
D4A02	8011CL	4118VU Family D4132VU Family	(1) 18W Triple Tube (1) 26W or 32W Triple Tube	3 1/2"	6"	1 3/4"
D6A02	8021CL; 8031CL; 8091DCL 8052CL 8051CL	S6132BU Family 6213HU Family 6218HU Family	(1) 26W or 32W Triple Tube (2) 13W Quad (2) 18W Quad	4"	7 1/2"	1 7/8"
D7A02	8022CL; 8037CL; 8097DCL 8056CL; 8096DCL 8056CL; 8096DCL 8056CL	S7142BU Family 7218HU Family S7226HU Family 7126HU Family	(1) 26W, 32W or 42W Triple Tube (2) 18W Quad Tube (2) 26W Quad Tube (1) 26W Quad Tube	4 7/8"	9"	2"

Job Information	Type:
Job Name:	
Cat. No.:	
Notes:	



Features

- Decorative element:** Solid high temp, UV resistant composite with open aperture; frosted interior diameter, polished exterior and machined facet along bottom edge.
- Die cast construction ring:** Exterior edge of construction ring is visible, satin aluminum finish matches diameter of decorative element for a flangeless appearance.
- Fastener cover:** Stamped aluminum cover ring provided on top of decorative element to cover fasteners and prevent visibility through clear decorative element.
- Mounting frame fasteners:** Four #8-32 screws and 4 knurled die-cast thumb screws secure construction ring to frame in kit.
- Reflector:** Flangeless trim required. Specified separately. Use specular clear (CL) finish for best performance and aesthetics
- Frame-in kit:** Specified separately.
See trim specification sheet for additional details.

Mechanical

Die cast construction ring securely fastened to four #8-32 screws and 4 knurled die-cast thumb screws. Decorative Element quarter turn twist and lock into die cast construction ring.

Labels

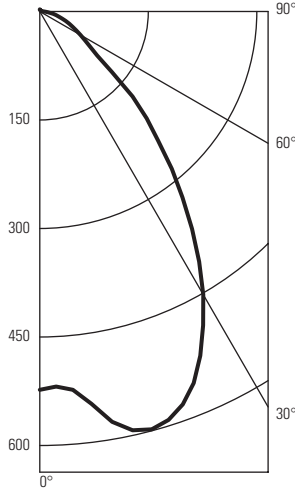
cULus (Damp Location)

Job Information	Type:
-----------------	-------

PHILIPS
LIGHTOLIER

Decorative, Vetro, 4", 6" & 7" CFL

8021CL-D6AO2



Luminance Summary - CD. / SQ. M.

Angle	Mean CD/SQ M
45	16270
55	8129
65	6536
75	5836
85	6821

Calculite 6" Recessed Vetro Downlight, Cat.# 8021CL/D6AO2
32W G.E. Biax T/E Triple Tube (Lower Position).
Lumen Rating = 2200 LMS. Universal Ballast #C2642UNVBES

Candlepower Summary

Angle	Mean CP	LMS.	Angle	Mean CP	LMS.
0	523		90	6	
5	525	51	95	4	4
10	576		100	2	
15	598	167	105	2	2
20	578		110	2	
25	525	241	115	2	2
30	452		120	2	
35	367	231	125	2	2
40	284		130	2	
45	209	161	135	2	2
50	130		140	2	
55	85	82	145	2	1
60	65		150	2	
65	50	50	155	2	1
70	38		160	2	
75	27	29	165	2	1
80	19		170	2	
85	11	13	175	2	0
90	6		180	3	

Tested According to IES Procedures. Test Distance Exceeds Five Times the Greatest Luminous Opening of Luminaire.

Coefficients of Utilization

Ceiling	80%				70%				50%				30%				10%			
	70	50	30	10	70	50	30	10	50	30	10	50	30	10	50	30	10	50	30	10
Wall	Zonal Cavity Method - Effective Floor Reflectance = 20%																			
RCR																				
0	.56	.56	.56	.56	.55	.55	.55	.55	.52	.52	.52	.52	.50	.50	.50	.50	.48	.48	.48	.47
1	.53	.51	.50	.48	.52	.50	.49	.47	.48	.47	.46	.46	.46	.45	.44	.44	.44	.44	.43	.42
2	.49	.47	.45	.42	.48	.46	.44	.42	.44	.42	.41	.41	.43	.41	.40	.41	.41	.40	.39	.38
3	.46	.43	.40	.38	.45	.42	.39	.37	.41	.38	.37	.39	.38	.36	.36	.38	.37	.35	.34	
4	.44	.39	.36	.34	.43	.39	.36	.34	.38	.35	.33	.37	.34	.33	.36	.34	.32	.31	.29	
5	.41	.36	.33	.31	.40	.36	.33	.30	.35	.32	.30	.34	.31	.30	.33	.31	.29	.29	.29	
6	.38	.33	.30	.28	.38	.33	.30	.28	.32	.29	.27	.31	.29	.27	.31	.28	.27	.26	.26	
7	.36	.31	.27	.25	.35	.30	.27	.25	.30	.27	.25	.29	.26	.24	.28	.26	.24	.24	.24	
8	.34	.28	.25	.23	.33	.28	.25	.23	.27	.25	.23	.27	.24	.22	.26	.24	.22	.21	.21	
9	.31	.26	.23	.21	.31	.26	.23	.21	.25	.22	.20	.25	.22	.20	.24	.22	.20	.19	.19	
10	.29	.24	.21	.19	.29	.24	.21	.19	.23	.21	.19	.23	.20	.18	.23	.20	.18	.18	.18	

Determined In Accordance With Current IES Published Procedures
Luminaire Input Watts = 33.0

Zonal Lumens and Percentages

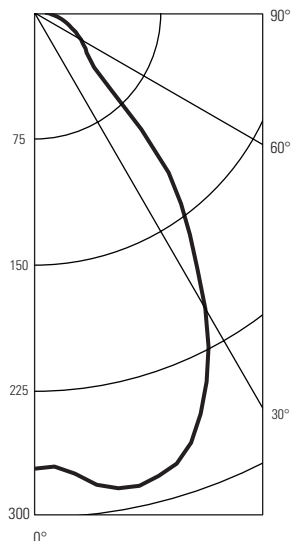
Zone	Lumens	% Lamp	%Luminaire
0-30	458	20.84	44.11
0-40	689	31.34	66.32
0-60	932	42.39	89.69
0-90	1024	46.59	98.57
40-90	335	15.24	32.25
60-90	92	4.20	8.89
90-180	14	.67	1.43
0-180	1039	47.26	100.00

Certified test report no. 3495FR
Computed by LSI program **TEST-LITE**
SC = 1.2

Prepared For:
Lightolier
Fall River, MA

** Efficiency = 47.3% **

8011CL-D4AO2



Calculite 4" Dia. Vetro Downlight, Cat.# 8011CL/D4AO2
18W G.E. Biax T/E Triple Tube. Lumen Rating = 1200 LMS.
Universal Ballast #C218UNVBES

Candlepower Summary

Angle	Mean CP	Lumens
0	271	
5	275	26
10	287	
15	285	80
20	272	
25	242	111
30	203	
35	161	102
40	124	
45	63	57
50	43	
55	37	33
60	32	
65	27	27
70	22	
75	18	19
80	14	
85	10	11
90	7	

Tested According to IES Procedures. Test Distance Exceeds Five Times the Greatest Luminous Opening of Luminaire.

Coefficients of Utilization

Ceiling	80%				70%				50%				30%				10%			
	70	50	30	10	70	50	30	10	50	30	10	50	30	10	50	30	10	50	30	10
Wall	Zonal Cavity Method - Effective Floor Reflectance = 20%																			
RCR																				
0	.46	.46	.46	.46	.45	.45	.45	.45	.43	.43	.43	.43	.41	.41	.41	.41	.40	.40	.40	.39
1	.43	.42	.41	.40	.42	.41	.40	.39	.39	.39	.38	.38	.38	.37	.37	.37	.37	.36	.36	.35
2	.41	.38	.36	.35	.40	.38	.36	.34	.36	.35	.33	.35	.34	.33	.34	.33	.32	.30	.29	.28
3	.38	.35	.33	.31	.37	.34	.32	.31	.33	.32	.30	.32	.31	.30	.32	.30	.29	.28	.27	.26
4	.36	.32	.30	.28	.35	.32	.30	.28	.31	.29	.27	.30	.28	.27	.29	.28	.27	.26	.26	.24
5	.34	.30	.27	.25	.33	.29	.27	.25	.29	.27	.25	.28	.26	.25	.27	.26	.24	.24	.24	.22
6	.32	.28	.25	.23	.31	.27	.25	.23	.27	.24	.23	.26	.24	.23	.26	.24	.22	.22	.22	.20
7	.30	.26	.23	.21	.29	.25	.23	.21	.25	.22	.21	.24	.22	.21	.24	.22	.20	.20	.20	.18
8	.28	.24	.21	.19	.28	.23	.21	.19	.23	.21	.19	.23	.21	.19	.22	.20	.19	.18	.18	.16
9	.26	.22	.19	.18	.26	.22	.19	.18	.21	.19	.17	.21	.19	.17	.21	.19	.17	.17	.17	.15
10	.25	.21	.18	.16	.24	.20	.18	.16	.20	.18	.16	.20	.17	.16	.19	.17	.16	.16	.16	.14

Determined in Accordance with Current IES Published Procedures
Luminaire Input Watts = 23.0

Zonal Lumens and Percentages

Zone	Lumens	% Lamp	%Luminaire
0-30	217	18.12	46.65
0-40	319	26.60	68.52
0-60	408	34.08	87.76
0-90	465	38.83	100.00
40-90	146	12.22	31.48
60-90	57	4.75	12.24
90-180	0	.00	.00
0-180	465	38.83	100.00

Certified test report no. 3558FR
Computed by LSI program **TEST-LITE**
SC = 1.1

Prepared For:
Lightolier
Fall River, MA

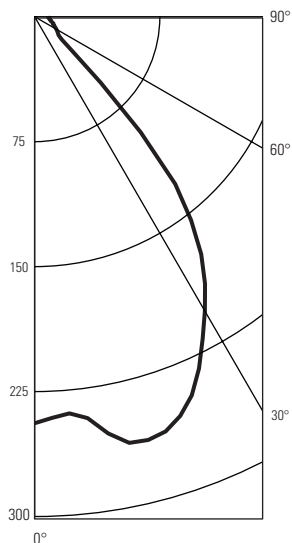
** Efficiency = 38.8% **

Job Information Type:



Decorative, Vetro, 4", 6" & 7" CFL

8011CL-D4AO1



Calculate 4" Vetro Downlight, Cat.# 8011CI D4A01
18W G.E. Biax T/E triple Tube. Lumen Rating = 1200 LMS.
Universal Ballast #C218UNVBES

Candlepower summary

Angle	Mean CP	Lumens
0	244	
5	239	23
10	254	
15	263	73
20	255	
25	233	107
30	204	
35	174	107
40	131	
45	56	51
50	21	
55	17	16
60	15	
65	13	13
70	12	
75	10	11
80	9	
85	9	10
90	8	

Tested According to IES Procedures. Test Distance Exceeds Five Times the Greatest Luminous Opening of Luminaire.

Coefficients of Utilization

Ceiling	80%				70%				50%				30%				10%			
	70	50	30	10	70	50	30	10	70	50	30	10	70	50	30	10	70	50	30	10
Wall	Zonal Cavity Method - Effective Floor Cavity Reflectance = 20%																			
RCR	Zonal Cavity Method - Effective Floor Cavity Reflectance = 20%																			
0	.41	.41	.41	.41	.40	.40	.40	.40	.38	.38	.38	.36	.36	.36	.35	.35	.35	.34		
1	.39	.37	.36	.35	.38	.37	.36	.35	.35	.34	.34	.34	.33	.33	.33	.32	.32	.31	.30	.29
2	.36	.34	.33	.32	.36	.34	.32	.31	.33	.32	.30	.32	.31	.30	.31	.30	.29	.29	.29	.29
3	.34	.32	.30	.28	.34	.31	.30	.28	.30	.29	.28	.30	.28	.27	.29	.28	.27	.26	.26	.26
4	.32	.30	.27	.26	.32	.29	.27	.26	.28	.27	.25	.28	.26	.25	.27	.26	.25	.24	.24	.24
5	.31	.27	.25	.24	.30	.27	.25	.23	.26	.25	.23	.26	.24	.23	.25	.24	.23	.22	.22	.22
6	.29	.26	.23	.22	.28	.25	.23	.22	.25	.23	.21	.24	.23	.21	.24	.22	.21	.21	.21	.21
7	.27	.24	.21	.20	.27	.23	.21	.20	.23	.21	.20	.22	.21	.19	.22	.21	.19	.19	.19	.19
8	.26	.22	.20	.18	.25	.22	.20	.18	.21	.19	.18	.21	.19	.18	.21	.19	.18	.17	.17	.17
9	.24	.20	.18	.17	.24	.20	.18	.17	.20	.18	.16	.20	.18	.16	.19	.18	.16	.16	.16	.16
10	.23	.19	.17	.15	.22	.19	.17	.15	.18	.16	.15	.18	.16	.15	.18	.16	.15	.14	.14	.14

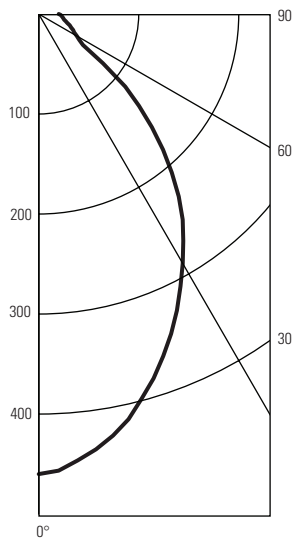
Determined in Accordance With Current IES Published Procedures
Luminaire Input Watts = 23.0

Zonal Lumens and Percentages

Zone	Lumens	% Lamp	%Luminaire	SC(Along) = 1.3, SC(Across) = 1.5
0-30	203	16.97	49.50	
0-40	311	25.92	75.59	Certified test report no. 3557FR
0-60	377	31.49	91.85	Computed by LSI program
0-90	411	34.29	100.00	**TEST-LITE**
40-90	100	8.37	24.41	SC = 1.2
60-90	33	2.79	8.15	Prepared For:
90-180	0	.00	.00	Lightolier
0-180	411	34.29	100.00	Fall River, MA

** Efficiency = 34.3% **

8091CL-D6AO1



Calculate 6" Vetro Downlight, Cat.# 8091CL/D6A01 Opal Lens
32W Sylvania Dulux T/E Triple Tube. Lumen Rating = 2400 LMS.
Universal Ballast #C2642UNVBES(#1)

Candlepower Summary

Angle	Along	22.5	45	67.5	Across	LMS
0	460	460	460	460	460	
5	447	447	448	449	448	43
10	425	425	426	428	428	
15	393	394	396	398	398	112
20	356	357	360	363	364	
25	316	317	320	325	327	148
30	274	275	278	284	288	
35	231	232	237	245	251	150
40	188	189	194	204	207	
45	148	149	152	158	160	119
50	111	111	111	112	113	
55	50	50	51	53	54	58
60	42	42	43	44	44	
65	36	37	37	37	38	37
70	32	32	32	33	33	
75	28	28	28	28	28	30
80	25	25	25	25	25	
85	23	23	23	23	23	25
90	20	20	20	21	20	

Tested According to IES Procedures. Test Distance Exceeds Five Times the Greatest Luminous Opening of Luminaire.

Coefficients of Utilization

Ceiling	80%				70%				50%				30%				10%			
	70	50	30	10	70	50	30	10	70	50	30	10	70	50	30	10	70	50	30	10
Wall	Zonal Cavity Method - Effective Floor Reflectance = 20%																			
RCR	Zonal Cavity Method - Effective Floor Reflectance = 20%																			
0	.36	.36	.36	.36	.35	.35	.35	.35	.33	.33	.33	.32	.32	.32	.31	.31	.31	.30		
1	.33	.32	.31	.30	.33	.32	.31	.30	.30	.29	.29	.29	.28	.28	.28	.28	.27	.26		
2	.31	.29	.28	.26	.30	.29	.27	.26	.28	.26	.25	.27	.26	.25	.26	.25	.24	.24		
3	.29	.27	.25	.23	.28	.26	.24	.23	.25	.24	.23	.25	.23	.22	.24	.22	.22	.21		
4	.27	.25	.22	.21	.27	.24	.22	.21	.23	.22	.20	.23	.21	.20	.22	.21	.20	.19		
5	.26	.23	.20	.19	.25	.22	.20	.19	.22	.20	.18	.21	.20	.18	.21	.19	.18	.18		
6	.24	.21	.19	.17	.23	.20	.18	.17	.20	.18	.17	.20	.18	.17	.19	.18	.17	.16		
7	.22	.19	.17	.15	.22	.19	.17	.15	.18	.16	.15	.18	.16	.15	.18	.16	.15	.14		
8	.21	.18	.15	.14	.21	.17	.15	.14	.17	.15	.14	.17	.15	.14	.16	.15	.14	.13		
9	.20	.16	.14	.13	.19	.16	.14	.13	.16	.14	.13	.15	.14	.12	.15	.14	.12	.12		
10	.18	.15	.13	.11	.18	.15	.13	.11	.15	.13	.11	.14	.13	.11	.14	.12	.11	.11		

Determined in Accordance With Current IES Published Procedures
Luminaire Input Watts = 38.0

Zonal Lumens and Percentages

Zone	Lumens	% Lamp	%Luminaire	Certified test report no. 3517FR
0-30	302	12.61	41.97	Computed by LSI program **TEST-LITE**
0-40	452	18.84	62.73	SC = 1.0
0-60	629	26.21	87.25	Prepared For:
0-90	721	30.04	100.00	Lightolier
40-90	268	11.20	37.27	Fall River, MA
60-90	91	3.83	12.75	
90-180	0	.00	.00	
0-180	721	30.04	100.00	

** Efficiency = 30.0% **



Philips Lightolier
e: lol.webmaster@philips.com
t: (508) 679-8131
w: www.lightolier.com

DA02-CFL May 31, 2011

Specifications are subject to change without notice.
© Koninklijke Philips Electronics N.V., 2011. All rights reserved.

Job Information Type: