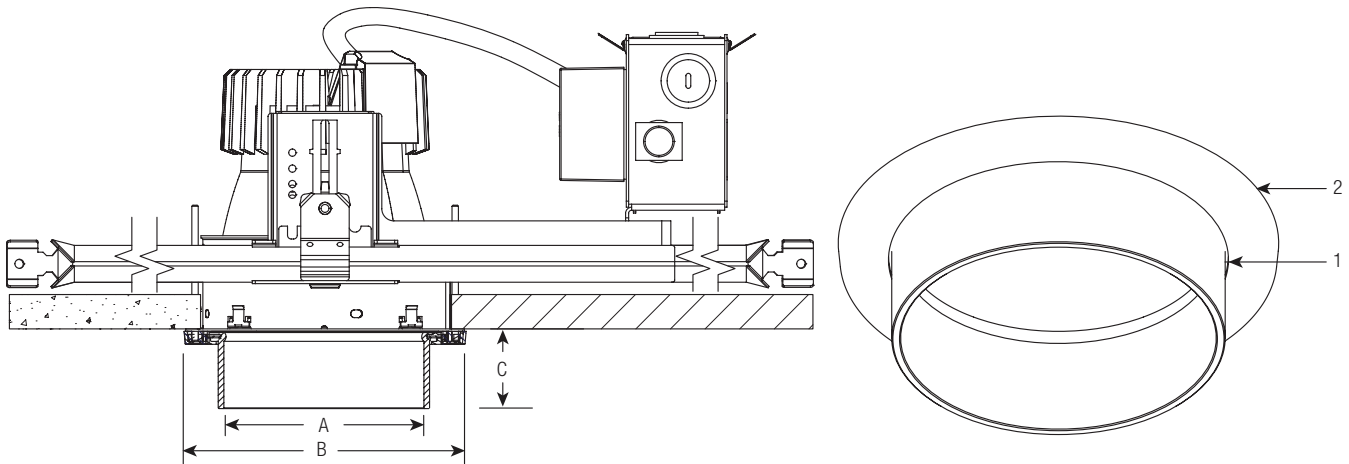


# Architectural Decorative Vetro Downlight **D4A04**



**3 Piece Ordering System:** Complete Fixture consists of Decorative Element, Calculite Light Engine, and Calculite Frame-In Kit. Each sold separately.

Aperture	Decorative Element Catalog No.	Frame-In Kit and Trim	Wattage	Dimensions		
				A	B	C
4"	D4A04	C4L05 Series	10W	4 1/8"	6 1/4"	1 3/4"
		C4L10 Series	20W			

## Features

- Decorative Element:** Cylindrical hand blown triplex glass carefully proportioned to each aperture size. Glass is gently and evenly illuminated for clean brightness recognition.
- Die Cast Finish Ring:** Aluminum Die Cast finish ring with crisp 90 degree edges conceals all fasteners for a clean finished appearance.
- Die Cast Construction Ring:** Internal die cast construction ring is mechanically attached to frame in kit and is concealed by finish ring.
- Mounting Frame Fasteners:** Four #8-32 screws and 4 knurled die-cast thumb screws secure construction ring to frame in kit.
- Reflector:** FLANGELESS TRIM REQUIRED. Specified separately. Use Specular Clear (CL) finish for best performance and aesthetics.
- Frame-In Kit:** Specified separately. See Trim Specification Sheet for additional details.

## Mechanical

Die cast construction ring securely fastened to four mounting frame studs and 4 (3/8" dia.) aluminum knobs. Decorative Element and finish ring quarter turn twist and lock into die cast construction ring.

## Labels

U.L. (Wet Location)

### Job Information

### Type:

**Job Name:**

**Cat. No.:**

**Lamp(s):**

**Notes:**