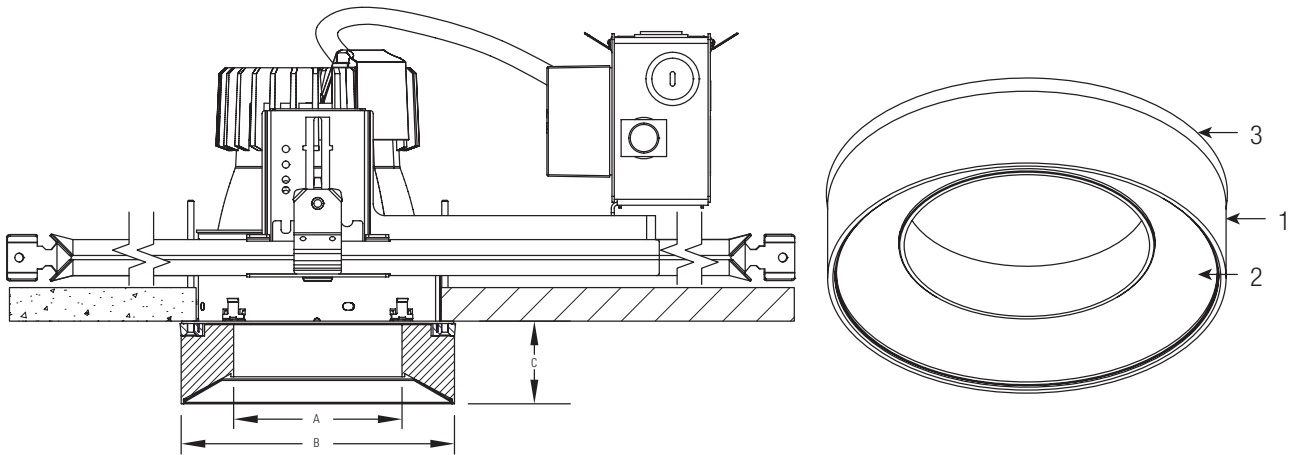


D4A01

Decorative, Vetro, 4" LED

Page 1 of 1



3 Piece ordering system: Complete fixture consists of decorative element, calcilite light engine, and calcilite frame-in kit. Each sold separately.

Aperture	Decorative element catalog no.	New construction frame-in kit and flangeless trim	Wattage	Dimensions		
				A	B	C
4"	D4A01	C4L05 Series	10W	3 3/4"	6"	1 3/4"
		C4L10 Series	20W			

Features

- 1. Decorative element:** Solid high temp, UV resistant composite with open aperture. Interior diameter is frosted. polished exterior.
- 2. Aluminum insert:** Satin aluminum ring is mechanically inserted in composite to create drama and intrigue in the element.
- 3. Die cast construction ring:** Exterior edge of construction ring is visible, satin aluminum finish matches diameter of decorative element for a flangeless appearance.
- 4. Fastener cover:** Stamped aluminum cover ring provided on top of decorative element to cover construction ring fasteners.
- 5. Mounting frame fasteners:** Four #8-32 screws and 4 knurled die-cast thumb screws secure construction ring to frame in kit.
- 6. Reflector:** Flangeless trim required. Specified separately. Use specular clear (CL) finish for best performance and aesthetics
- 7. Frame-in kit:** Specified separately. See trim specification sheet for additional details.

Mechanical

Decorative elements securely fastened to four mounting frame studs.

Labels

U.L. (Wet Location)

Job Information	Type:
Job Name:	
Cat. No.:	
Notes:	

PHILIPS
LIGHTOLIER