

Complete ordering instructions below.

Ordering Information

Family	Mounting	Shielding	Configuration	Output	Length (nom.)	Housing	Voltage	Option
CT3	G	P	C					
CT3	G = Grid Mount	P = Parabolic Louver	C = 2 Lamp ¹	H = High Output S = Standard	2 = 2-foot 4 = 4-foot 8 = 8-foot	U = Indiv. Unit ² S = Starter J = Joiner T = Telescoping ³	1 = 120V 2 = 277V	E = EM Pack ⁴ T = Tandem Switch 2 = Dual Switch 4 = 4 Through Wires 5 = 5 Through Wires D = Dimming

¹ One lamp extends into adjacent fixture by 2-1/2" (6.35cm) in Starter, Joiner and Telescoping fixtures
² 8-foot Individual Unit not available in Grid mount
³ Telescoping fixture ships 85-3/8" (216.85cm), adjustable down to 49-3/8" (125.41cm)
⁴ EM pack not available in 2-foot or Telescoping fixtures

Features

- Housing:** 20 gauge pre-painted steel
- Bulkhead:** 18 gauge galvanized steel
- Reflector:** semi-specular aluminum
- Trim:** none visible, fixture drops into grid system by others
- Ballast:** program start electronic
- Lamp:** T5 or T5 HO fluorescent
- Louver:** semi-specular parabolic, 2-1/4" (5.72cm) nominal blade spacing

Mounting

Housing is suspended by hanger wires by others. Compatible with standard and slot T grid systems. Optional factory provided Quick-Draw Installation System shown on page 2.

Electrical

Electronic Ballast: Programmed start, 3 conductor, 12 gauge wire. Color-coded quick connectors allow easy connection for modular fixtures. T5HO lamps are dimmed with Advance Mark 10. T5 standard output lamps are dimmed with ULT Super Dim. Use compatible dimmers and feed wires. Factory installed ballast disconnect allows the ballast to be disconnected from and reconnected to incoming power under load without turning the entire circuit off.
Emergency Battery Pack: 450 Lumens @ 90 minimum.

Labels

UL, cUL and IBEW

Ordering Instructions

Individual Fixtures:

- Order number of INDIVIDUAL UNITS required.

Continuous Rows:

- Determine run length
- Order one Starter fixture
- Order one Telescoping fixture*
- Order remainder of Joiner fixtures

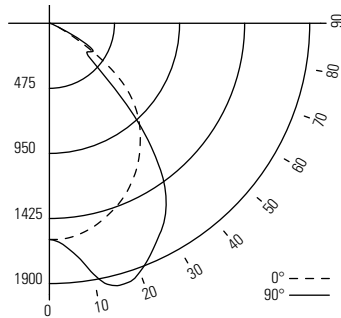
* For best two-lamp effect, use Telescoping fixture at shortest length possible.

Continuous runs only - Prior to installing CTS3 in a grid ceiling, the installing contractor must ensure that the fixture will set into two main runners, spaced 4" (10.16cm) on center. No grid cross members are required except at the beginning and end of the run.

Job Information	Type:
Job Name:	
Cat. No.:	
Lamp(s):	
Notes:	

631 Airport Road, Fall River, MA 02720 • (508) 679-8131 • Fax (508) 674-4710
 We reserve the right to change details of design, materials and finish.
 www.lightolier.com © 2009 Philips Group • F0709

Performance & Quick Calculators



Report No: ITL58170
Cat No: CT3GPCH4U1
Efficiency: 35.5%
Lamps: 2 FQ54W/840/HO
 (Amalgam Lamp)
Lumens: 4900

ZONE DEG.	Candlepower				
	0	22	45	67	90
180	0	0	0	0	0
175	0	0	0	0	0
165	0	0	0	0	0
155	0	0	0	0	0
145	0	0	0	0	0
135	0	0	0	0	0
125	0	0	0	0	0
115	0	0	0	0	0
105	0	0	0	0	0
95	0	0	0	0	0
90	0	0	0	0	0
85	5	3	3	3	3
75	25	21	17	18	18
65	92	82	78	109	110
55	479	507	339	309	363
45	897	1070	963	771	679
35	1149	1440	1441	1445	1474
25	1349	1599	1758	1785	1805
15	1488	1592	1828	1953	1980
5	1573	1585	1616	1645	1656
0	1578	1578	1578	1578	1578

Coefficients of Utilization

% Effective Ceiling Cavity Reflectance

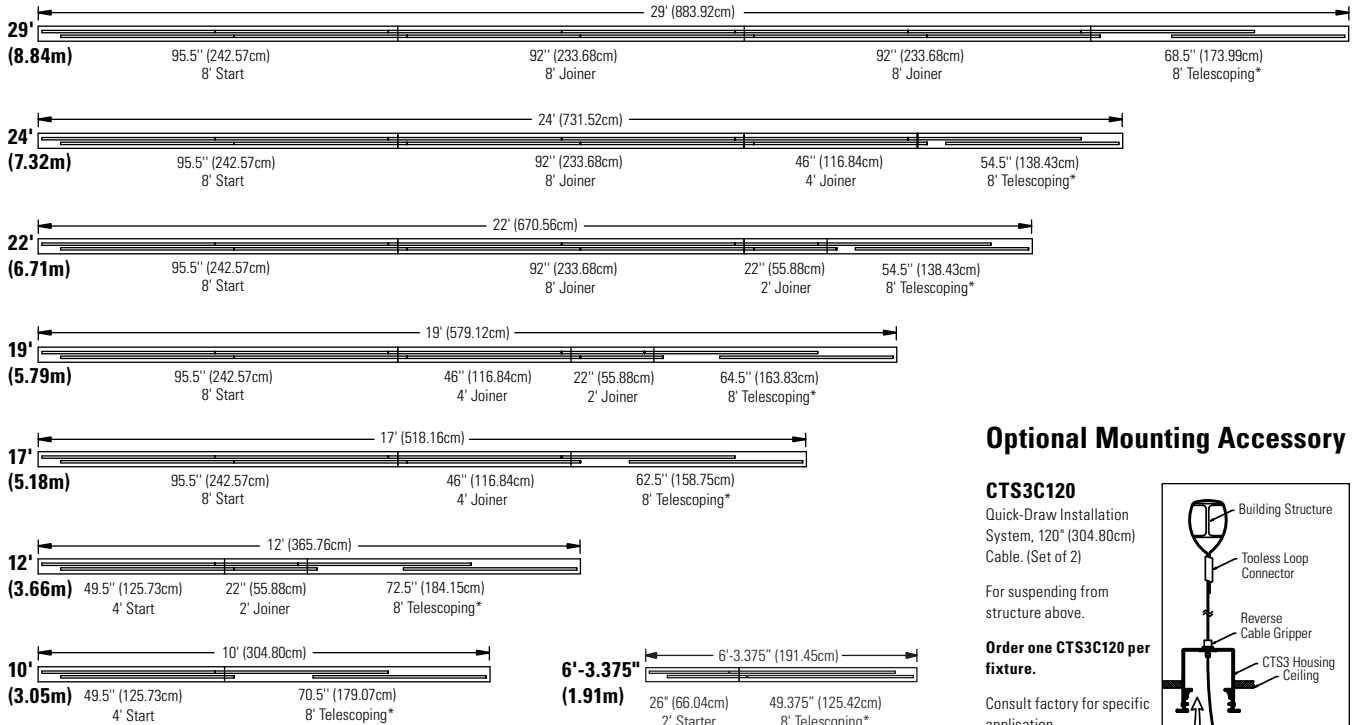
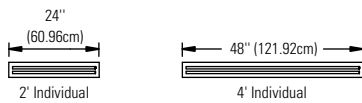
Room Cavity Ratio	% Effective Ceiling Cavity Reflectance								
	80			70			50		
	-% WALL REFLECTANCE								
	50	30	10	50	30	10	50	30	10
0	42	42	42	41	41	41	38	38	38
1	38	37	36	38	37	36	35	34	34
2	35	33	31	34	32	31	32	31	30
3	31	29	27	31	29	27	29	28	26
4	29	26	24	28	26	24	26	25	23
5	26	23	21	26	23	21	24	22	21
6	24	21	19	23	21	19	22	20	19
7	22	19	17	21	19	17	20	18	17
8	20	17	15	20	17	15	19	17	15
9	18	16	14	18	16	14	18	15	14
10	17	15	13	17	14	13	16	14	13

Floor Cavity Reflectance = 20%

ZONAL LUMEN SUMMARY

ZONE	LUMENS	% BARELAMP	% LUMINAIRE
0-90	3483	35.5	100.0
90-180	0.0	0.0	0.0
0-180	3483	35.5	100.0

Sample Runs



* Telescoping fixture ranges from 85-3/8" (216.85cm) to 49-3/8" (125.41cm).
 For best two-lamp effect, use Telescoping fixture in shortest length possible.

Optional Mounting Accessory

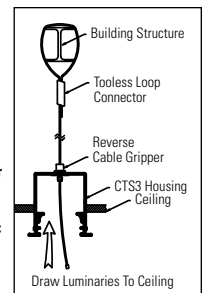
CTS3C120

Quick-Draw Installation System, 120" (304.80cm) Cable. (Set of 2)

For suspending from structure above.

Order one CTS3C120 per fixture.

Consult factory for specific application.



Job Information

Type:

631 Airport Road, Fall River, MA 02720 • (508) 679-8131 • Fax (508) 674-4710
 We reserve the right to change details of design, materials and finish.
 www.lightolier.com © 2009 Philips Group • F0709