

CHLORIDE SYSTEMS

a Genlyte company

TYPE: _____

CATALOG NO.: _____

GENERAL DESCRIPTION

The Chloride CPM Series emergency power module is designed to support 12 VDC outdoor or indoor emergency luminaires located within close proximity of an emergency exit. The CPM power module can be recessed into either a mechanical or sheetrock ceiling and emergency power routed to building mounted exterior emergency luminaires and/or emergency luminaires located inside the building. The CPM Series emergency power module offers an inconspicuous alternative to wall-mounted emergency products used to support remote emergency luminaires.

ILLUMINATION

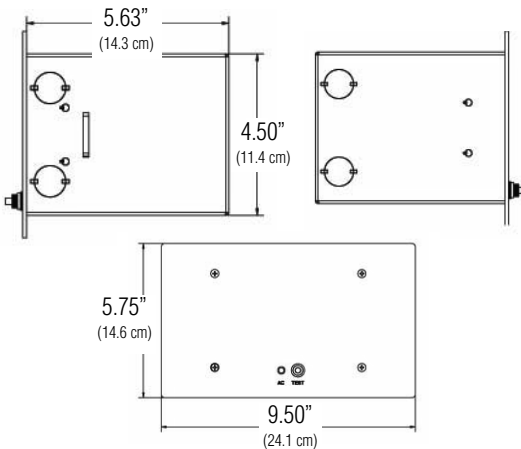
*See selections on back page

The CPM Series is a suggested emergency power source for the "PathMaster" interior/exterior low level LED Luminaire, the "CEF" MR16 exterior wall/soffit remote, and the "CER" recessed MR16 exterior remote. (See back page)
Any 12 VDC remote emergency luminaire can also be powered by the CPM power module.

INSTALLATION

The CPM Series, when installed in a mechanical ceiling system, utilizes a metal rough-in enclosure that can be secured to the ceiling structure via an optional bar hanger kit or via support cables suspending the unit from permanent building structures. Sheetrock ceiling installations allow the rough-in enclosure to attach to ceiling joists via screw hole knockouts in the enclosure. The trim plate is secured to the rough-in enclosure via four oval head screws. A safety hook device is supplied to support the trim plate during installation.

DIMENSIONS



CPM

12 VDC, 50 and 75 Watt

Emergency Power for Support of Outdoor Emergency Luminaires

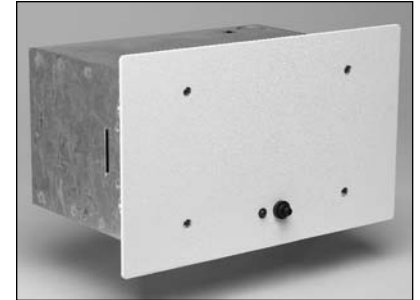
HOUSING

The CPM power module rough-in enclosure is fabricated from 20 gauge die formed galvanized steel.

The trim plate is fabricated from 12-gauge steel and is painted with a matte white powder coat finish.

The trim plate is also offered with an optional matte black finish.

Knockouts for conduit as well as screw hole knockouts for mounting to joist are conveniently located on the back box.



SHOWN: CPM50LW

ELECTRONICS

The CPM Power module utilizes an automatic voltage regulated charging system.

The 2-state charger eliminates the need for periodic battery exercising.

It is recommended that a monthly load test of a minimum of (1) minute be performed and recorded to satisfy NFPA 101 life safety requirements.

A momentary test switch and normal power indicator lamp are located on the trim plate to assist testing and visual inspection of the product.

A pre-wired plug in receptacle is provided within the enclosure for routing 12 VDC emergency power to remote emergency luminaires.

BATTERY

The CPM Power module is supplied with maintenance free sealed lead calcium battery with a designed 5-year service life. The CPM50 Power module uses (2) 100-1-136 batteries. The CPM50 Power module will supply 50 watts at 12VDC for 90 minutes. The CPM75 uses two 100-1-188 batteries and will supply 75 watts at 12VDC for 90 minutes.

CODE COMPLIANCE

UL924 Listed

UL924 Damp location listed optional*

NFPA 101

*50 watt models only

WARRANTY

Three-year full electronics warranty

One year full plus four year prorated lead calcium battery warranty

ACCESSORIES

(ORDER AS SEPARATE ITEM)

BHK1= Bar hanger kit for mechanical ceilings

ELECTRICAL SPECIFICATIONS

CPM50 120 VAC .22
277 VAC .11

CPM75 120 VAC .21
277 VAC .11

CPM50DL 120 VAC .22
277 VAC .11

OPERATING TEMPERATURE RANGE

Standard Unit: 65°F (19°C) to 85°F (30°C)

Damp Location: 50°F (10°C) to 104°F (40°C)

ORDERING INFORMATION

CPM

SERIES

CPM = Chloride Power Module

50

OUTPUT WATTAGE

50 = 50 Watts
75 = 75 Watts

L

BATTERY

L = Sealed Lead Calcium

W

TRIM COVER FINISH

W=White
B=Black

—

□

OPTIONS

DL = Damp Location*

*Damp Location Available on 50W Version Only



CHLORIDE SYSTEMS
a Genlyte company

272 West Stag Park Service Road • Burgaw NC 28425
Telephone: (910) 259 1000 • Facsimile: (800) 258 8803
www.chloridesys.com

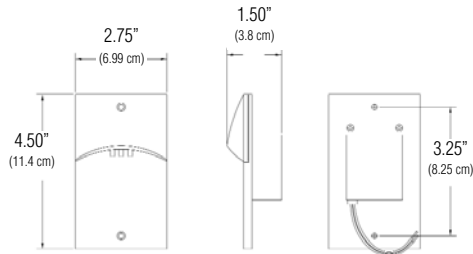
C1343
10/04 IH

Recommended Product Selection to be used with the CPM Series

Additional "PathMaster" Luminaire Selections

P1CWHI = White, Indoor P1CWHO = White, Outdoor
 P1CBKI = Black, Indoor P1CBKO = Black, Outdoor
 P1CIVI = Ivory, Indoor P1CIVO = Ivory, Outdoor

- *Maximum of (8) luminaires on high setting, can be operated by the CPM50 Series.
- *Maximum of (13) luminaires on high setting can be operated by the CPM75 Series
- *Consult factory for custom colors

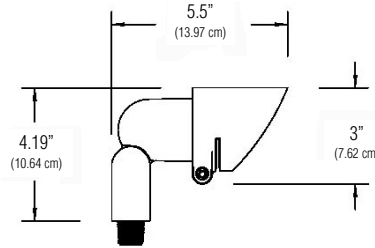


Model No. P1WHI

Additional "CEF Series" Luminaire Selections

CEFBK = Black
 CEFBZ = Bronze

- *Maximum of 75 watts of connected luminaires can be operated by the CPM Series
- *Lamps and mounting plates sold separately

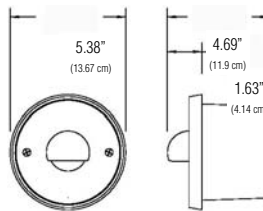


Model No. CEFBZ

Additional "CER Series" Luminaire Selections

CERBK = Black
 CERBZ = Bronze

- *Maximum of 75 watts of connected luminaires can be operated by the CPM Series
- *Lamps sold separately



Model No. CERBK

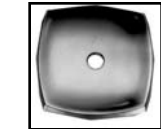
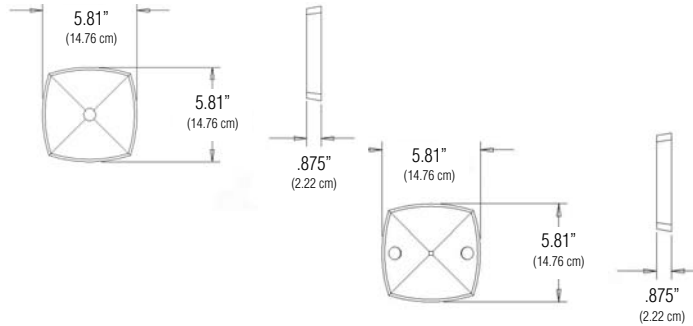
Additional Mounting Plate Selections

Single

OL1BK = Black
 OL1BZ = Bronze

Double

OL2BK = Black
 OL2BZ = Bronze



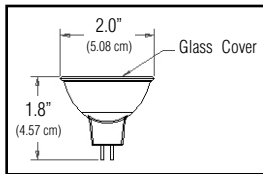
Model No. OL1BK



Model No. OL2BK

MR 16 Lamp Selections

12MR20FL = 12 volt, 20 watt, 25° Beam Spread
 12MR20WFL = 12 volt, 20 watt, 40° Beam Spread
 12MR35FL = 12 volt, 35 watt, 25° Beam Spread
 12MR35WFL = 12 volt, 35 watt, 40° Beam Spread
 12MR50FL = 12 volt, 50 watt, 25° Beam Spread
 12MR50WFL = 12 volt, 50 watt, 40° Beam Spread



*Refer to ordering information for unit capacity. Do not over-rate.

SUGGESTED SPECIFICATION

Furnish and install Chloride Systems recessed emergency lighting model _____. The unit shall be constructed to meet Underwriter's Laboratories, Inc standard 924 and the National Electrical Code (NEC).

INSTALLATION AND OPERATION - Unit shall be easily field connected to a 120 or 277 VAC, 60 hertz, unswitched power source. The installation must comply with the NEC as well as other applicable codes. Upon utility power failure or brownout, the unit shall automatically and instantaneously transfer to battery power and maintain the required illumination for a minimum period of 90 minutes. Upon restoration of utility power, the charger shall restore the battery to full charge within UL 924 requirements following a rated discharge of not more than 90 minutes.

CHARGING CIRCUITRY - The product shall utilize a fully automatic, voltage regulated charging system. The charging system shall maintain the battery at full capacity without the need for periodic exercising or equalization. The following features shall be standard: Low voltage disconnect (LVD), Brownout protection and a labor saving AC lockout which allows the contractor to fully connect the unit during installation prior to energizing the unit with utility line voltage.

BATTERY - The battery shall be sealed, maintenance-free lead calcium with a designed life of 5 to 7 years under ambient temperatures of 65° F to 85° F. The lead calcium battery shall be fully warranted for a period not less than one year.

HOUSING - The recessed back box shall be constructed of 20 gauge galvanized steel and be capable of installation into mechanical (T-bar) or sheet rock ceilings. The faceplate shall be constructed of 12 gauge steel and provide manual test switch and AC-on indicator status.

ALL SPECIFICATIONS SUBJECT TO CHANGE WITHOUT NOTICE.



CHLORIDE
 SYSTEMS
 a Genlyte company

272 West Stag Park Service Road • Burgaw NC 28425
 Telephone: (910) 259 1000 • Facsimile: (800) 258 8803
 www.chloridesys.com