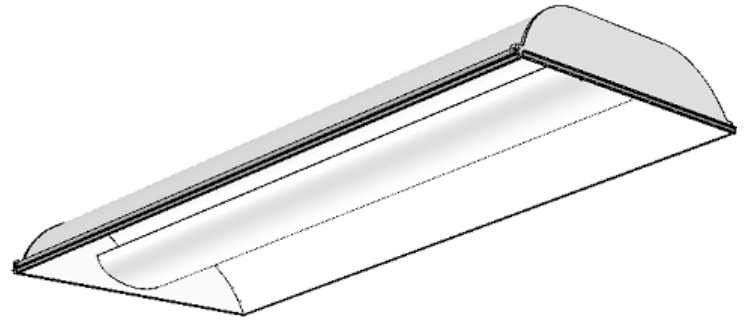


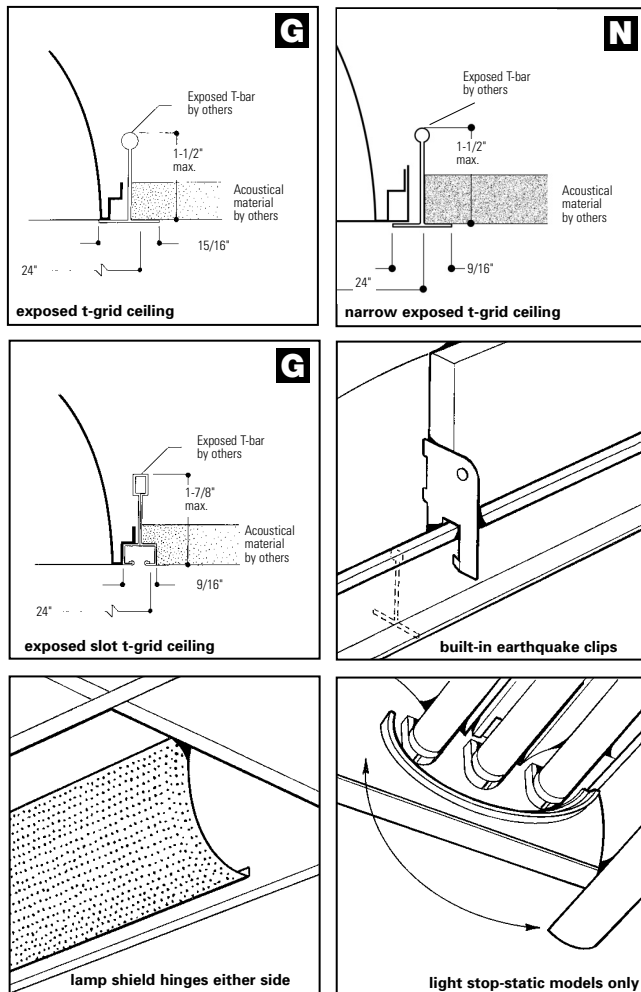
Direct/Indirect High Performance Recessed Fluorescent 2' x 4' with Perforated Basket ~ Static, 2 or 3 Lamp T8

Features

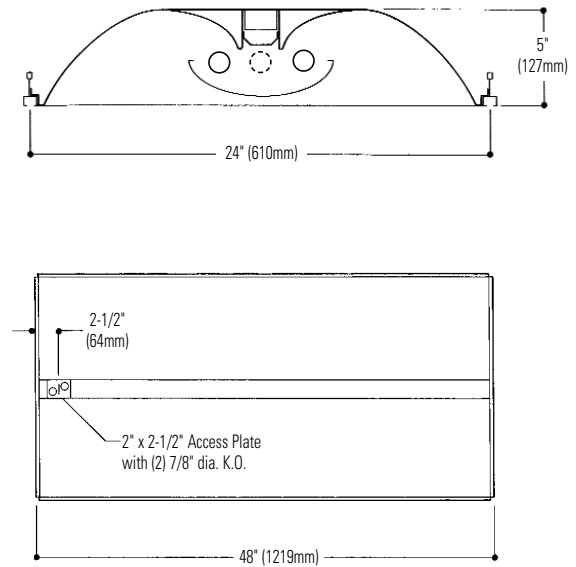
- Direct/indirect lamp shield appearance with soft contoured interior.
- Perforated mesh lamp basket with unique TransOptix lens.
- Body 95% reflective Flat White Powder Coated.
- 95% Internal Mirro reflector.
- 73.4% efficient (2 lamp).
- 66.9% efficient (3 lamp).
- Spacing to mounting ratio 1.3.
- Only 5" deep.
- Tension screws secure ends to body.
- Same fixture fits both G and T ceiling.
- Fits flush to face of slot grid (T) ceiling.
- Injection molded light stop at basket ends.
- Perforated lamp shield hinges from either side.
- Ballast accessible thru lamp compartment from room side.
- Can be continuous row mounted.
- Wiring access plate standard.
- Construction to meet NYC Code or Chicago Plenum requirement is available.



Mounting Methods



Dimensions



Job Information

Type:

Job Name:

Cat. No.:

Lamp(s):

Volts/Ballast:

For Factory Technical Information: (978) 657-7600 • Fax (978) 658-0595
631 Airport Road, Fall River, MA 02720 • (508) 679-8131 • Fax (508) 674-4710
We reserve the right to change details of design, materials and finish.
www.lightolier.com © 2009 a Philips Group

04/09

Section 5/Folio M15-66

Direct/Indirect High Performance Recessed Fluorescent 2' x 4' with Perforated Basket ~ Static, 2 or 3 Lamp T8

Model No. CFS2GHP232UNVHI

LER = FP - 68.2 IW - 58.7 BF - 0.88
Comparative yearly lighting energy cost per 1000 lumens = \$3.52

Report Number: G2008246
Catalog Number: CFS2GHP232UNVHI
Lamps: F32 T8/ADV/841/ALTO PLPS
Luminaire: Coffaire HP 2'x4' with 95% reflective white reflectors and perforated basket.
Ballast: B232I-UNVHP-B Universal
Report is based on 3100 Lumens per lamp.
Efficiency: 73.4%
CIE Type-Direct-Indirect
Plane: 0-Deg 90-Deg
Spacing Criteria: 1.2 1.3
Shielding Angles: 90 90
Plane: 0-Deg 90-Deg
Luminous Length: 46.920 22.920

COEFFICIENTS OF UTILIZATION – ZONAL CAVITY METHOD. EFFECTIVE FLOOR CAVITY REFLECTANCE 0.20

RC	80	50	30
1	80	76	73
2	72	66	61
3	66	58	52
4	60	51	45
5	55	46	39
6	51	41	34
7	47	36	31
8	44	34	28
9	41	31	25
10	38	29	23

CANDELA DISTRIBUTION

	0.0	45.0	90.0	FLUX
0	1537	1537	1537	
5	1528	1530	1533	146
15	1462	1479	1496	418
25	1338	1383	1431	638
35	1167	1251	1325	781
45	953	1076	1174	825
55	711	870	987	770
65	458	633	709	602
75	231	302	304	309
85	50	52	50	61
90	5	5	4	

ZONAL LUMEN SUMMARY

ZONE	LUMENS	% LAMP	% FIXT
0- 30	1202	19.4	26.4
0- 40	1983	32.0	43.6
0- 60	3578	57.7	78.6
0- 90	4550	73.4	100.0
90-180	0	0.0	0.0
0-180	4550	73.4	100.0

LUMINANCE DATA IN CANDELA/SQ. METER

AVERAGE IN DEG.	AVERAGE 0-DEG.	AVERAGE 45-DEG.	AVERAGE 90-DEG.
45	1942.	2192.	2392.
55	1786.	2185.	2479.
65	1561.	2158.	2417.
75	1786.	1681.	1692.
85	827.	860.	827.

Model No. CFS2GHP332UNVH3

LER = FP - 64.6 IW - 85.78 BF - 0.89
Comparative yearly lighting energy cost per 1000 lumens = \$3.71

Report Number: G2008270
Catalog Number: CFS2GHP332UNVH3
Lamps: F32 T8/ADV/841/ALTO PLPS
Luminaire: Coffaire HP 2'x4' with 95% reflective white reflectors and perforated basket.
Ballast: B332I-UNVHP-A Universal
Report is based on 3100 Lumens per lamp.
Efficiency: 66.9%
CIE Type-Direct-Indirect
Plane: 0-Deg 90-Deg
Spacing Criteria: 1.2 1.3
Shielding Angles: 90 90
Plane: 0-Deg 90-Deg
Luminous Length: 46.920 22.920

CANDELA DISTRIBUTION

	0.0	45.0	90.0	FLUX
0	2156	2156	2156	
5	2136	2144	2155	204
15	2038	2072	2105	585
25	1860	1935	2014	893
35	1613	1740	1859	1087
45	1308	1485	1629	1139
55	963	1176	1324	1037
65	609	822	929	790
75	302	392	414	404
85	64	69	65	80
90	8	7	6	

ZONAL LUMEN SUMMARY

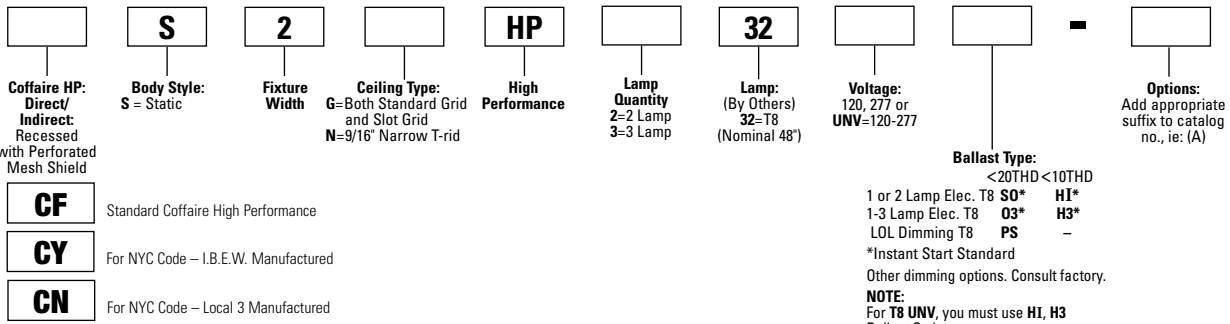
ZONE	LUMENS	% LAMP	% FIXT
0- 30	1682	18.1	27.0
0- 40	2769	29.8	44.5
0- 60	4945	53.2	79.5
0- 90	6220	66.9	100.0
90-180	0	0.0	0.0
0-180	6220	66.9	100.0

LUMINANCE DATA IN CANDELA/SQ. METER

AVERAGE IN DEG.	AVERAGE 0-DEG.	AVERAGE 45-DEG.	AVERAGE 90-DEG.
45	2665.	3026.	3319.
55	2419.	2954.	3326.
65	2076.	2802.	3167.
75	1681.	2193.	2305.
85	1058.	1141.	1075.

Ordering Information

Explanation of Catalog Number. Example: CFS2GHP232UNVHI



Options/Accessories

Fusing: Internal fast blow fusing: SUFFIX: **A**.
Internal slow blow fusing: SUFFIX: **C**.

Drywall Kit: Order Catalog Number: **FK92X4**.

Electrical Wiring Options: Consult factory.

Chicago Plenum: SUFFIX: **C**.

Specifications

Performance: In an installation of 2 lamp 32W luminaires in a room cavity ratio of 1, with reflectance 80% ceiling, 50% wall, 20% floor, the C.U. shall not be less than .76. To reduce glare the average brightness at 65° shall not exceed 2417 candelas per square meter. To control veiling reflections, luminaire output in the 30°-90° zone shall not be less than 73.6%.

Materials: Chassis parts are die-formed code gauge steel.

Lamp Shield: 22 gauge steel perforated mesh lamp shield with unique TransOptix lens.

Finish: Chassis exterior – 95% reflective white baked polyester enamel. Rust preventative undercoating. **Cavity** – 95% reflective white baked polyester

Specifications (continued)

enamel. **Reflector** – 95% reflective Miro aluminum reflector. **Lamp Shield** – 95% reflective white baked polyester enamel.

Electrical: Thermally protected class "P" ballast C.B.M. approved, non PCB. If K.O. is within 3" of ballast, use wire suitable for at least 90°. UL Listed for damp locations.

Labels: I.B.E.W./UL and ULc Listed.

This product may have a mercury containing lamp. Manage in accord with Disposal Laws. See: www.lamprecycle.org

Job Information

Type:

For Factory Technical Information: (978) 657-7600 • Fax (978) 658-0595
631 Airport Road, Fall River, MA 02720 • (508) 679-8131 • Fax (508) 674-4710
We reserve the right to change details of design, materials and finish.
www.lightolier.com © 2009 a Philips Group

Section 5/Folio M15-66