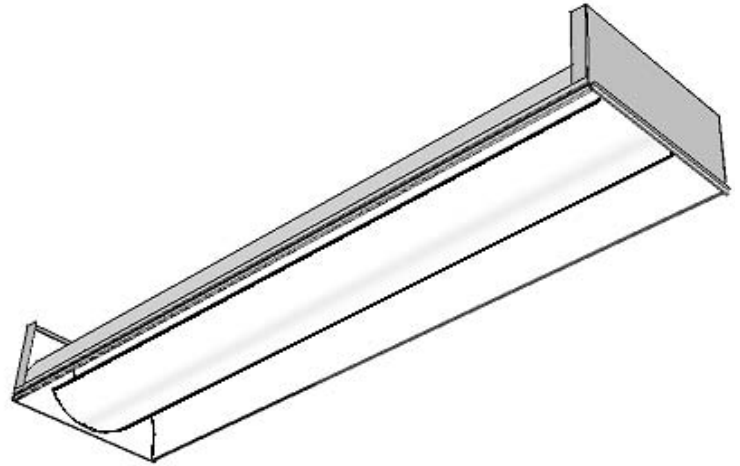


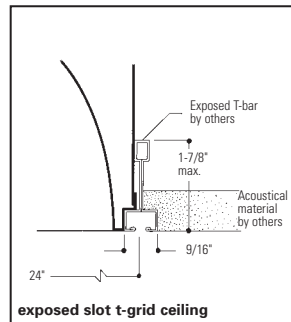
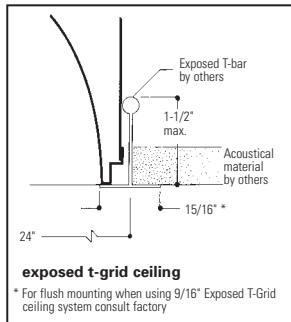
High Performance Recessed Fluorescent Direct/Indirect 1' x 4' with Perforated Basket ~ Static 1 or 2 Lamp T8 or T5

Features

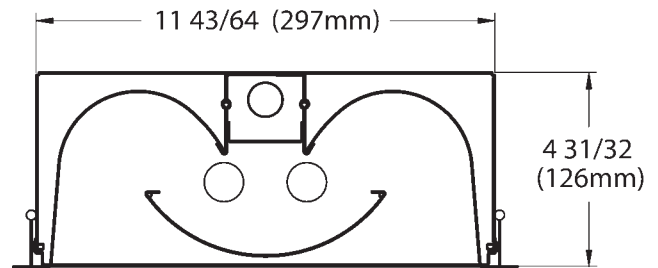
- Direct/indirect lamp shield appearance with soft contoured interior.
- Perforated mesh lamp basket with unique TransOptix lens.
- Body 95% reflective Flat White Powder Coated.
- 95% Internal Mirro reflector.
- 69.1% efficient (2 lamp 32W T8).
- 77.4% efficient (2 lamp 28W T5).
- Only 4-31/32" deep.
- Same fixture fits both G and T ceiling types.
- Fits flush to face of slot grid (T) ceiling.
- Injection molded light stop at basket ends.
- Ballast accessible thru lamp compartment from room side.
- Perforated lamp shield hinges from either side.
- Can be continuous row mounted.
- Wiring access plate standard.
- 2 earthquake clips standard.
- Housing is 20 gauge steel, meets NYC Code requirements.
- Construction to meet Chicago Plenum requirements is available.



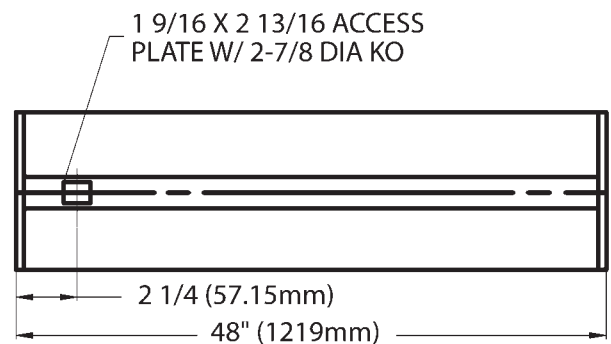
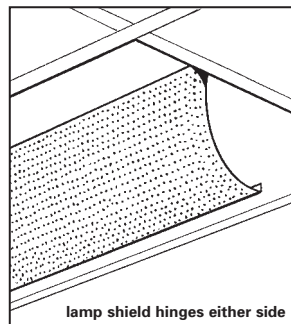
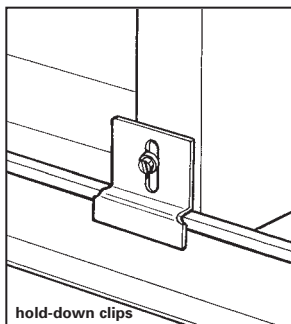
Mounting Methods



Dimensions



Features



Job Information Type:

Job Name:

Cat. No.:

Lamp(s):

Volts/Ballast:

High Performance Recessed Fluorescent Direct/Indirect 1' x 4' with Perforated Basket ~ Static 1 or 2 Lamp T8 or T5

Model No. CFS1GHP232UNVHI

LER = FP - 65.7 IW - 57.4 BF - 0.88
Comparative yearly lighting energy cost per 1000 lumens = \$3.65

Report Number: G2009088
Catalog Number: CFS1GHP232UNVHI
Lamps: (2) F32T8/ADV/841/ALTO
Luminaire: Coffaire HP 1'x4' with 95% reflective white reflectors and perforated basket.
Ballast: B232I-UNV-HP-B
Report is based on 3100 Lumens per lamp.
Efficiency: 69.1%
CIE Type-Direct-Indirect
Plane: 0-Deg 90-Deg
Spacing Criteria: 1.2 1.2
Shielding Angles: 90 90
Plane: 0-Deg 90-Deg
Luminous Length: 46.920 10.920

CANDELA DISTRIBUTION

	0.0	45.0	90.0	FLUX
0	1631	1637	1637	
5	1613	1621	1630	154
15	1543	1547	1559	438
25	1419	1417	1428	655
35	1239	1229	1255	776
45	1014	1005	1050	785
55	757	758	792	681
65	491	490	502	486
75	525	236	224	248
85	50	51	51	59
90	0	0	0	

ZONAL LUMEN SUMMARY

ZONE	LUMENS	% LAMP	% FIXT
0- 30	1247	20.1	29.1
0- 40	2023	32.6	47.2
0- 60	3490	56.3	81.5
0- 90	4283	69.1	100.0
90-180	0	0.0	0.0
0-180	4283	69.1	100.0

LUMINANCE DATA IN CANDELA/SQ. METER

AVERAGE IN DEG.	AVERAGE 0-DEG.	AVERAGE 45-DEG.	AVERAGE 90-DEG.
45	4337.	4298.	4491.
55	3991.	3996.	4176.
65	3513.	3506.	3592.
75	2944.	2757.	2617.
85	1735.	1770.	1770.

COEFFICIENTS OF UTILIZATION - ZONAL CAVITY METHOD. EFFECTIVE FLOOR CAVITY REFLECTANCE 0.20

RC	80	50	30	10
1	72	69	68	64
2	69	63	59	56
3	63	56	50	48
4	58	50	44	42
5	53	44	38	37
6	49	40	34	33
7	46	36	30	29
8	42	33	27	26
9	40	30	25	24
10	37	28	23	22

Model No. CFS1GHP228120WA

LER = FP - 67.6 IW - 55.4 BF - 0.93
Comparative yearly lighting energy cost per 1000 lumens = \$3.55

Report Number: G2009092
Catalog Number: CFS1GHP228120VWA
Lamps: (2) F28T5/835/ALTO
Luminaire: Coffaire HP 1'x4' with 95% reflective white reflectors and perforated basket.
Ballast: WA Energy Saver System
Report is based on 2600 Lumens per lamp.
Efficiency: 77.4%
CIE Type-Direct-Indirect
Plane: 0-Deg 90-Deg
Spacing Criteria: 1.2 1.2
Shielding Angles: 90 90
Plane: 0-Deg 90-Deg
Luminous Length: 46.920 10.920

CANDELA DISTRIBUTION

	0.0	45.0	90.0	FLUX
0	1530	1530	1530	
5	1516	1530	1530	145
15	1453	1450	1461	411
25	1335	1329	1343	615
35	1167	1157	1184	730
45	956	948	989	740
55	716	714	743	642
65	465	459	462	456
75	235	218	208	231
85	45	50	50	56
90	0	0	0	

COEFFICIENTS OF UTILIZATION - ZONAL CAVITY METHOD. EFFECTIVE FLOOR CAVITY REFLECTANCE 0.20

RC	80	50	30	10
1	85	81	78	74
2	77	71	66	63
3	70	63	56	54
4	65	56	49	47
5	59	50	43	41
6	55	45	38	37
7	51	41	34	33
8	48	37	31	30
9	44	34	28	27
10	42	32	25	24

ZONAL LUMEN SUMMARY

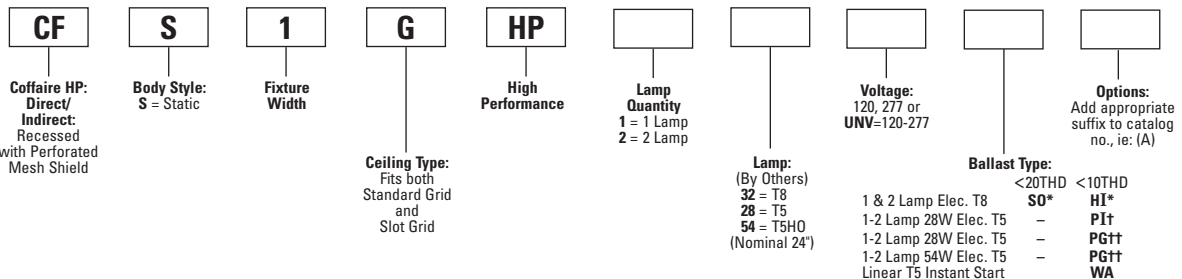
ZONE	LUMENS	% LAMP	% FIXT
0- 30	1170	22.5	29.1
0- 40	1900	36.5	47.2
0- 60	3282	63.1	81.5
0- 90	4026	77.4	100.0
90-180	0	0.0	0.0
0-180	4026	77.4	100.0

LUMINANCE DATA IN CANDELA/SQ. METER

AVERAGE IN DEG.	AVERAGE 0-DEG.	AVERAGE 45-DEG.	AVERAGE 90-DEG.
45	4089.	4054.	4230.
55	3775.	3764.	3917.
65	3327.	3284.	3306.
75	2746.	2547.	2430.
85	1561.	1735.	1735.

Ordering Information

Explanation of Catalog Number. Example: CFS1GHP232UNVHI



Options/Accessories

Fusing: Internal fast blow fusing: SUFFIX: **A**.
Internal slow blow fusing: SUFFIX: **C**.
Drywall Kit: Order Catalog Number: **FK91X4**.
Electrical Wiring Options: Consult factory.
Chicago Plenum: SUFFIX: **C**.

Specifications

Performance: In an installation of 2 lamp 32W luminaires in a room cavity ratio of 1, with reflectance 80% ceiling, 50% wall, 20% floor, the C.U. shall not be less than .72. To reduce glare the average brightness at 65° shall not exceed 3592 candelas per square meter. To control veiling reflections, luminaire output in the 30°-90° zone shall not be less than 70.9%.

Materials: Chassis parts are die-formed code gauge steel.

Lamp Shield: 22 gauge steel perforated mesh lamp shield with unique TransOptix lens.

Finish: Chassis exterior - White baked polyester enamel. Rust preventative under-coating. Cavity - 95% reflective white baked polyester enamel. Reflector - 95% reflective Miro aluminum reflector. Lamp Shield - 95% reflective white baked polyester enamel.

Specifications (continued)

Electrical: Thermally protected class "P" ballast C.B.M. approved, non PCB. If K.O. is within 3" of ballast, use wire suitable for at least 90°. UL Listed for damp locations.

Labels: I.B.E.W./UL and ULc Listed.

This product may have a mercury containing lamp. Manage in accord with Disposal Laws. See: www.lamprecycle.org

Job Information Type: