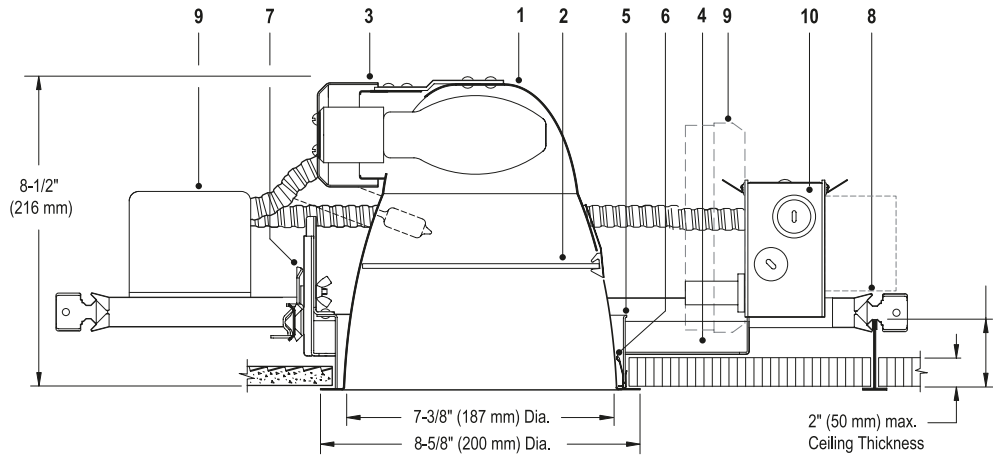
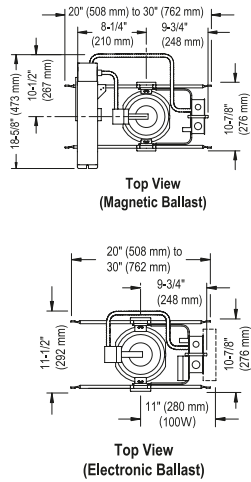




# Calculite® HID Downlight C7E17HW



Ceiling Cutout: 8" (203 mm) Dia.

Reflector Trim	Frame-In Kit	Lamp (Coated, Ceramic MH)
<b>C7E17HW CLW</b> Specular Clear White Painted Flange.	<b>C770MHE1</b> Electronic 120V	70W ED17, BD17 (Enclosed)
<b>CLP</b> Specular Clear Matching Flange.	<b>C770MHE2</b> Electronic 277V	70W ED17, BD17 (Enclosed)
<b>CCDW</b> Comfort Clear Diffuse, White Painted Flange.	<b>C710MHE1</b> Electronic 120V	100W ED17, BD17 (Enclosed)
<b>CCDP</b> Comfort Clear Diffuse, Matching Flange.	<b>C710MHE2</b> Electronic 277V	100W ED17, BD17 (Enclosed)
<b>CCZW</b> Champagne Bronze, White Painted Flange.	<b>C770MHU</b> Magnetic 120V/277V	70W ED17, BD17 (Enclosed)
<b>CCZP</b> Champagne Bronze, Matching Flange.	<b>C710MHU</b> Magnetic 120V/277V	100W ED17, BD17 (Enclosed)

## Features

- Reflector Trim:** Clear anodized aluminum, 0.040" (16-ga.). Provides Wide beam distribution; 50° visual cut-off to lamp and lamp image; self-flange in painted white or aperture-matching polished flange. Consult factory for other finishes.
- Lamp Guard:** High heat resistant glass (as required by code).
- Socket Cup:** Galvanized steel. Pre-wired with medium base pulse rated socket. Snaps onto upper reflector for secure attachment without tools; assures proper lamp alignment to optics for consistent performance.
- Mounting Frame:** 0.048" (18-ga.) galvanized steel includes pre-installed mounting bars.
- Mounting Ring:** 0.048" (18-ga.) galvanized steel. Designed for vertical adjustment from above or below for ceilings from 0" to 2" thick. Center-line notches allow consistent alignment of multiple fixtures.
- Retention Springs:** Rust resistant springs secure cone in place for quick, tool-less installation.
- Frame Vertical Adjustment Mechanism:** Vertical adjustment mechanism accommodates mounting to virtually any ceiling system using pre-installed mounting bars, or 1/2" EMT tubing (by others). Single locking feature secures all adjustments. Alignment holes and markings allow fixture to be pre-set prior to installation.
- Mounting Bars:** 0.048" (18-ga.) Pre-installed, telescoping bars extend to 30" long and lock securely into position. Built-in locking tabs provide positive attachment to common T-bar systems. Self-centering feature simplifies installation in 24" O.C. grid systems. Attaches to steel or wood joists without accessories.
- Ballast:** Electronic 120V or 277V. Magnetic dual voltage (120V & 277V). Accessible from below for inspection and/or replacement without tools.
- Junction Box:** 0.048" (18-ga.) galvanized steel. UL listed for 8 No. 12 AWG, 90°C through branch circuit conductors; allows inspection from below.

## Electrical

**Electronic Ballast:** 120V or 277V, 50/60 Hz., enclosed, high-power factor, T.H.D. <15%, thermally and transient protected, RMI / RFI complies with FCC Part 18 non-consumer equipment, shut-down circuit at end of lamp life, sound rating "A", -5°F minimum starting temperature, Type 1 outdoor rating.

Ballast	ANSI Code	Voltage	Max. Amps	Input Watts
70W MH	M198/M143	120/277	0.67/0.28	78
100W MH	M90/M140	120/277	0.90/0.43	110

## Electrical (cont.)

**Magnetic Ballast:** 120/277V dual voltage, 60 Hz., encased and potted, HX-HPF circuit type, high power factor, sound rating "B", -20°F minimum starting temperature, Type 1 Outdoor rating.

Ballast	ANSI Code	Voltage	Max. Amps	Input Watts
70W MH	M98/M143	120/277	1.90/0.80	94
100W MH	M90/M140	120/277	2.40/1.10	125

## Options and Accessories

- Auxiliary:** Add suffix **A** to Frame-In Kit and Reflector Trim. See Spec.Sheet "A".
- Emergency:** Add suffix **E** to Reflector Trim and Frame-In Kit. See Spec.Sheet "E".
- Slope Ceiling Adapters:** See Specification Sheet SCA.
- Fuse (magnetic ballast):** Add suffix **F1** or **F2** to Frame in Kit (F1=120V, F2=277V)
- Chicago Plenum:** Consult Factory

## Labels

UL (Suitable for Damp Locations), CSA, (magnetic ballast only). I.B.E.W.  
For 100W, install fixtures with minimum spacing: 2 feet from center-to-center of adjacent luminaires; 1/2 inch from top of luminaire to overhead building member; 1 foot from luminaire center to side building member.

Job Information	Type:
Job Name:	
Cat. No.:	
Lamp(s):	
Notes:	

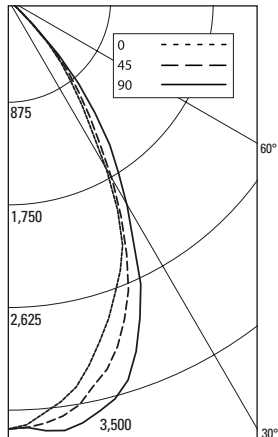
Lightolier a Genlyte Thomas Company [www.lightolier.com](http://www.lightolier.com)  
631 Airport Road, Fall River, MA 02720 • (508) 679-8131 • Fax (508) 674-4710  
We reserve the right to change details of design, materials and finish.  
© 2004 Genlyte Thomas Group LLC (Lightolier Division) • A0504

LIGHTOLIER®



# Calculite® HID Downlight C7E17HW

### 70W ED17 (ENCLOSED) PHILIPS COATED MH LAMP. LUMEN RATING = 6000 LMS., ELECTRONIC AROMAT BALLAST, CL FINISH REFLECTOR



ANGLE	0°	45°	90°
0	3661	3661	3661
5	3538	3625	3689
10	3352	3507	3664
15	3017	3262	3524
20	2666	2901	3192
25	2310	2392	2677
30	1684	1780	2031
35	1099	1210	1512
40	704	784	937
45	263	295	316
50	29	34	31
55	5	4	6
60	0	0	0
65	0	0	0
70	0	0	0
75	0	0	0
80	0	0	0
85	0	0	0
90	0	0	0

LUMINANCE SUMMARY - CD. / SQ. M.

ANGLE	0°	45°	90°
45	13056	14682	15733
55	276	215	339
65	0	0	0
75	0	0	0
85	0	0	0

ZONAL LUMENS AND PERCENTAGES

ZONE	LUMENS	% LAMP	% LUMINAIRE
0-30	2370	39.51	68.49
0-40	3175	52.93	91.77
0-60	3460	57.68	100
0-90	3460	57.68	100
40-90	284	4.75	8.23
60-90	0	0	0
90-180	0	0	0
0-180	3460	57.68	100

#### Coefficients of Utilization

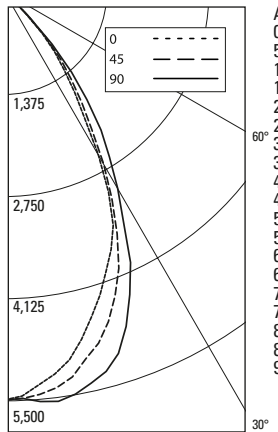
CEILING	80%				70%		50%		30%		0
	70	50	30	10	50	10	50	10	50	10	
WALL	Zonal Cavity Method - Effective Floor Cavity Reflectance = 20%										
RCR	Zonal Cavity Method - Effective Floor Cavity Reflectance = 20%										
0	.69	.69	.69	.69	.67	.67	.64	.64	.61	.61	.58
1	.66	.65	.63	.62	.63	.61	.61	.59	.59	.58	.55
2	.63	.61	.59	.57	.60	.57	.58	.55	.56	.54	.52
3	.61	.58	.55	.53	.57	.53	.55	.52	.54	.51	.50
4	.58	.55	.52	.50	.54	.49	.53	.49	.52	.48	.47
5	.56	.52	.49	.47	.51	.46	.50	.46	.49	.46	.44
6	.53	.49	.46	.44	.49	.44	.48	.43	.47	.43	.42
7	.51	.46	.43	.41	.46	.41	.45	.41	.44	.40	.40
8	.49	.44	.41	.39	.43	.38	.43	.38	.42	.38	.37
9	.46	.41	.38	.36	.41	.36	.40	.36	.40	.36	.35
10	.44	.39	.36	.34	.39	.34	.38	.34	.38	.34	.33

LUMINAIRE INPUT WATTS = 78.0

\*\* EFFICIENCY = 57.7% \*\*  
SC(ALONG) = .9  
SC(ACROSS) = 1.0

CERTIFIED TEST REPORT NO. 2621FR, DATE: MAY 20, 2004  
COMPUTED BY LSI PROGRAM \*\*TEST-LITE\*\*

### 100W ED17 (ENCLOSED) PHILIPS COATED MH LAMP. LUMEN RATING = 9000 LMS., ELECTRONIC AROMAT BALLAST, CL REFLECTOR TRIM



ANGLE	0°	45°	90°
0	5488	5488	5488
5	5304	5434	5530
10	5025	5258	5493
15	4523	4890	5284
20	3996	4349	4786
25	3461	3586	4013
30	2524	2667	3044
35	1646	1812	2265
40	1052	1173	1403
45	392	439	471
50	41	47	44
55	4	4	5
60	0	0	0
65	0	0	0
70	0	0	0
75	0	0	0
80	0	0	0
85	0	0	0
90	0	0	0

LUMINANCE SUMMARY - CD. / SQ. M.

ANGLE	0°	45°	90°
45	19435	21873	23449
55	230	231	323
65	0	0	0
75	0	0	0
85	0	0	0

ZONAL LUMENS AND PERCENTAGES

ZONE	LUMENS	% LAMP	% LUMINAIRE
0-30	3553	39.48	68.56
0-40	4759	52.88	91.84
0-60	5182	57.59	100
0-90	5182	57.59	100
40-90	423	4.7	8.16
60-90	0	0	0
90-180	0	0	0
0-180	5182	57.59	100

#### Coefficients of Utilization

CEILING	80%				70%		50%		30%		0
	70	50	30	10	50	10	50	10	50	10	
WALL	Zonal Cavity Method - Effective Floor Cavity Reflectance = 20%										
RCR	Zonal Cavity Method - Effective Floor Cavity Reflectance = 20%										
0	.69	.69	.69	.69	.67	.67	.64	.64	.61	.61	.58
1	.66	.64	.63	.62	.63	.61	.61	.59	.59	.57	.55
2	.63	.61	.59	.57	.60	.57	.58	.55	.56	.54	.52
3	.61	.57	.55	.53	.57	.53	.55	.52	.54	.51	.50
4	.58	.55	.52	.50	.54	.49	.53	.49	.52	.48	.47
5	.56	.52	.49	.46	.51	.46	.50	.46	.49	.45	.44
6	.53	.49	.46	.44	.48	.44	.48	.43	.47	.43	.42
7	.51	.46	.43	.41	.46	.41	.45	.41	.44	.40	.40
8	.49	.44	.41	.39	.43	.38	.43	.38	.42	.38	.37
9	.46	.41	.38	.36	.41	.36	.40	.36	.40	.36	.35
10	.44	.39	.36	.34	.39	.34	.38	.34	.38	.34	.33

LUMINAIRE INPUT WATTS = 110

\*\* EFFICIENCY = 57.6% \*\*  
SC(ALONG) = .9  
SC(ACROSS) = 1.0

CERTIFIED TEST REPORT NO. 2630FR, DATE: MAY 23, 2004  
COMPUTED BY LSI PROGRAM \*\*TEST-LITE\*\*

**LIGHTOLIER®**

Job Information  Type: