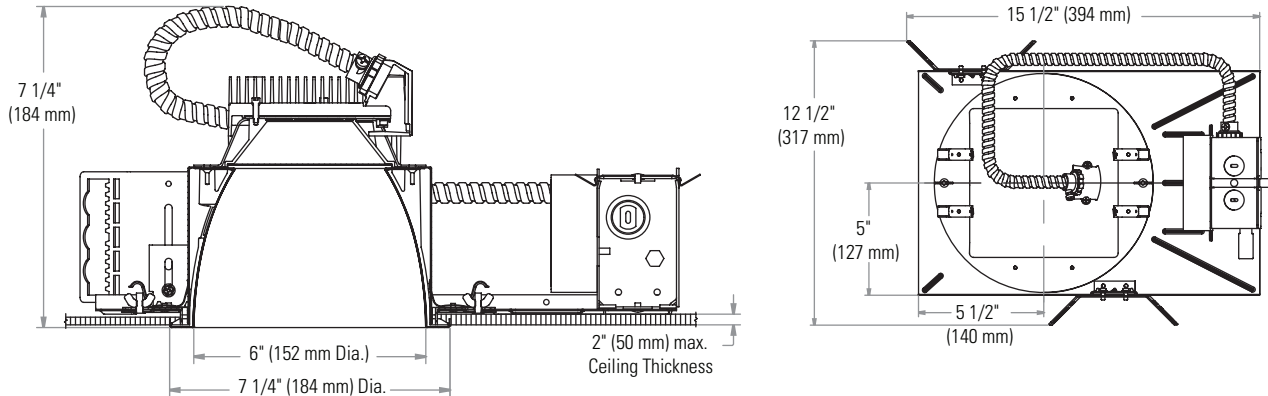


C6X6L20

Calculite LED 6" X 6" Frame-In Kit

Page 1 of 2



Ordering Guide: Frame-in Kits

| Frame-in Kit Series | Installation Options | Input Voltage | Options |
|-----------------------------|-----------------------------|------------------------------------|---|
| C6X6L20 (2000 Lumen) | N (New construction) | 1 (120V) 2 (277V) | Blank (0-10 volt dimming) EM (Emergency) |

Example: C6L15N1EM

| | |
|------------------------|--------------|
| Job Information | Type: |
| Job Name: | |
| Cat. No.: | |
| Notes: | |

PHILIPS
LIGHTOLIER

C6X6L20

Calculite LED 6" X 6" Frame-In Kit

Page 2 of 2

Features

Ceiling Cutout: 6 3/4" x 6 3/4" (172mm x 172mm)

Depth (including Light Engine): See Light Engine specification sheet for details.

Power Connection: Attaches to light engine via push-in connector (on frame). Removable cover provides access.

Junction Box: UL listed for 8 No. 12 AWG, 90°C through branch circuit connectors. Allows inspection from below.

Thermal Protector: Meets NEC & UL requirements. Do not install insulation above nor within 3" of any part of luminaire.

New Construction Frame

Mounting Frame: Galvanized stamped steel for drywall or plaster ceilings.

Vertical Adjustment: Light engine adjusts in frame below ceilings up to 1 1/8".

Mounting Brackets: Galvanized Steel. Adjustable through aperture. Use 3/4" or 1 1/2" lathing channel, 1/2" EMT or optional mounting bars.

Electrical

Electronic Power Supply: 120 or 277V, 50/60Hz, encased, overload and short circuit protected, thermal regulation to protect against overheating, sound rating "A", -20°C minimum starting temperature, 35°C maximum ambient environment. Dimmable with 0-10V dimmer.

| Input Voltage | Input Frequency | Input Current | LED Drive Current | Input Power | LED Power | THD | Power Factor |
|---------------|-----------------|---------------|-------------------|-------------|-----------|-----|--------------|
| 120V | 50/60Hz | 0.36 | 520mA | 39W | 35.4W | <1% | >0.9 |
| 277V | 50/60Hz | 0.17 | 520mA | 39W | 35.4W | <1% | >0.9 |

Rated Life: 100,000 hours

Options and Accessories

Dimming Capability: 0-10V. See LED-DIM specification sheet

Emergency Capability (Integral): Add "EM" suffix. See LED-EM spec sheet.

Emergency Capability (Inverter): See LED-LMI specification sheet

Sloped Ceilings: Slope ceiling adaptor not available.

Mounting Bars: 1950-18" Set of (2)
1951-27" Set of (2)

T-Bar Anchor Clips: 1956-Set of (4), for use with above

Labels

UL, cUL, I.B.E.W.
5 Year Warranty



Philips Lightolier
e: lol.webmaster@philips.com
t: (508) 679-8131
w: www.lightolier.com

C6X6L20 December 5, 2011

Specifications are subject to change without notice.
© Koninklijke Philips Electronics N.V., 2011. All rights reserved.

| | |
|------------------------|--------------|
| Job Information | Type: |
|------------------------|--------------|