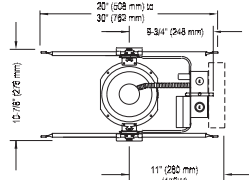
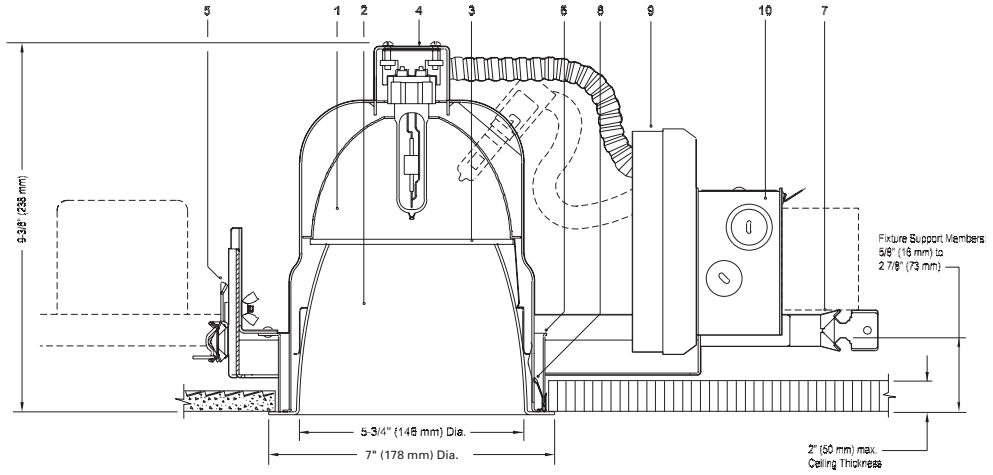


Top View: Magnetic Ballast



Top View: Electronic Ballast

Ceiling Cutout: 6 9/16" (167 mm) Dia.



Reflector Trim		Frame-In Kit	Lamp			
<b>C6T6VW</b>	<b>CLW</b>	Specular Clear, White Painted Flange.	<b>C639T6E1</b>	Electronic 120V	39W T6	Ceramic Metal Halide
	<b>CLP</b>	Specular Clear, Matching Flange.	<b>C639T6E2</b>	Electronic 277V	39W T6	Ceramic Metal Halide
	<b>CCDW</b>	Comfort Clear Diffuse, White Painted Flange.	<b>C670T6E1</b>	Electronic 120V	70W T6	Ceramic Metal Halide
	<b>CCDP</b>	Comfort Clear Diffuse, Matching Flange.	<b>C670T6E2</b>	Electronic 277V	70W T6	Ceramic Metal Halide
	<b>CCZW</b>	Champagne Bronze, White Painted Flange.	<b>C615T6E1</b>	Electronic 120V	150W T6	Ceramic Metal Halide
	<b>CCZP</b>	Champagne Bronze, Matching Flange.	<b>C615T6E2</b>	Electronic 277V	150W T6	Ceramic Metal Halide
			<b>C615T6U</b>	Magnetic 120V/277V	150W T6	Ceramic Metal Halide

## Features

- Upper Reflector:** Clear anodized aluminum, 0.040" (16-ga.). Provides wide beam optics ideal for general lighting. Also available in narrow and medium beam, see C6T6VN and C6T6VM specification sheets.
- Aperture Cone:** Provides 50° visual cut-off to lamp and lamp image; self-flange in painted white or aperture-matching polished flange. Consult factory for other finishes.
- Lamp Shield:** High-temperature glass as required by code, captive during re-lamping. Light diffusion provides exceptionally smooth beam.
- Socket Housing:** Galvanized steel, pre-wired with G12 pulse rated socket. Snaps onto upper reflector for secure attachment without tools; assures proper lamp alignment to optics for consistent performance..
- Mounting Frame:** 0.048" (18-ga.) galvanized steel. Vertical adjustment mechanism accommodates mounting to virtually any ceiling system using mounting bars (provided, or 1/2" EMT tubing (by others). Single locking feature secures all adjustments. Alignment holes and markings allow fixture to be preset prior to installation.
- Mounting Ring:** 0.048"(18-ga.) galvanized steel. Designed for vertical adjustment from above or below for ceilings from 0" to 2" thick. Center-line notches allow consistent alignment of multiple fixtures.
- Mounting Bars:** 0.048" (18-ga.) pre-installed, telescoping bars extend to 30" long and lock securely into position. Built-in locking tabs provide positive attachment to common T-bar systems. Self-centering feature simplifies installation in 24" O.C. grid systems. Attaches to steel or wood joists without accessories.
- Trim Retention Springs:** Rust resistant springs secure reflector/housing for quick, tool-less installation.
- Ballast / Socket Housing / Cover Assembly:** Snaps onto junction box without tools for inspection and ballast replacement, accessible from below.
- Junction Box:** 0.048" (18-ga.) galvanized steel. UL listed for 8 No. 12 AWG, 90°C through branch circuit conductors. Allows inspection from below.
- Thermal Protector:** (Not Shown) Meets NEC and UL requirements. Do not install insulation above nor within 3" (76mm) of any part of the luminaire.

## Electrical

**Electronic Ballast:** 120 or 277V, 50/60 Hz., enclosed, high power factor, T.H.D. <15%, thermally and transient protected, RMI/RFI complies with FCC Part 18 non-consumer equipment, shut-down circuit at end of lamp life, sound rating "A", -5°F (-20°F for 150W) minimum starting temperature, Type 1 outdoor rating.

## Electrical (cont.)

**150W Magnetic Ballast:** 120/277V dual voltage, 60 Hz., enclosed and potted, HX-HPF circuit type, high power factor, sound rating "B", -20°F minimum starting temperature, Type 1 Outdoor rating.

Ballast	ANSI Code	Voltage	Max. Amps	Input Watts
39W MH	M130	120/277	0.39/0.17	44
70W MH	M139	120/277	0.67/0.29	78
150W MH	M142	120/277	1.40/0.60	169/166
* 150W MH	M142	120/277	3.70/1.60	180

\* Magnetic Ballast

## Options and Accessories

**Auxiliary:** Add suffix **A** to Frame-In Kit and Reflector Trim. See Spec.Sheet "A/E". For 277 electronic consult factory.

**Emergency:** Add suffix **E** to Reflector Trim and Frame-In Kit. See Spec. Sheet "A/E".

**Slope Ceiling Adapters:** See Specification Sheet SCA.

**Chicago Plenum:** Consult Factory.

## Labels

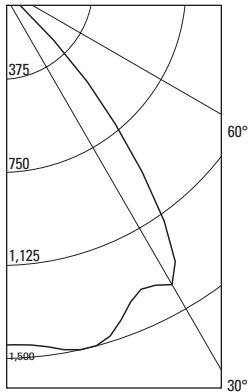
cULus (Suitable for Damp Locations), I.B.E.W. For 150W, install fixtures with minimum spacing; 3 feet from center-to center of adjacent luminaires, 3" from top of luminaire to overhead building member; 1 1/2 feet from luminaire center to side building member.

Job Information	Type:
<b>Job Name:</b>	
<b>Cat. No.:</b>	
<b>Lamp(s):</b>	
<b>Notes:</b>	

631 Airport Road, Fall River, MA 02720 • (508) 679-8131 • Fax (508) 674-4710  
 We reserve the right to change details of design, materials and finish.  
 www.lightolier.com © 2012 Philips Group • C0112

### 39W T6 PHILIPS CMH LAMP, LUMEN RATING = 3400 LMS, AROMAT ELECTRONIC BALLAST, CL FINISH TRIM

**CANDLEPOWER DISTRIBUTION**



ANGLE	MEAN CP	LUMENS
0	1448	
5	1453	139
10	1489	
15	1502	420
20	1431	
25	1349	638
30	1390	
35	1157	695
40	726	
45	308	264
50	24	
55	3	7
60	0	0
65	0	0
70	0	0
75	0	0
80	0	0
85	0	0
90	0	0

**LUMINANCE SUMMARY CD. / SQ. M.**

ANGLE	MEAN CD/SQ.M
45	26087
55	338
65	0
75	0
85	0

ZONAL LUMENS AND PERCENTAGES			
ZONE	LUMENS	% LAMP	%LUMINAIRE
0-30	1197	35.22	55.34
0-40	1893	55.68	87.47
0-60	2164	63.65	100
0-90	2164	63.65	100
40-90	271	7.97	12.53
60-90	0	0	0
90-180	0	0	0
0-180	2164	63.65	100

**Coefficients of Utilization**

CEILING	80%				70%		50%		30%		0
	70	50	30	10	50	10	50	10	50	10	
WALL	Zonal Cavity Method - Effective Floor Cavity Reflectance = 20%										
RCR											
0	.76	.76	.76	.76	.74	.74	.71	.71	.68	.68	.64
1	.73	.71	.70	.68	.70	.67	.67	.65	.65	.63	.60
2	.70	.67	.64	.62	.66	.62	.63	.60	.62	.59	.57
3	.66	.62	.59	.57	.61	.56	.60	.56	.58	.55	.53
4	.63	.58	.55	.53	.58	.52	.56	.52	.55	.51	.49
5	.60	.55	.51	.48	.54	.48	.53	.48	.52	.47	.46
6	.57	.51	.47	.45	.51	.44	.50	.44	.49	.44	.43
7	.53	.48	.44	.41	.47	.41	.46	.41	.45	.40	.39
8	.50	.44	.40	.38	.44	.37	.43	.37	.42	.37	.36
9	.47	.41	.37	.34	.41	.34	.40	.34	.39	.34	.33
10	.44	.38	.34	.31	.38	.31	.37	.31	.37	.31	.30

LUMINAIRE INPUT WATTS = 44

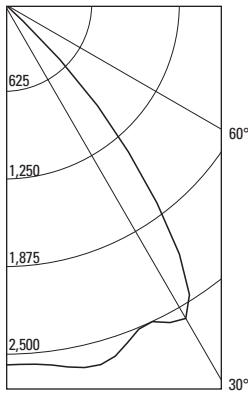
\*\* EFFICIENCY = 63.7% \*\*  
SC = 1.2

CERTIFIED TEST REPORT NO. 2327FR, DATE: OCT 25, 2003  
COMPUTED BY LSI PROGRAM \*\*TEST-LITE\*\*

1,125

### 70W T6 PHILIPS CMH LAMP, LUMEN RATING = 6600 LMS, AROMAT ELECTRONIC BALLAST, CL FINISH TRIM

**CANDLEPOWER DISTRIBUTION**



ANGLE	MEAN CP	LUMENS
0	2579	
5	2582	248
10	2633	
15	2667	747
20	2575	
25	2503	1177
30	2594	
35	2181	1309
40	1382	
45	564	495
50	45	
55	8	14
60	2	
65	0	1
70	0	0
75	0	0
80	0	0
85	0	0
90	0	0

**LUMINANCE SUMMARY CD. / SQ. M.**

ANGLE	MEAN CD/SQ.M
45	47753
55	792
65	11
75	0
85	0

ZONAL LUMENS AND PERCENTAGES			
ZONE	LUMENS	% LAMP	%LUMINAIRE
0-30	2172	32.91	54.43
0-40	3481	52.75	87.24
0-60	3990	60.46	99.98
0-90	3990	60.47	100
40-90	509	7.72	12.76
60-90	0	0.01	0.02
90-180	0	0	0
0-180	3990	60.47	100

**Coefficients of Utilization**

CEILING	80%				70%		50%		30%		0
	70	50	30	10	50	10	50	10	50	10	
WALL	Zonal Cavity Method - Effective Floor Cavity Reflectance = 20%										
RCR											
0	.72	.72	.72	.72	.71	.71	.67	.67	.65	.65	.61
1	.69	.67	.66	.65	.66	.64	.64	.62	.61	.60	.57
2	.66	.63	.61	.59	.62	.58	.60	.57	.58	.56	.54
3	.63	.59	.56	.54	.58	.53	.57	.53	.55	.52	.50
4	.60	.55	.52	.50	.55	.49	.53	.49	.52	.48	.47
5	.56	.52	.48	.45	.51	.45	.50	.45	.49	.44	.43
6	.54	.48	.45	.42	.48	.42	.47	.42	.46	.41	.40
7	.50	.45	.41	.39	.44	.38	.44	.38	.43	.38	.37
8	.48	.42	.38	.35	.41	.35	.41	.35	.40	.35	.34
9	.45	.39	.35	.32	.38	.32	.38	.32	.37	.32	.31
10	.42	.36	.32	.29	.35	.29	.35	.29	.34	.29	.28

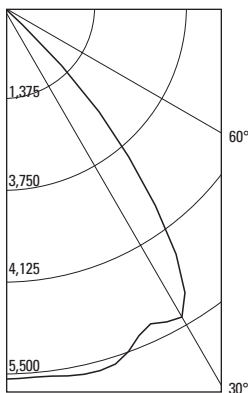
LUMINAIRE INPUT WATTS = 78

\*\* EFFICIENCY = 60.5% \*\*  
SC = 1.2

CERTIFIED TEST REPORT NO. 2323FR, DATE: OCT 04, 2003  
COMPUTED BY LSI PROGRAM \*\*TEST-LITE\*\*

### 150W T6 PHILIPS CMH LAMP, LUMEN RATING = 14000 LMS, AROMAT ELECTRONIC BALLAST , CL FINISH TRIM

**CANDLEPOWER DISTRIBUTION**



ANGLE	MEAN CP	LUMENS
0	5583	
5	5573	533
10	5619	
15	5646	1588
20	5503	
25	5245	2472
30	5370	
35	4530	2727
40	2936	
45	1247	1071
50	102	
55	17	32
60	7	
65	1	2
70	0	0
75	0	0
80	0	0
85	0	0
90	0	0

**LUMINANCE SUMMARY CD. / SQ. M.**

ANGLE	MEAN CD/SQ.M
45	105687
55	1783
65	209
75	0
85	0

ZONAL LUMENS AND PERCENTAGES			
ZONE	LUMENS	% LAMP	%LUMINAIRE
0-30	4593	32.81	54.51
0-40	7321	52.29	86.88
0-60	8424	60.17	99.97
0-90	8426	60.19	100
40-90	1105	7.9	13.12
60-90	2	0.02	0.03
90-180	0	0	0
0-180	8426	60.19	100

**Coefficients of Utilization**

CEILING	80%				70%		50%		30%		0
	70	50	30	10	50	10	50	10	50	10	
WALL	Zonal Cavity Method - Effective Floor Cavity Reflectance = 20%										
RCR											
0	.72	.72	.72	.72	.70	.70	.67	.67	.64	.64	.60
1	.69	.67	.66	.64	.66	.63	.63	.61	.61	.59	.57
2	.65	.63	.61	.58	.62	.58	.60	.57	.58	.55	.53
3	.62	.58	.56	.53	.58	.53	.56	.52	.55	.51	.50
4	.59	.55	.52	.49	.54	.49	.53	.48	.52	.48	.46
5	.56	.51	.48	.45	.51	.45	.50	.45	.49	.44	.43
6	.53	.48	.44	.42	.47	.42	.47	.41	.46	.41	.40
7	.50	.45	.41	.38	.44	.38	.43	.38	.43	.38	.37
8	.47	.41	.38	.35	.41	.35	.40	.35	.40	.35	.34
9	.44	.38	.35	.32	.38	.32	.37	.32	.37	.32	.31
10	.42	.35	.32	.29	.35	.29	.35	.29	.34	.29	.28

LUMINAIRE INPUT WATTS = 167

\*\* EFFICIENCY = 60.2% \*  
SC = 1.25

CERTIFIED TEST REPORT NO. 2330FR, DATE: OCT 07, 2003  
COMPUTED BY LSI PROGRAM \*\*TEST-LITE\*\*

**Job Information** **Type:**

631 Airport Road, Fall River, MA 02720 • (508) 679-8131 • Fax (508) 674-4710  
We reserve the right to change details of design, materials and finish.  
www.lightolier.com © 2012 Philips Group • C0112