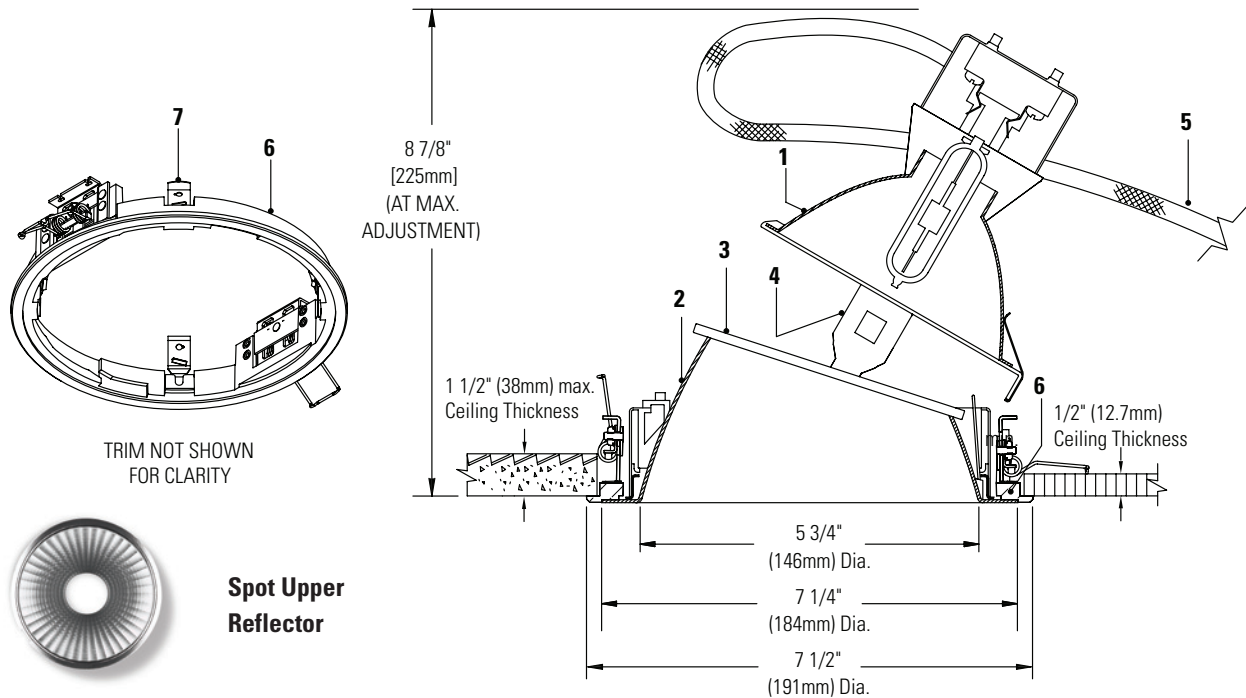


LIGHTOLIER® HID Adjustable C6T6AEXP-MHT6RS

Page 1 of 2

6" Aperture, T6 G12 Metal Halide, 12° Spot, For Export



Ceiling Cutout: 6 9/16" (129 mm) Dia.

For Complete Fixture Order: Reflector Trim + Upper Reflector + Installation Ring + Gear Harness

Ordering Information

Reflector Trim	Upper Reflector	Installation Ring	Gear Harness	Lamp Data
C6T6ACCDPEXP Comfort Clear Diffuse, Polished Flange	MHT6RS	C6XRM	BKT6U39 BKT6U70 BKT6U15	CDM-T G12 150W Max

Features

- Upper Reflector:** Specular faceted aluminum; provides 12° beam. Interchangeable with 25° Narrow Flood (MHT6RNF) and 40° Flood (MHT6RF); see spec sheets C6T6AEXP-MHT6RNF and C6T6AEXP-MHT6RF. ORDER SEPARATELY.
- Reflector Trim:** Low brightness aperture cone; anodized aluminum, self-flanged in aperture-matching polished flange.
- Lamp Shield:** High-temperature glass as required by code; captive during re-lamping.
- Trim Adjustment Mechanism:** Provides 40° vertical tilt, 360° horizontal rotation; lockable. EZ-Aim Helical Drive System provides fast and accurate hot aiming with Philips screwdriver.
- Gear Harness:** Electronic 240V, 50/60Hz metal halide ballast with lamp socket and wiring harness. ORDER SEPARATELY. See separate specification sheet for details.
- Installation Ring:** Cast aluminum ring is painted and has two 17ga. stainless steel springs that engage in upright position during installation. One touch snap action secures ring in ceiling cutout. ORDER SEPARATELY. See separate specification sheet for details.
- Trim Retention Springs:** Rust resistant springs secure reflector/housing for quick, toolless installation (quantity of 4).

Certifications and Ratings



Job Information

Type:

Job Name:

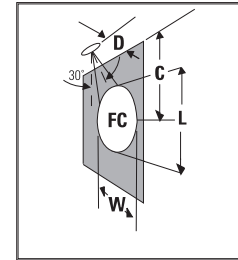
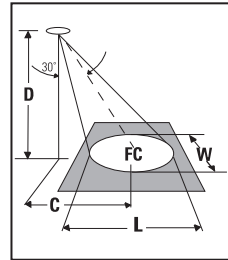
Cat. No.:

Lamp(s):

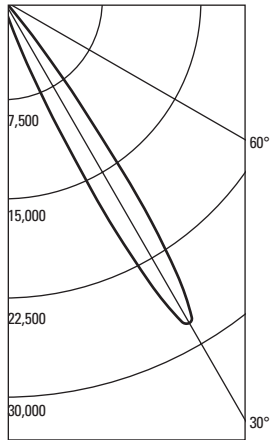
Notes:

631 Airport Road, Fall River, MA 02720 • (508) 679-8131 • Fax (508) 674-4710
We reserve the right to change details of design, materials and finish.
www.lightolier.com © 2011 Philips Group • B0711

(FC) is initial footcandles at center of beam. Beam length (L) and beam width (W) are to where the candlepower is reduced to 50% of the center beam candlepower. (C) is the distance to the center of the beam.



CANDLEPOWER DISTRIBUTION



ANGLE WALL **39W T6 - SPOT REFLECTOR**

0	818
5	750
10	690
15	1259
20	4462
25	15824
30	28178
35	15763
40	2815
45	449
50	113
55	25
60	7
65	7
70	0
75	0
80	0
85	0
90	0

AIMED 30 deg. TOWARD WALL

LAMP: 39W T6 MH, PHILIPS
 LUMEN RATING: 3400 LMS.
 CBCP: 28178
 Beam Angle: 11
 AROMAT 39W ELECTRONIC BALLAST
 DATE: APR 17, 2004
 CERTIFIED TEST REPORT NO. 2603FR

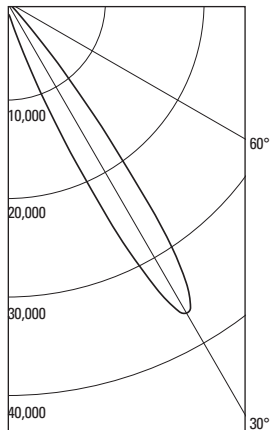
COMPUTED BY LSI PROGRAM
 TEST-LITE

**30° Aiming Angle
Horizontal Surface**

D	C	FC	L	W
6'	3.5'	508	1.5'	1.3'
8'	4.6'	286	2.1'	1.8'
10'	5.8'	183	2.6'	2.2'
12'	6.9'	127	3.1'	2.7'
15'	8.7'	81	3.9'	3.3'

**30° Aiming Angle
Vertical Surface**

D	C	FC	L	W
2'	3.5'	881	1.6'	0.8'
3'	5.2'	391	2.4'	1.2'
4'	6.9'	220	3.2'	1.5'
6'	10.4'	98	4.8'	2.3'
8'	13.9'	55	6.3'	3.1'



ANGLE WALL **70W T6 - SPOT REFLECTOR**

0	1572
5	1428
10	1372
15	2778
20	8866
25	24261
30	36503
35	25125
40	7106
45	1406
50	299
55	22
60	0
65	0
70	0
75	0
80	0
85	0
90	0

AIMED 30 deg. TOWARD WALL

LAMP: 70W T6 MH, PHILIPS
 LUMEN RATING: 6600 LMS.
 CBCP: 36503
 Beam Angle: 14
 AROMAT 70W ELECTRONIC BALLAST
 DATE: APR 16, 2004
 CERTIFIED TEST REPORT NO. 2602FR

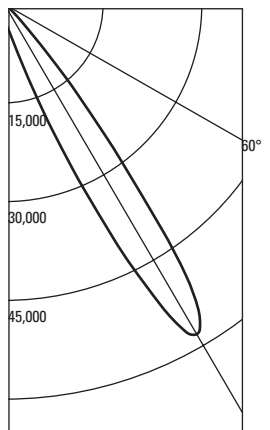
COMPUTED BY LSI PROGRAM
 TEST-LITE

**30° Aiming Angle
Horizontal Surface**

D	C	FC	L	W
8'	4.6'	370	2.6'	2.3'
10'	5.8'	237	3.3'	2.8'
12'	6.9'	165	3.9'	3.4'
15'	8.7'	105	4.9'	4.3'
20'	11.5'	59	6.6'	5.7'

**30° Aiming Angle
Vertical Surface**

D	C	FC	L	W
3'	5.2'	507	3.1'	1.5'
4'	6.9'	285	4.1'	2.0'
6'	10.4'	127	6.2'	2.9'
8'	13.9'	71	8.2'	3.9'
12'	20.8'	32	12.3'	5.9'



ANGLE WALL **150W T6 - SPOT REFLECTOR**

0	3075
5	3190
10	4131
15	7281
20	17435
25	39398
30	57972
35	41597
40	14245
45	3556
50	1060
55	198
60	20
65	20
70	0
75	0
80	0
85	0
90	0

AIMED 30 deg. TOWARD WALL

LAMP: 150W T6 MH, PHILIPS
 LUMEN RATING: 14000 LMS.
 CBCP: 57972
 Beam Angle: 15
 AROMAT 150W ELECTRONIC BALLAST
 DATE: APR 18, 2004
 CERTIFIED TEST REPORT NO. 2604FR

COMPUTED BY LSI PROGRAM
 TEST-LITE

**30° Aiming Angle
Horizontal Surface**

D	C	FC	L	W
8'	4.6'	588	2.8'	2.4'
10'	5.8'	377	3.5'	3.0'
12'	6.9'	261	4.2'	3.6'
15'	8.7'	167	5.3'	4.6'
20'	11.5'	94	7.1'	6.1'

**30° Aiming Angle
Vertical Surface**

D	C	FC	L	W
3'	5.2'	805	3.3'	1.6'
4'	6.9'	453	4.4'	2.1'
6'	10.4'	201	6.7'	3.2'
8'	13.9'	113	8.9'	4.2'
12'	20.8'	50	13.3'	6.3'

Job Information **Type:**

631 Airport Road, Fall River, MA 02720 • (508) 679-8131 • Fax (508) 674-4710
 We reserve the right to change details of design, materials and finish.
 www.lightolier.com © 2011 Philips Group • B0711