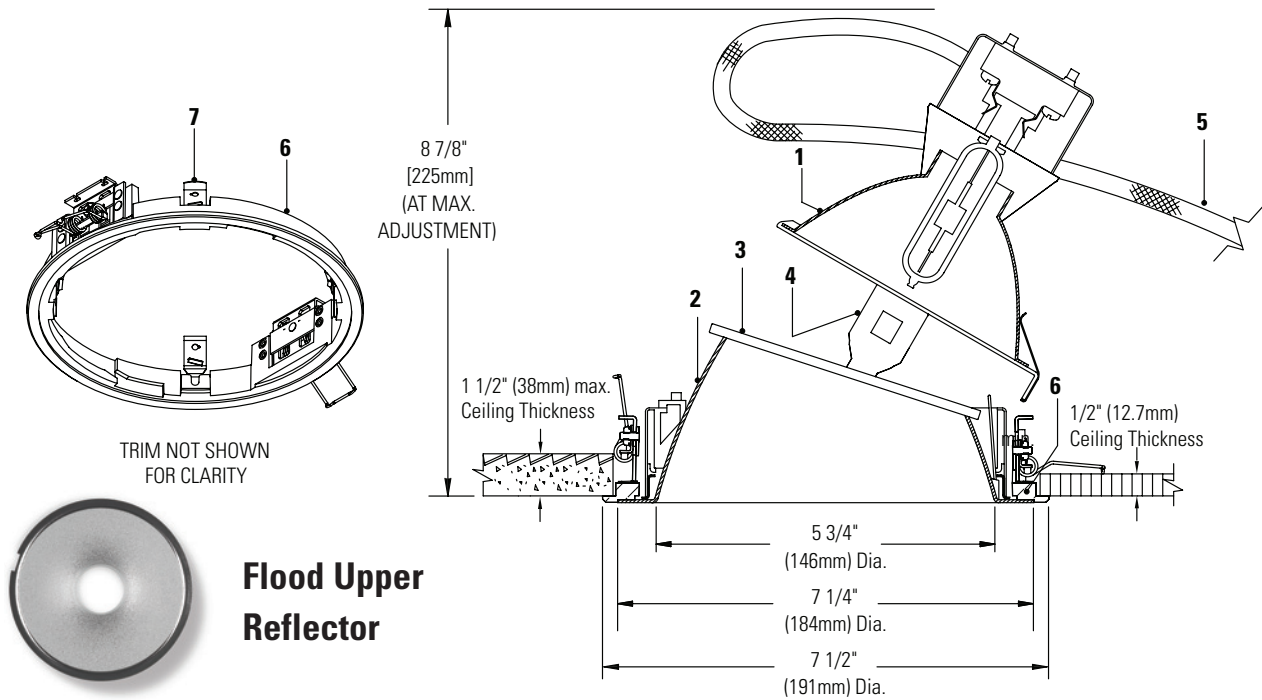


# LIGHTOLIER® HID Adjustable C6T6AEXP-MHT6RF

Page 1 of 2

6" Aperture, T6 G12 Metal Halide, 40° Flood, For Export



Ceiling Cutout: 5 3/16" (129 mm) Dia.

For Complete Fixture Order: Reflector Trim + Upper Reflector + Installation Ring + Gear Harness

### Ordering Information

Reflector Trim	Upper Reflector	Installation Ring	Gear Harness	Lamp Data
C6T6ACCDPEXP Comfort Clear Diffuse, Polished Flange	MHT6RF	C6XRM	BKT6U39 BKT6U70 BKT6U15	CDM-T G12 150W Max

### Features

- Upper Reflector:** Specular faceted aluminum; provides 40° beam. Interchangeable with 12° Spot (MHT6RS) and 25° Narrow Flood (MHT6RNF); see spec sheets C6T6AEXP-MHT6RS and C6T6AEXP-MHT6RNF. ORDER SEPARATELY.
- Reflector Trim:** Low brightness aperture cone; anodized aluminum, self-flanged in aperture-matching polished flange.
- Lamp Shield:** High-temperature glass as required by code; captive during re-lamping.
- Trim Adjustment Mechanism:** Provides 40° vertical tilt, 360° horizontal rotation; lockable. EZ-Aim Helical Drive System provides fast and accurate hot aiming with Philips screwdriver.
- Gear Harness:** Electronic 240V, 50/60Hz metal halide ballast with lamp socket and wiring harness. ORDER SEPARATELY. See separate specification sheet for details.
- Installation Ring:** Cast aluminum ring is painted and has two 17ga. stainless steel springs that engage in upright position during installation. One touch snap action secures ring in ceiling cutout. ORDER SEPARATELY. See separate specification sheet for details.
- Trim Retention Springs:** Rust resistant springs secure reflector/housing for quick, toolless installation (quantity of 4).

### Certifications and Ratings



### Job Information

### Type:

Job Name:

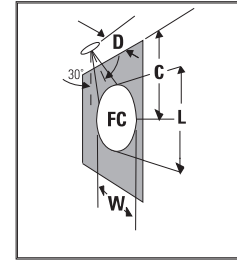
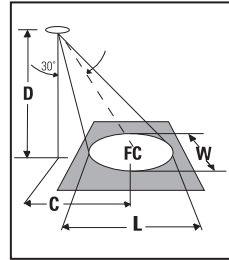
Cat. No.:

Lamp(s):

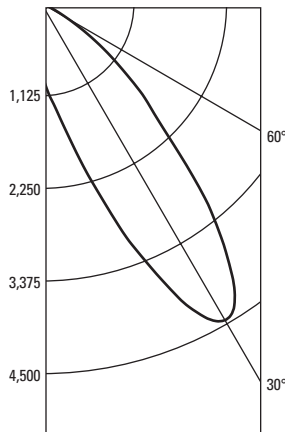
Notes:

631 Airport Road, Fall River, MA 02720 • (508) 679-8131 • Fax (508) 674-4710  
 We reserve the right to change details of design, materials and finish.  
 www.lightolier.com © 2011 Philips Group • B0711

(FC) is initial footcandles at center of beam. Beam length (L) and beam width (W) are to where the candlepower is reduced to 50% of the center beam candlepower. (C) is the distance to the center of the beam.



CANDLEPOWER DISTRIBUTION



ANGLE	WALL
0	828
5	1125
10	1484
15	2129
20	3032
25	3951
30	4448
35	4042
40	3092
45	2004
50	1365
55	804
60	357
65	109
70	12
75	0
80	0
85	0
90	0

**39W T6 - FLOOD UPPER REFLECTOR**

AIMED 30 deg. TOWARD WALL

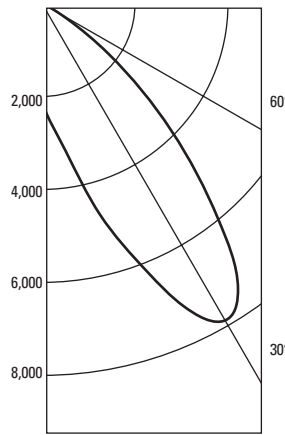
LAMP: 39W T6 MH, PHILIPS  
LUMEN RATING: 3400 LMS.  
CBCP: 4448  
Beam Angle: 28  
AROMAT 39W ELECTRONIC BALLAST

DATE: MAR 9, 2004  
CERTIFIED TEST REPORT NO. 2528FR

COMPUTED BY LSI PROGRAM  
\*\*TEST-LITE\*\*

30° Aiming Angle Horizontal Surface				
D	C	FC	L	W
6'	3.5'	80	4.1'	3.5'
8'	4.6'	45	5.4'	4.6'
10'	5.8'	29	6.8'	5.8'
12'	6.9'	20	8.1'	6.9'
15'	8.7'	13	10.2'	8.6'

30° Aiming Angle Vertical Surface				
D	C	FC	L	W
2'	3.5'	139	4.9'	2.0'
3'	5.2'	62	7.4'	3.0'
4'	6.9'	35	9.8'	4.0'
6'	10.4'	15	14.7'	6.0'
8'	13.9'	9	19.6'	8.0'



ANGLE	WALL
0	2129
5	2598
10	3416
15	4621
20	5826
25	7165
30	7886
35	7331
40	5692
45	4040
50	2544
55	1262
60	460
65	113
70	12
75	2
80	0
85	0
90	0

**70W T6 - FLOOD UPPER REFLECTOR**

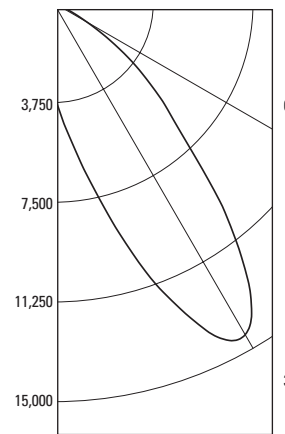
AIMED 30 deg. TOWARD WALL

LAMP: 70W T6 MH, PHILIPS  
LUMEN RATING: 6600 LMS.  
CBCP: 7886  
Beam Angle: 33  
AROMAT 70W ELECTRONIC BALLAST  
DATE: MAR 13, 2004

CERTIFIED TEST REPORT NO. 2527FR  
COMPUTED BY LSI PROGRAM  
\*\*TEST-LITE\*\*

30° Aiming Angle Horizontal Surface				
D	C	FC	L	W
8'	4.6'	80	6.5'	5.5'
10'	5.8'	51	8.1'	6.8'
12'	6.9'	36	9.8'	8.2'
15'	8.7'	23	12.2'	10.3'
20'	11.5'	13	16.3'	13.7'

30° Aiming Angle Vertical Surface				
D	C	FC	L	W
3'	5.2'	110	9.6'	3.6'
4'	6.9'	62	12.9'	4.7'
6'	10.4'	27	19.3'	7.1'
8'	13.9'	15	25.7'	9.5'
12'	20.8'	7	38.6'	14.2'



ANGLE	WALL
0	3264
5	4588
10	6230
15	8522
20	11273
25	13598
30	14410
35	12748
40	9706
45	6584
50	4740
55	3021
60	1451
65	443
70	71
75	15
80	15
85	15
90	15

**150W T6 - FLOOD UPPER REFLECTOR**

LAMP: 150W T6 MH, PHILIPS

LUMEN RATING: 14000 LMS.  
CBCP: 14410  
Beam Angle: 32  
AROMAT 150W ELECTRONIC BALLAST

DATE: MAR 11, 2004  
CERTIFIED TEST REPORT NO. 2533FR  
COMPUTED BY LSI PROGRAM  
\*\*TEST-LITE\*\*

30° Aiming Angle Horizontal Surface				
D	C	FC	L	W
8'	4.6'	146	6.3'	5.3'
10'	5.8'	94	7.9'	6.6'
12'	6.9'	65	9.4'	7.9'
15'	8.7'	42	11.8'	9.9'
20'	11.5'	23	15.7'	13.2'

30° Aiming Angle Vertical Surface				
D	C	FC	L	W
3'	5.2'	200	9.1'	3.4'
4'	6.9'	113	12.2'	4.6'
6'	10.4'	50	18.3'	6.9'
8'	13.9'	28	24.4'	9.2'
12'	20.8'	13	36.5'	13.8'

**Job Information** **Type:**

631 Airport Road, Fall River, MA 02720 • (508) 679-8131 • Fax (508) 674-4710  
We reserve the right to change details of design, materials and finish.  
www.lightolier.com © 2011 Philips Group • B0711