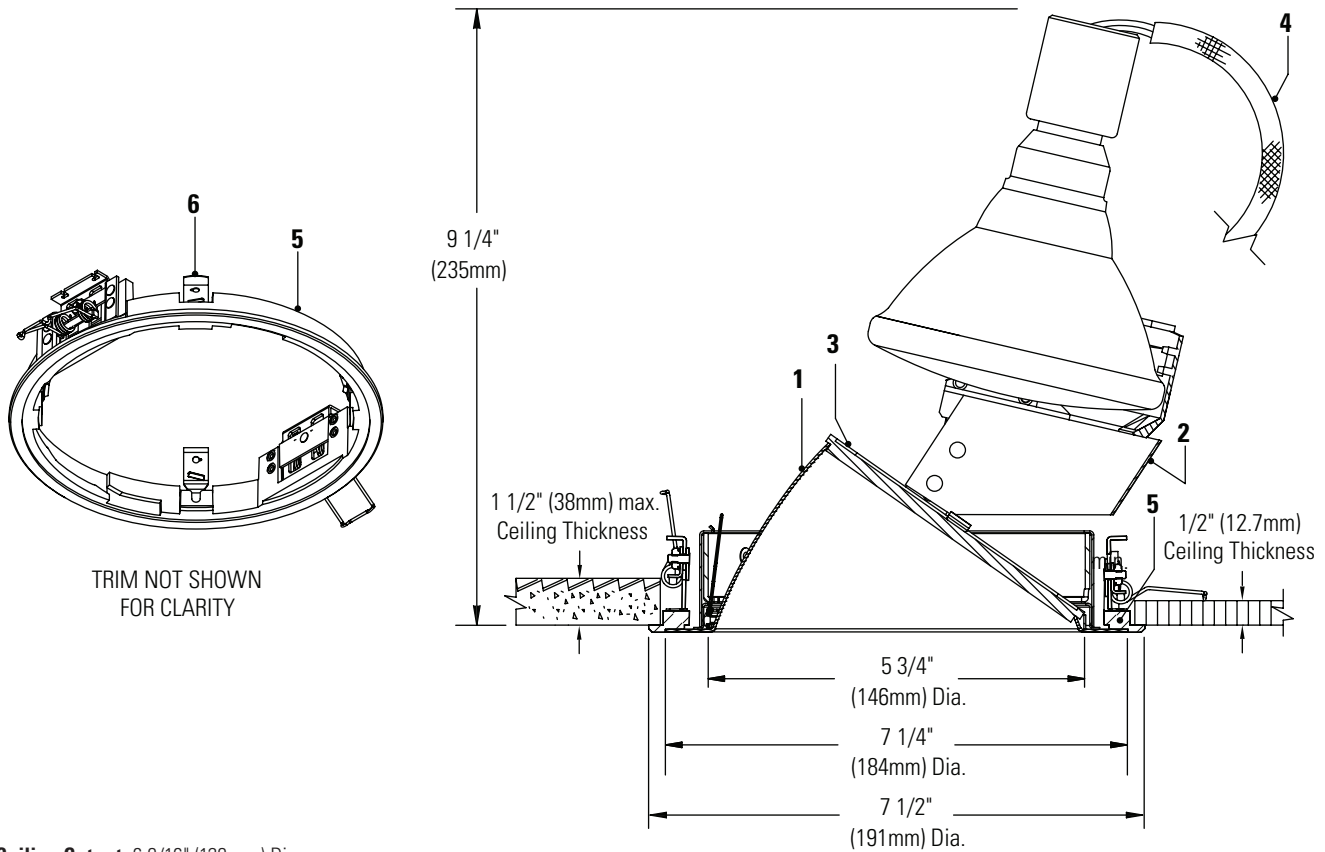


LIGHTOLIER® Calculite® HID Wall Washer C6P38MHLEXP



Ceiling Cutout: 6 9/16" (129 mm) Dia

Ordering Information

Reflector Trim	Installation Ring	Gear Harness	Lamp Data
C6P38MHLCCDPEXP Comfort Clear Diffuse, Polished Flange	C6XRMM Matte White	BKMHPU70	CDM-R PAR38 70W Max

Features

- 1. Reflector Trim:** Low brightness, specular anodized 16 ga. aluminum with integral flange polished to match inside of cone, 50° visual cutoff to lamp and lamp image.
- 2. Kick Reflector:** 16 ga. Alzak® aluminum specular kick reflector with directional spread lens distributes light smoothly for vertical surface wall washing.
- 3. Directional Spread Lens:** High temperature, tempered glass. Precisely contoured to fit onto cone; replaceable.
- 4. Gear Harness:** Electronic metal halide ballast with medium base E27 porcelain socket with nickel plated screw shell (pulse rated) and wiring harness. ORDER SEPARATELY. See separate specification sheet for details.
- 5. Installation Ring:** Cast aluminum ring is painted and has two 17ga. stainless steel springs that engage in upright position during installation. One touch snap action secures ring in ceiling cutout. ORDER SEPARATELY. See separate specification sheet for details.
- 6. Retention Springs:** Rust resistant springs secure trim for quick, tool-less installation (quantity of 4).

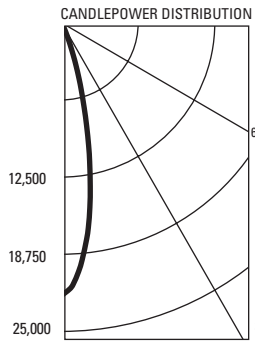
Certifications and Ratings



Job Information	Type:
Job Name:	
Cat. No.:	
Lamp(s):	
Notes:	

631 Airport Road, Fall River, MA 02720 • (508) 679-8131 • Fax (508) 674-4710
 We reserve the right to change details of design, materials and finish.
 www.lightolier.com © 2008 Philips Group • A0608

70W PAR38 FLOOD, PHILIPS 3K MH LAMP, LUMEN RATING = 4800 LMS, ELECTRONIC AROMAT BALLAST, CL FINISH TRIM



ANGLE	MEAN CP	LUMENS
0	22077	
5	19279	1769
10	13483	
15	7146	2166
20	2784	
25	721	513
30	205	
35	85	64
40	29	
45	1	6
50	0	
55	0	0
60	0	
65	0	0
70	0	
75	0	0
80	0	
85	0	0
90	0	

LUMINANCE SUMMARY - CD. / SQ. M.			
ANGLE	MEAN CD/SQ M		
45	59		
55	0		
65	0		
75	0		
85	0		

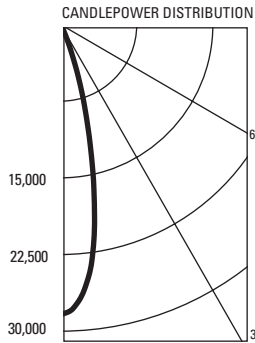
ZONAL LUMENS AND PERCENTAGES			
ZONE	LUMENS	% LAMP	%LUMINAIRE
0-30	4446	92.65	98.46
0-40	4510	93.97	99.86
0-60	4516	94.1	100
0-90	4516	94.1	100
40-90	6	0.13	0.14
60-90	0	0	0
90-180	0	0	0
0-180	4516	94.1	100

Coefficients of Utilization												
CEILING	80%				70%				50%		30%	
	70	50	30	10	50	10	50	10	50	10	0	
WALL	70	50	30	10	50	10	50	10	50	10	0	
RCR	Zonal Cavity Method - Effective Floor Cavity Reflectance = 20%											
0	1.12	1.12	1.12	1.12	1.09	1.09	1.05	1.05	1.00	1.00	.94	
1	1.09	1.07	1.06	1.05	1.06	1.03	1.02	1.00	.98	.97	.93	
2	1.06	1.04	1.02	1.00	1.02	.99	.99	.96	.97	.94	.91	
3	1.04	1.01	.98	.96	1.00	.98	.98	.94	.96	.93	.90	
4	1.02	.98	.96	.94	.98	.93	.96	.92	.94	.91	.89	
5	1.00	.96	.93	.91	.95	.91	.94	.90	.92	.89	.88	
6	.99	.94	.91	.89	.94	.89	.93	.89	.92	.88	.87	
7	.97	.92	.89	.87	.92	.87	.91	.87	.90	.86	.85	
8	.95	.91	.88	.86	.90	.85	.89	.85	.89	.85	.84	
9	.94	.89	.86	.84	.89	.84	.88	.84	.87	.84	.83	
10	.92	.87	.85	.83	.87	.83	.87	.83	.86	.82	.82	

** EFFICIENCY = 94.1% ** CERTIFIED TEST REPORT NO. 2419FR, DATE: JAN 26, 2004
 SC = .4 COMPUTED BY LSI PROGRAM **TEST-LITE**

LUMINAIRE INPUT WATTS = 78.0

100W PAR38 FLOOD, PHILIPS 3K MH LAMP, LUMEN RATING = 6800 LMS, ELECTRONIC AROMAT BALLAST, CL FINISH TRIM



ANGLE	MEAN CP	LUMENS
0	28361	
5	26181	2386
10	19254	
15	10393	3130
20	4124	
25	1090	763
30	291	
35	120	91
40	47	
45	5	11
50	0	
55	0	0
60	0	
65	0	0
70	0	
75	0	0
80	0	
85	0	0
90	0	

LUMINANCE SUMMARY - CD. / SQ. M.			
ANGLE	MEAN CD/SQ M		
45	231		
55	0		
65	0		
75	0		
85	0		

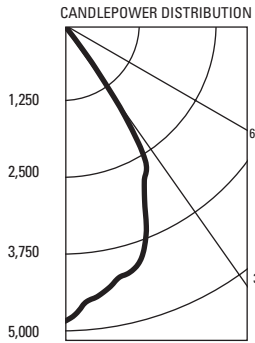
ZONAL LUMENS AND PERCENTAGES			
ZONE	LUMENS	% LAMP	%LUMINAIRE
0-30	6278	92.33	98.41
0-40	6369	93.67	99.83
0-60	6380	93.82	100
0-90	6380	93.82	100
40-90	10	0.16	0.17
60-90	0	0	0
90-180	0	0	0
0-180	6380	93.82	100

Coefficients of Utilization												
CEILING	80%				70%				50%		30%	
	70	50	30	10	50	10	50	10	50	10	0	
WALL	70	50	30	10	50	10	50	10	50	10	0	
RCR	Zonal Cavity Method - Effective Floor Cavity Reflectance = 20%											
0	1.12	1.12	1.12	1.12	1.09	1.09	1.04	1.04	1.00	1.00	.94	
1	1.09	1.07	1.06	1.04	1.05	1.03	1.01	1.00	.98	.97	.92	
2	1.06	1.03	1.01	.99	1.02	.98	.99	.96	.96	.94	.91	
3	1.04	1.00	.98	.96	.99	.95	.97	.94	.95	.92	.90	
4	1.02	.98	.95	.93	.97	.92	.95	.91	.94	.91	.89	
5	1.00	.96	.92	.90	.95	.90	.93	.89	.92	.89	.87	
6	.98	.94	.91	.89	.93	.89	.92	.88	.91	.87	.86	
7	.96	.92	.89	.87	.91	.86	.90	.86	.89	.86	.85	
8	.95	.90	.87	.85	.89	.85	.89	.85	.88	.84	.83	
9	.93	.88	.86	.84	.88	.84	.87	.83	.87	.83	.82	
10	.92	.87	.84	.82	.87	.82	.86	.82	.86	.82	.81	

** EFFICIENCY = 93.8% ** CERTIFIED TEST REPORT NO. 2421FR, DATE: JAN 21, 2004
 SC = .4 COMPUTED BY LSI PROGRAM **TEST-LITE**

LUMINAIRE INPUT WATTS = 110.0

70W PAR38 WIDE FLOOD, PHILIPS 3K MH LAMP, LUMEN RATING = 4800 LMS, ELECTRONIC AROMAT BALLAST, CL FINISH TRIM



ANGLE	MEAN CP	LUMENS
0	4860	
5	4540	437
10	4365	
15	4197	1180
20	3890	
25	3162	1498
30	2735	
35	1466	929
40	250	
45	42	65
50	0	
55	0	0
60	0	
65	0	0
70	0	
75	0	0
80	0	
85	0	0
90	0	

LUMINANCE SUMMARY - CD. / SQ. M.			
ANGLE	MEAN CD/SQ M		
45	2104		
55	0		
65	0		
75	0		
85	0		

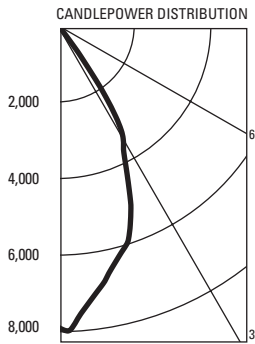
ZONAL LUMENS AND PERCENTAGES			
ZONE	LUMENS	% LAMP	%LUMINAIRE
0-30	3115	64.9	75.81
0-40	4044	84.26	98.42
0-60	4109	85.61	100
0-90	4109	85.61	100
40-90	64	1.35	1.58
60-90	0	0	0
90-180	0	0	0
0-180	4109	85.61	100

Coefficients of Utilization												
CEILING	80%				70%				50%		30%	
	70	50	30	10	50	10	50	10	50	10	0	
WALL	70	50	30	10	50	10	50	10	50	10	0	
RCR	Zonal Cavity Method - Effective Floor Cavity Reflectance = 20%											
0	1.02	1.02	1.02	1.02	1.00	1.00	.95	.95	.91	.91	.86	
1	.98	.96	.94	.93	.95	.91	.91	.89	.88	.86	.82	
2	.94	.91	.89	.86	.90	.85	.87	.83	.85	.82	.79	
3	.91	.87	.83	.81	.85	.80	.84	.79	.82	.78	.75	
4	.88	.83	.79	.76	.82	.76	.80	.75	.78	.74	.72	
5	.84	.79	.74	.72	.78	.71	.76	.71	.75	.70	.68	
6	.81	.75	.71	.68	.74	.68	.73	.67	.72	.67	.66	
7	.78	.71	.67	.64	.71	.64	.70	.64	.69	.63	.62	
8	.75	.68	.64	.61	.67	.61	.67	.61	.66	.60	.59	
9	.71	.65	.60	.58	.64	.58	.63	.57	.63	.57	.56	
10	.69	.62	.57	.54	.61	.54	.61	.54	.60	.54	.53	

** EFFICIENCY = 85.6% ** CERTIFIED TEST REPORT NO. 2420FR, DATE: JAN 26, 2004
 SC = .9 COMPUTED BY LSI PROGRAM **TEST-LITE**

LUMINAIRE INPUT WATTS = 78.0

100W PAR38, WIDE FLOOD PHILIPS 3K MH LAMP, LUMEN RATING = 6800 LMS, ELECTRONIC AROMAT BALLAST, CL FINISH TRIM



ANGLE	MEAN CP	LUMENS
0	7868	
5	7495	709
10	6849	
15	6228	1761
20	5546	
25	4296	2032
30	3425	
35	1738	1130
40	296	
45	69	84
50	2	
55	0	0
60	0	
65	0	0
70	0	
75	0	0
80	0	
85	0	0
90	0	

LUMINANCE SUMMARY - CD. / SQ. M.			
ANGLE	MEAN CD/SQ M		
45	3439		
55	0		
65	0		
75	0		
85	0		

ZONAL LUMENS AND PERCENTAGES			
ZONE	LUMENS	% LAMP	%LUMINAIRE
0-30	4502	66.21	78.74
0-40	5632	82.83	98.51
0-60	5717	84.08	100
0-90	5717	84.08	100
40-90	84	1.25	1.49
60-90	0	0	0
90-180	0	0	0
0-180	5717	84.08	100

Coefficients of Utilization												
CEILING	80%				70%				50%		30%	
	70	50	30	10	50	10	50	10	50	10	0	
WALL	70	50	30	10	50	10	50	10	50	10	0	
RCR	Zonal Cavity Method - Effective Floor Cavity Reflectance = 20%											
0	1.00	1.00	1.00	1.00	.98	.98	.93	.93	.89	.89	.84	
1	.97	.95	.93	.91	.93	.90	.89	.87	.86	.85	.81	
2	.93	.90	.87	.85	.88	.84	.86	.82	.83	.81	.78	
3	.90	.86	.82	.80	.84	.79	.83	.78	.81	.77	.75	
4	.87	.82	.78	.76	.81	.75	.79	.74	.78	.74	.72	
5	.83	.78	.74	.71	.77	.71	.76	.71	.75	.70	.68	
6	.81	.75	.71	.68	.74	.68	.73	.68	.72	.67	.66	
7	.77	.71	.68	.65	.71	.64	.70	.64	.69	.64	.63	
8	.75	.68	.64	.62	.68	.61	.67	.61	.66	.61	.60	
9	.71	.65	.61	.58	.65	.58	.64	.58	.63	.58	.57	
10	.69	.62	.58	.56	.62	.56	.61	.55	.61	.55	.54	

** EFFICIENCY = 84.1% ** CERTIFIED TEST REPORT NO. 2422FR, DATE: JAN 21, 2004
 SC = .8 COMPUTED BY LSI PROGRAM **TEST-LITE**

LUMINAIRE INPUT WATTS = 110.0

Job Information Type:

631 Airport Road, Fall River, MA 02720 • (508) 679-8131 • Fax (508) 674-4710
 We reserve the right to change details of design, materials and finish.
 www.lightolier.com © 2008 Philips Group • A0608