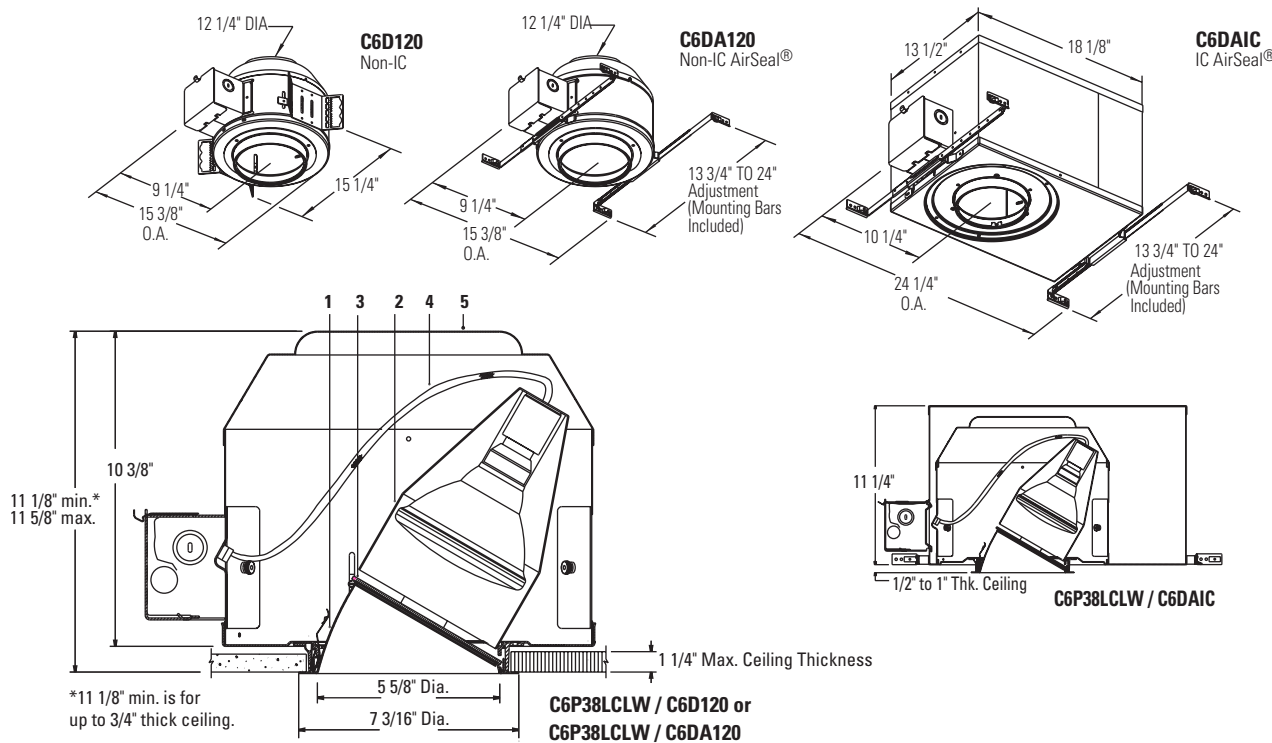


Calculite® Evolution Incandescent Lensed Wall Washer **C6P38L**



Ceiling Cutout: 6 11/16" Dia.

Reflector Trim		Frame-In Kit		
C6P38L CLW	Specular Clear, White Flange	Non-IC	Non-IC AirSeal®	IC-AirSeal®
C6P38L CLP	Specular Clear, Polished Flange	C6D120	C6DA120	C6DAIC
C6P38L <input type="checkbox"/>	Add suffix. See options for other finishes.	120W PAR38	120W PAR38	90W PAR38

Features

- Aperture Cone:** 16 ga. aluminum, 50° visual cutoff to lamp and lamp image. Keyed to lampholder/kick reflector assembly to prevent incorrect installation of cone. Available with painted white or polished flange. Interchangeable with other Evolution 6" line voltage trims.
- Kick Reflector:** 16 ga. Alzak® aluminum. Specular kick reflector with directional spread lens distributes light smoothly for vertical surface wall washing.
- Directional Spread Lens:** High temperature, tempered glass. Precisely contoured to fit onto cone; replaceable.
- Socket Harness:** Medium base porcelain socket with nickel plated screw shell, No. 18 SF-1 leads to keyed plug-in quick connector for power connection to junction box.
- Frame-In Kit:** Compatible frame-in kits are listed above. See separate frame-in kit specification sheets for details.
Non-IC and Non-IC AirSeal® - Insulation must be kept 3" away from fixture sides and wiring compartments and must not be placed above fixture in a manner which will entrap heat.
IC-AirSeal® - Fixture may be in direct contact with insulation.

Options & Accessories

Reflector Finishes¹

Clear:	CL	Specular Gold:	GD
Comfort Clear Diffuse:	CCD	Specular Black:	BK
Champagne Bronze:	CCZ	White:	WH

¹Specify desired flange

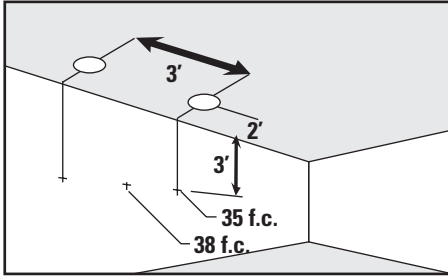
W White, **P** Polished

Labels

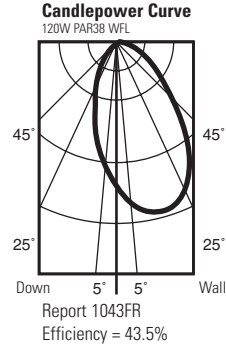
UL Listed (suitable for damp locations), I.B.E.W.

Job Information	Type:
Job Name:	
Cat. No.:	
Lamp(s):	
Notes:	

Lighting Data



EXAMPLE: With multiple 120W PAR38 WFL units located 2' from wall and 3' on center, the illumination on the wall 3' down from the ceiling is 29 f.c. beneath and 24 f.c. between fixtures.



Footcandles on Wall From Multiple Units - 120W PAR38 WFL

Units 2 Feet From Wall

		← 2' →			← 3' →		
Distance From Ceiling, Ft.	1'	39	39	39	32	19	32
	2'	56	53	56	42	31	42
	3'	49	49	49	35	38	35
	4'	35	35	35	24	23	24
	5'	24	25	24	17	17	17
	6'	17	18	17	12	12	12
	7'	13	13	13	9	9	9
	8'	9	10	9	7	7	7
	9'	7	7	7	5	6	5

Units 3 Feet From Wall

		← 3' →			← 4' →		
Distance From Ceiling, Ft.	1'	13	11	13	12	7	12
	2'	21	20	21	17	14	17
	3'	25	24	25	20	16	20
	4'	24	24	24	19	17	19
	5'	20	20	20	16	15	16
	6'	16	16	16	12	12	12
	7'	12	13	12	10	10	10
	8'	10	10	10	8	8	8
	9'	8	8	8	6	6	6

Conversion Factors:
 90W PAR38 WFL: F.C. x 0.70
 75W PAR38 WFL: F.C. x 0.55
 60W PAR38 WFL: F.C. x 0.45

Footcandles values are averaged and rounded off and are based on a minimum of five units. For fixture-to-wall distances, other than those shown, use maximum of 1 to 1 spacing (distance between fixtures not more than distance to wall) for best results.

Job Information	Type:
------------------------	--------------