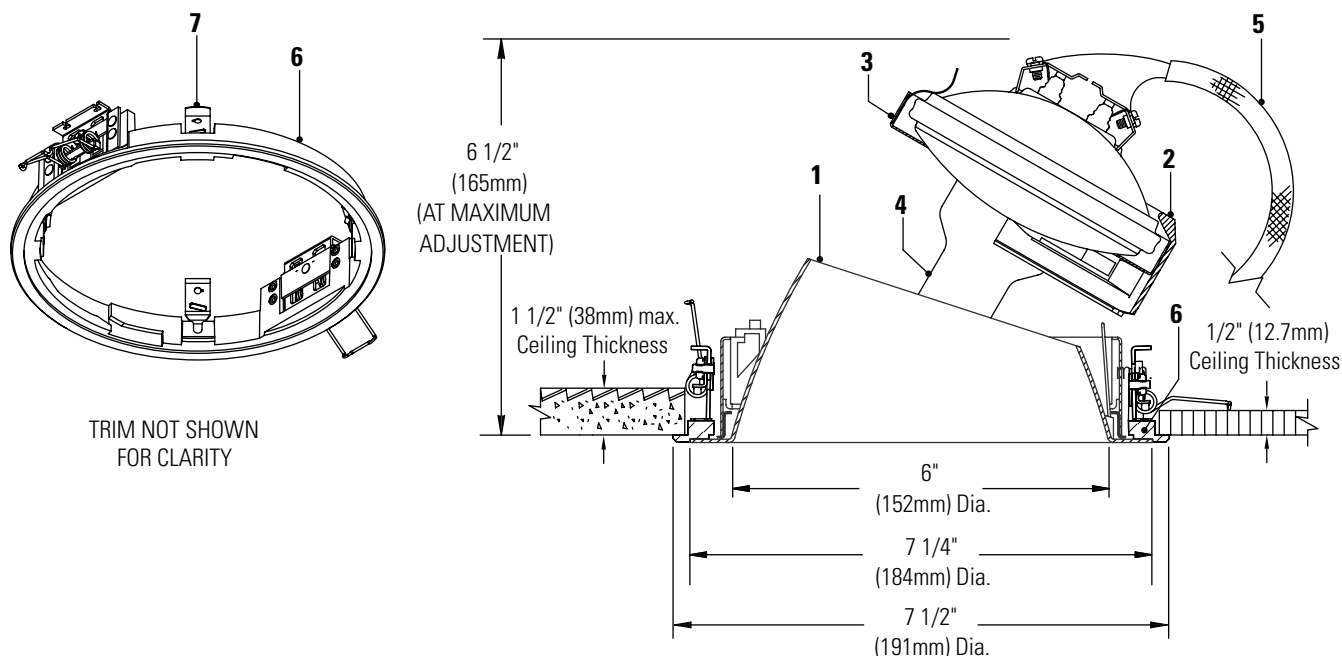


Calculite® Adjustable Accent **C6P36AEXP**



TRIM NOT SHOWN FOR CLARITY

Ceiling Cutout: 6 9/16" (129 mm) Dia.

Ordering Information

| Reflector Trim | Installation Ring | Transformer | Lamp Data |
|---|--------------------------|------------------|------------------------------------|
| C6P36ACCDPEXP Comfort Clear Diffuse, Polished Flange | C6XRM Matte White | TKEU75P36 | 75W PAR36 (12V) 75W AR111 (12V) |

Features

- 1. Reflector Trim:** Low brightness, specular anodized aluminum with integral flange polished to match inside of cone.
- 2. Lamp Holder Assembly:** Die-cast aluminum "U" shape lamp and accessory holder provided with tension springs for fast snap-in/snap-out slide mounting of lamp and various accessories. Accepts up to two combinations of 4 3/4" dia. accessories.
- 3. Lamp Ring:** Die-formed aluminum with tension springs to secure lamp. Slide out for relamping. Matte black finish.
- 4. Trim Adjustment Mechanism:** Provides 35° vertical tilt, 358°+ horizontal rotation; lockable. EZ-Aim Helical Drive System provides fast and accurate hot aiming with Philips screwdriver.
- 5. Socket Harness:** Provided with 18" (457mm) sleeved SF-1 leads with spade connectors. Transformer available separately, order TKEU75P36. See separate specification sheet for details.
- 6. Installation Ring:** Cast aluminum ring is painted and has two 17ga. stainless steel springs that engage in upright position during installation. One touch snap action secures ring in ceiling cutout. ORDER SEPARATELY. See separate specification sheet for details.
- 7. Retention Springs:** Rust resistant springs secure trim for quick, tool-less installation (quantity of 4).

Accessories

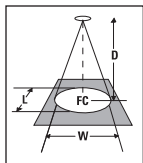
- 1 Primary Color Lens or 1 Secondary Color Lens or 1 Mixing Color Lens and 1 Specialty Filter

Certifications and Ratings

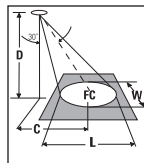


| Job Information | Type: |
|------------------|-------|
| Job Name: | |
| Cat. No.: | |
| Lamp(s): | |
| Notes: | |

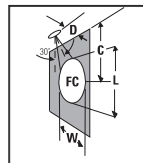
Calculite® Adjustable Accent C6P36AEXP



0° Aiming Angle



30° Aiming Angle



30° Aiming Angle

AR111 Low Voltage Halogen Lamps (Osram Sylvania)

| Lamps | Beam Spread (To 50% CBCP) | CBCP | Rated Life (Hrs.) | D | FC | L | W | D | C | FC | L | W | D | C | FC | L | W |
|---------------|---------------------------|-------|-------------------|---------|-------|-------|---|-----------|-----|-------|-------|---|-----------|-----|-------|------|---|
| 35W AR111 SSP | 4° x 4° | 30000 | 3000 | 10' 300 | 0.7' | 0.7' | | 8' 4.6' | 304 | 0.7' | 0.6' | | 4' 6.9' | 234 | 1.1' | 0.6' | |
| 50W AR111 NSP | 5° | 50000 | 2000 | 15' 133 | 1.0' | 1.0' | | 12' 6.9' | 135 | 1.1' | 1.0' | | 6' 10.4' | 104 | 1.7' | 0.8' | |
| 50W AR111 SP | 10° | 20000 | 2000 | 20' 75 | 1.4' | 1.4' | | 16' 9.2' | 76 | 1.5' | 1.3' | | 8' 13.9' | 59 | 2.2' | 1.1' | |
| 50W AR111 FL | 30° | 3000 | 2000 | 25' 48 | 1.7' | 1.7' | | 20' 11.5' | 49 | 1.9' | 1.6' | | 10' 17.3' | 38 | 2.8' | 1.4' | |
| 75W AR111 SP | 10° | 25000 | 2000 | 15' 222 | 1.3' | 1.3' | | 10' 5.8' | 325 | 1.2' | 1.0' | | 5' 8.7' | 250 | 1.8' | 0.9' | |
| 75W AR111 FL | 30° | 4500 | 2000 | 20' 125 | 1.7' | 1.7' | | 15' 8.7' | 144 | 1.7' | 1.5' | | 8' 13.9' | 98 | 2.6' | 1.4' | |
| 75W AR111 WFL | 60° | 1300 | 2000 | 25' 80 | 2.2' | 2.2' | | 20' 11.5' | 81 | 2.3' | 2.0' | | 11' 19.1' | 52 | 3.9' | 1.9' | |
| | | | | 30' 56 | 2.6' | 2.6' | | 25' 14.4' | 52 | 2.9' | 2.5' | | 14' 24.2' | 32 | 4.9' | 2.4' | |
| | | | | 6' 83 | 3.2' | 3.2' | | 5' 2.9' | 78 | 3.7' | 3.1' | | 2' 3.5' | 94 | 5.5' | 2.1' | |
| | | | | 8' 47 | 4.3' | 4.3' | | 7' 4.0' | 60 | 5.1' | 4.3' | | 3' 5.2' | 42 | 8.2' | 3.2' | |
| | | | | 10' 30 | 5.4' | 5.4' | | 9' 5.2' | 24 | 6.6' | 5.6' | | 4' 6.9' | 23 | 10.9' | 4.3' | |
| | | | | 12' 21 | 6.4' | 6.4' | | 11' 6.4' | 16 | 8.1' | 6.6' | | 5' 8.7' | 15 | 13.7' | 5.4' | |
| | | | | 10' 250 | 1.7' | 1.7' | | 8' 4.6' | 254 | 1.9' | 1.6' | | 4' 6.9' | 195 | 2.9' | 1.4' | |
| | | | | 15' 111 | 2.6' | 2.6' | | 12' 6.9' | 113 | 2.8' | 2.4' | | 6' 10.4' | 87 | 4.3' | 2.1' | |
| | | | | 20' 63 | 3.5' | 3.5' | | 16' 9.2' | 63 | 3.7' | 3.2' | | 8' 13.9' | 49 | 5.7' | 2.8' | |
| | | | | 25' 40 | 4.4' | 4.4' | | 20' 11.5' | 41 | 4.7' | 4.0' | | 10' 17.3' | 31 | 7.2' | 3.5' | |
| | | | | 6' 125 | 3.2' | 3.2' | | 5' 2.9' | 117 | 3.7' | 3.1' | | 2' 3.5' | 141 | 5.5' | 2.1' | |
| | | | | 8' 70 | 4.3' | 4.3' | | 7' 4.0' | 60 | 5.1' | 4.3' | | 3' 5.2' | 63 | 8.2' | 3.2' | |
| | | | | 10' 45 | 5.4' | 5.4' | | 9' 5.2' | 36 | 6.6' | 5.6' | | 4' 6.9' | 35 | 10.9' | 4.3' | |
| | | | | 12' 31 | 6.4' | 6.4' | | 11' 6.4' | 24 | 8.1' | 6.8' | | 5' 8.7' | 23 | 13.7' | 5.4' | |
| | | | | 3' 144 | 3.5' | 3.5' | | 3' 1.7' | 94 | 5.2' | 4.0' | | 1' 1.7' | 163 | * | 2.3' | |
| | | | | 5' 52 | 5.8' | 5.8' | | 5' 2.9' | 34 | 8.7' | 6.7' | | 2' 3.5' | 41 | * | 4.6' | |
| | | | | 7' 27 | 8.1' | 8.1' | | 7' 4.0' | 17 | 12.1' | 9.3' | | 3' 5.2' | 18 | * | 6.9' | |
| | | | | 9' 16 | 10.4' | 10.4' | | 9' 5.2' | 10 | 15.6' | 12.0' | | 4' 6.9' | 10 | * | 9.2' | |

PAR36 Halogen and Incandescent Low Voltage Lamps

| | | | | | | | | | | | | | | | | | |
|--------------------------|---------|-------|------|---------|------|------|--|-----------|-----|------|------|--|-----------|-----|-------|------|--|
| 25W PAR36 SP (5.5V) | 5° | 19700 | 1000 | 10' 197 | 0.9' | 0.9' | | 8' 4.6' | 200 | 0.9' | 0.8' | | 4' 6.9' | 154 | 1.4' | 0.7' | |
| 25W PAR36 VWFL | 55° | 160 | 2000 | 15' 88 | 1.3' | 1.3' | | 12' 6.9' | 89 | 1.4' | 1.2' | | 6' 10.4' | 58 | 2.1' | 1.0' | |
| 35W PAR36 VNSP | 5° | 25000 | 4000 | 20' 49 | 1.7' | 1.7' | | 16' 9.2' | 50 | 1.9' | 1.5' | | 8' 13.9' | 38 | 2.6' | 1.4' | |
| 35W PAR36 (HALOGEN) NSP | 8° | 20000 | 4000 | 25' 32 | 2.2' | 2.2' | | 20' 11.5' | 32 | 2.3' | 2.0' | | 10' 17.3' | 25 | 3.5' | 1.7' | |
| 35W PAR36 (HALOGEN) WFL | 30° | 900 | 4000 | 2' 40 | 2.1' | 2.1' | | 2' 1.2' | 26 | 3.1' | 2.4' | | 2' 2.0' | 14 | 5.7' | 2.9' | |
| 36W PAR36 (HALOGEN) NSP | 13° | 3500 | 4000 | 3' 18 | 3.1' | 3.1' | | 3' 1.7' | 12 | 4.6' | 3.6' | | 3' 3.0' | 6 | 8.6' | 4.4' | |
| 50W PAR36 (HALOGEN) VNSP | 5.5° | 50000 | 2000 | 4' 10 | 4.2' | 4.2' | | 4' 2.3' | 6 | 6.1' | 4.8' | | 4' 4.0' | 4 | 11.4' | 5.9' | |
| 50W PAR36 (HALOGEN) NSP | 8° | 30000 | 4000 | 5' 6 | 5.2' | 5.2' | | 5' 2.9' | 4 | 7.6' | 6.0' | | 5' 5.0' | 2 | 14.3' | 7.4' | |
| 50W PAR36 (HALOGEN) VNSP | 5.5° | 50000 | 2000 | 10' 250 | 0.9' | 0.9' | | 8' 4.6' | 254 | 0.9' | 0.8' | | 4' 6.9' | 195 | 1.4' | 0.7' | |
| 50W PAR36 (HALOGEN) NSP | 8° | 30000 | 4000 | 15' 111 | 1.3' | 1.3' | | 12' 6.9' | 113 | 1.4' | 1.2' | | 6' 10.4' | 87 | 2.1' | 1.0' | |
| 50W PAR36 (HALOGEN) VWFL | 55° | 240 | 2000 | 20' 63 | 1.7' | 1.7' | | 16' 9.2' | 63 | 1.9' | 1.6' | | 8' 13.8' | 49 | 2.8' | 1.4' | |
| 75W PAR36 VNSP | 4° X 7° | 31500 | 2000 | 25' 40 | 2.2' | 2.2' | | 20' 11.5' | 41 | 2.3' | 2.0' | | 10' 17.3' | 31 | 3.5' | 1.7' | |
| | | | | 10' 200 | 1.4' | 1.4' | | 8' 4.6' | 203 | 1.5' | 1.3' | | 4' 6.9' | 156 | 2.3' | 1.1' | |
| | | | | 15' 88 | 2.1' | 2.1' | | 12' 6.9' | 90 | 2.2' | 1.9' | | 6' 10.4' | 69 | 3.4' | 1.7' | |
| | | | | 20' 50 | 2.8' | 2.8' | | 16' 9.2' | 51 | 3.0' | 2.6' | | 8' 13.9' | 39 | 4.5' | 2.2' | |
| | | | | 25' 32 | 3.5' | 3.5' | | 20' 11.5' | 32 | 3.7' | 3.2' | | 10' 17.3' | 25 | 6.7' | 2.8' | |
| | | | | 3' 100 | 1.6' | 1.6' | | 3' 1.7' | 65 | 2.2' | 1.9' | | 1' 1.7' | 113 | 2.7' | 1.1' | |
| | | | | 5' 36 | 2.7' | 2.7' | | 5' 2.9' | 23 | 3.7' | 3.1' | | 2' 3.5' | 28 | 5.5' | 2.1' | |
| | | | | 7' 18 | 3.8' | 3.8' | | 7' 4.0' | 12 | 5.1' | 4.3' | | 3' 5.2' | 13 | 8.2' | 3.2' | |
| | | | | 9' 11 | 4.8' | 4.8' | | 9' 5.2' | 7 | 6.6' | 5.6' | | 4' 6.9' | 7 | 10.9' | 4.3' | |
| | | | | 6' 97 | 1.4' | 1.4' | | 5' 2.9' | 91 | 1.5' | 1.3' | | 2' 3.5' | 109 | 1.9' | 0.9' | |
| | | | | 8' 55 | 1.8' | 1.8' | | 7' 4.0' | 46 | 2.1' | 1.8' | | 3' 5.2' | 49 | 2.8' | 1.4' | |
| | | | | 10' 35 | 2.3' | 2.3' | | 9' 5.2' | 28 | 2.7' | 2.4' | | 4' 6.9' | 27 | 3.8' | 1.8' | |
| | | | | 12' 24 | 2.7' | 2.7' | | 11' 6.4' | 19 | 3.4' | 2.9' | | 5' 8.7' | 18 | 4.7' | 2.3' | |
| | | | | 15' 222 | 1.4' | 1.4' | | 10' 5.8' | 325 | 1.3' | 1.1' | | 5' 8.7' | 250 | 1.9' | 1.0' | |
| | | | | 20' 125 | 1.9' | 1.9' | | 15' 8.7' | 144 | 1.9' | 1.7' | | 8' 13.9' | 98 | 3.1' | 1.5' | |
| | | | | 25' 80 | 2.4' | 2.4' | | 20' 11.5' | 81 | 2.6' | 2.2' | | 11' 19.1' | 52 | 4.3' | 2.1' | |
| | | | | 30' 56 | 2.9' | 2.9' | | 25' 14.4' | 52 | 3.2' | 2.8' | | 14' 24.2' | 32 | 5.4' | 2.7' | |
| | | | | 10' 300 | 1.4' | 1.4' | | 8' 4.6' | 304 | 1.5' | 1.3' | | 4' 6.9' | 234 | 2.3' | 1.1' | |
| | | | | 15' 133 | 2.1' | 2.1' | | 12' 6.9' | 135 | 2.2' | 1.9' | | 6' 10.4' | 104 | 3.4' | 1.7' | |
| | | | | 20' 75 | 2.8' | 2.8' | | 16' 9.2' | 76 | 3.0' | 2.6' | | 8' 13.9' | 59 | 4.5' | 2.2' | |
| | | | | 25' 48 | 3.5' | 3.5' | | 20' 11.5' | 46 | 3.7' | 3.2' | | 10' 17.3' | 38 | 6.7' | 2.8' | |
| | | | | 2' 60 | 2.1' | 2.1' | | 2' 1.2' | 39 | 3.1' | 2.4' | | 1' 1.7' | 30 | 22.3' | 2.1' | |
| | | | | 3' 27 | 3.1' | 3.1' | | 3' 1.7' | 17 | 4.6' | 3.6' | | 2' 3.5' | 8 | 44.5' | 4.2' | |
| | | | | 4' 15 | 4.2' | 4.2' | | 4' 2.3' | 10 | 6.1' | 4.8' | | 3' 5.2' | 3 | 66.8' | 6.2' | |
| | | | | 5' 10 | 5.2' | 5.2' | | 5' 2.9' | 6 | 7.6' | 6.0' | | 4' 6.9' | 2 | 89.1' | 8.3' | |
| | | | | 10' 315 | 0.7' | 1.3' | | 8' 4.6' | 320 | 0.7' | 1.1' | | 4' 6.9' | 246 | 1.1' | 1.0' | |
| | | | | 15' 140 | 1.0' | 2.0' | | 12' 6.9' | 142 | 1.1' | 1.7' | | 6' 10.4' | 109 | 1.7' | 1.5' | |
| | | | | 20' 79 | 1.4' | 2.6' | | 16' 9.2' | 80 | 1.5' | 2.3' | | 8' 13.9' | 62 | 2.2' | 2.0' | |
| | | | | 25' 50 | 1.7' | 3.3' | | 20' 11.5' | 51 | 1.9' | 2.8' | | 10' 17.3' | 39 | 2.8' | 2.4' | |

Accent Lighting Performance Data

(FC) is initial footcandles at center of beam.
Beam length (L) and beam width (W) are to where the candlepower is reduced to 50% of the center beam candlepower.

CBCP is center beam candlepower. (C) is distance to the center of the beam.

Lamp data shown is typical, and is based on bare lamp photometrics. Contact lamp manufacturers for availability and performance.

Job Information Type: