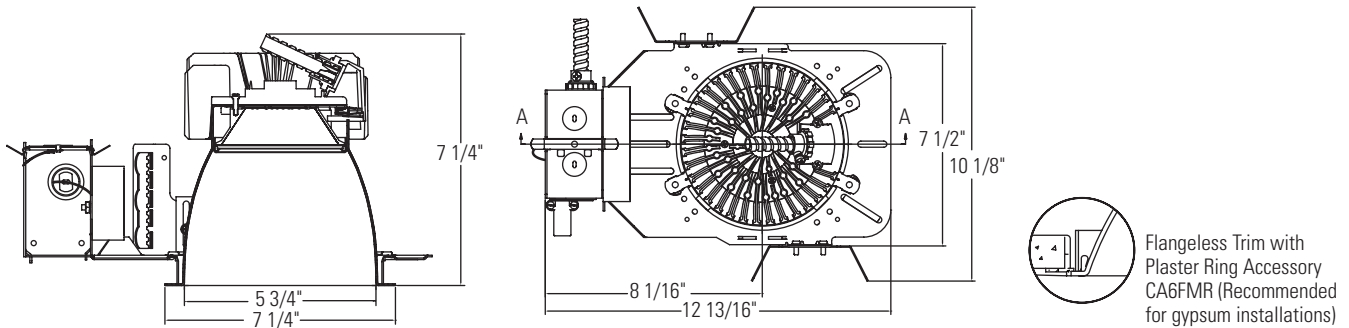


# C6L1520WW

## Calculite LED 6" Open Wall Washer

Page 1 of 3



### Ordering Guide: Light Engines

Light Engine Series	Style	Color Temperature	Reflector Finish	Flange	Options
<b>C6L1520</b>	<b>WW</b> (Open Wall Washer)	<b>27K</b> (2700K) <b>30K</b> (3000K) <b>35K</b> (3500K) <b>40K</b> (4000K)	<b>CL</b> (Clear) <b>CCL</b> (Comfort Clear) <b>CCD</b> (Comfort Clear Diffuse) <b>CCZ</b> (Champagne Bronze) <b>WH</b> (Painted White)	<b>W</b> (Painted white) <b>P</b> (Aperture-matching/polished) <b>FT</b> (Flush-mount/flangeless) <sup>1</sup>	<b>EM</b> (Integral emergency test switch)

Example: C6L1520DW35KCCLWEM | <sup>1</sup>Accessory CA6FMR recommended for gypsum applications. Reflector flange is 1/8".

### Ordering Guide: Frame-in Kits

Frame-in Kit Series	Installation Options	Input Voltage	Options
<b>C6L15</b> (1500 Lumen) <b>C6L20</b> (2000 Lumen)	<b>N</b> (New construction)	<b>1</b> (120V) <b>2</b> (277V)	<b>Blank</b> (0-10 volt dimming) <b>EM</b> (Emergency)

Example: C6L15N1EM

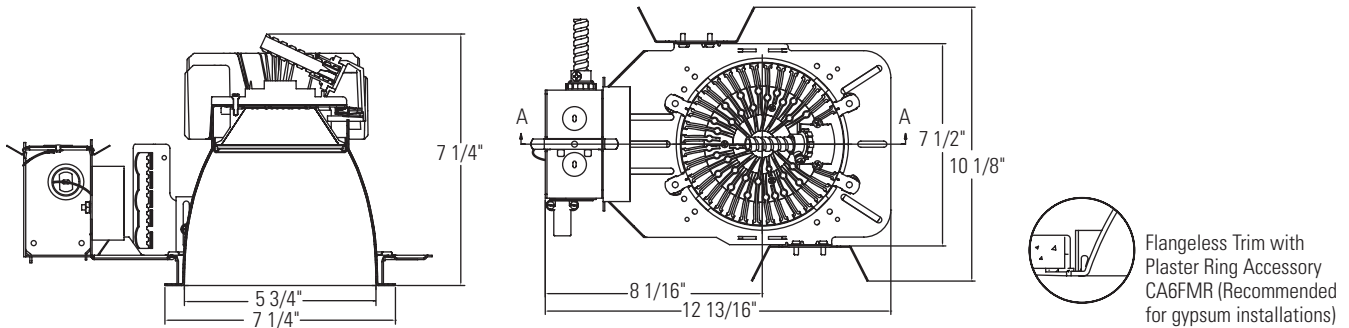
Job Information	Type:
Job Name:	
Cat. No.:	
Notes:	

**PHILIPS**  
**LIGHTOLIER**

# C6L1520WW

## Calculite LED 6" Open Wall Washer

Page 2 of 3



### Features

**Aperture:** 5 3/4" (146mm) I.D., 7 1/4" (184mm) O.D.

**Input Wattage:** 27W (1500 Lumens), 39W (2000 Lumens).

**Reflector Cone:** Aluminum. Provides 50° cutoff to source & source image. Self-flanged.

**Depth (including Frame-in kit):** 6 5/8" (168mm)

**Power Connection:** Attaches to frame-in kit via push-in connector (on frame). Removable cover provides access.

### Technology

**LED Board:** Array of high brightness royal blue LED's.

**Remote Phosphor Technology:** Remote phosphor technology provides increased efficiency and color consistency. Phosphor lens assembly positioned in front of LED array converts blue light to white. Color shift will not exceed +/- 100K over life.

**Optical Mixing Chamber:** Lightolier-specific mixing chamber redirects back-reflected light through aperture resulting in 20% increase in efficiency.

**Thermal Management:** Heat sink and thermal design along with clean room assembly ensures specified performance.

**Rated Life:** Based on IESNA LM-80-2008

1500 Lumen – 60,000 hours at 70% lumen maintenance.

2000 Lumen – 57,000 hours at 70% lumen maintenance.

**Photometric Performance:** Tested in accordance to IESNA LM-79-2008

### Options

**Dimming Capability:** 0-10V. See LED-DIM specification sheet

**Emergency Capability (Integral):** Add "EM" suffix. See LED-EM spec sheet.

**Emergency Capability (Inverter):** See LED-LMI specification sheet

### Labels

UL (suitable for wet locations), cUL, I.B.E.W.

5 Year Warranty

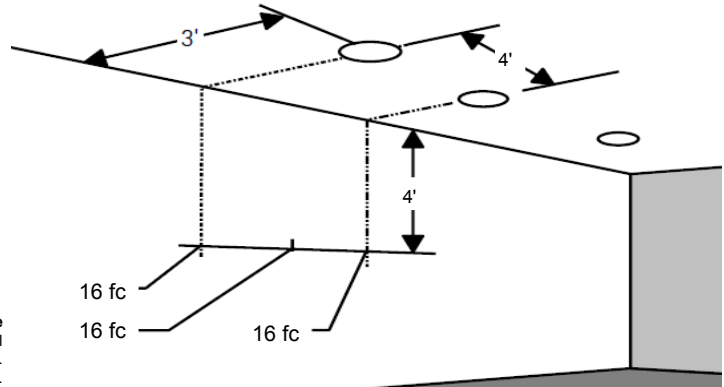
Job Information Type:

**PHILIPS**

**LIGHTOLIER**

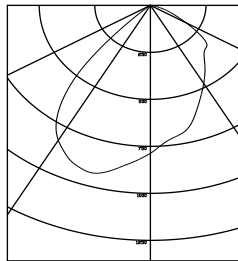
# C6L1520WW

## Calculite LED 6" Open Wall Washer



**Lighting Data - Example**  
C6L1520WW30KCLW/C6L15N1 illumination on the wall 4' down from the ceiling is 16 f.c. beneath and 16 f.c. between fixtures.

### 1500LM LED, 3000K, CL FINISH TRIM



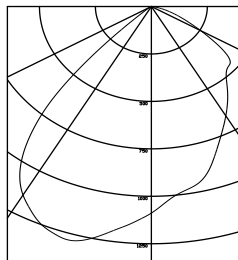
**Trim:**  
C6L1520WW30KCLW  
**Frame:**  
C6L15N1  
**Reflector Finish:**  
Specular Clear  
**Correlated Color Temp<sup>1</sup>:**  
3000K  
**Input Watts<sup>2</sup>:**  
26.6 w  
**CRI<sup>4</sup>:**  
78  
CERTIFIED TEST REPORT NO. F10027<sup>3</sup>

Distance from ceiling in feet	Multiple Units - Footcandles On Wall			
	2' from Wall	3' On Center	3'	On Center
1	30	18	30	
2	38	34	38	
3	28	30	28	
4	23	25	23	
5	19	19	19	
6	16	15	16	
7	13	13	13	
8	11	11	11	
9	10	10	10	
10	9	9	9	
12	7	7	7	
14	6	6	6	

Distance from ceiling in feet	Multiple Units - Footcandles On Wall			
	3' from Wall	3' On Center	3'	On Center
1	10	9	10	
2	25	23	25	
3	25	24	25	
4	21	22	21	
5	19	19	19	
6	17	17	17	
7	15	15	15	
8	13	13	13	
9	11	11	11	
10	10	10	10	
12	9	9	9	
14	8	8	8	

Distance from ceiling in feet	Multiple Units - Footcandles On Wall			
	3' from Wall	4' On Center	4'	On Center
1	8	6	8	
2	20	15	20	
3	19	18	19	
4	16	16	16	
5	13	15	13	
6	12	12	12	
7	11	10	11	
8	9	9	9	
9	8	8	8	
10	7	7	7	
12	6	6	6	
14	5	5	5	

### 2000LM LED, 3000K, CL FINISH TRIM



**Trim:**  
C6L1520WW30KCLW  
**Frame:**  
C6L20N1  
**Reflector Finish:**  
Specular Clear  
**Correlated Color Temp<sup>1</sup>:**  
3000K  
**Input Watts<sup>2</sup>:**  
39.8 w  
**CRI<sup>4</sup>:**  
78  
CERTIFIED TEST REPORT NO. F10028<sup>3</sup>

Distance from ceiling in feet	Multiple Units - Footcandles On Wall			
	2' from Wall	3' On Center	3'	On Center
1	41	25	41	
2	53	47	53	
3	39	42	39	
4	31	34	31	
5	26	26	26	
6	22	21	22	
7	18	18	18	
8	15	15	15	
9	13	13	13	
10	12	12	12	
12	10	10	10	
14	9	9	9	

Distance from ceiling in feet	Multiple Units - Footcandles On Wall			
	3' from Wall	3' On Center	3'	On Center
1	14	13	14	
2	35	32	35	
3	35	34	35	
4	29	30	29	
5	27	26	27	
6	23	23	23	
7	20	20	20	
8	18	18	18	
9	16	16	16	
10	14	14	14	
12	12	12	12	
14	10	10	10	

Distance from ceiling in feet	Multiple Units - Footcandles On Wall			
	3' from Wall	4' On Center	4'	On Center
1	11	8	11	
2	28	21	28	
3	26	25	26	
4	22	22	22	
5	18	20	18	
6	17	17	17	
7	15	14	15	
8	13	13	13	
9	11	11	11	
10	10	10	10	
12	8	8	8	
14	7	7	7	

<sup>1</sup> Correlated Color Temperature within specs as defined in ANSI\_NEMA\_ANSI C78.377-2008: Specifications for the Chromaticity of Solid-State Lighting Products.  
<sup>2</sup> Wattage controlled to within 5%.  
<sup>3</sup> Tested using absolute photometry as specified in LM79: IESNA Approved Method for the Electrical and Photometric Measurements of Solid-State Lighting Products.  
<sup>4</sup> Color Rendering Index within +/- 2%.



Philips Lightolier  
e: lol.webmaster@philips.com  
t: (508) 679-8131  
w: www.lightolier.com

C6L1520WW November 30, 2011

Specifications are subject to change without notice.  
© Koninklijke Philips Electronics N.V., 2011. All rights reserved.

**Job Information Type:**