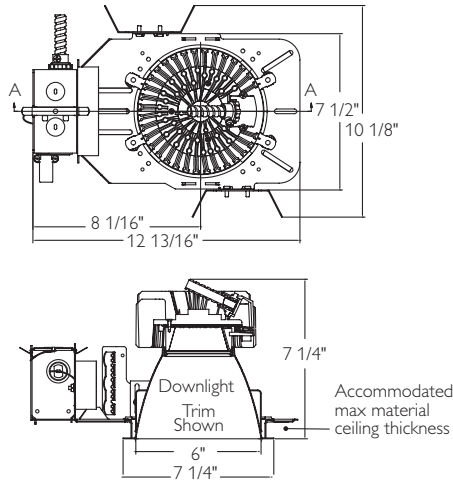


C6L15/CUL15

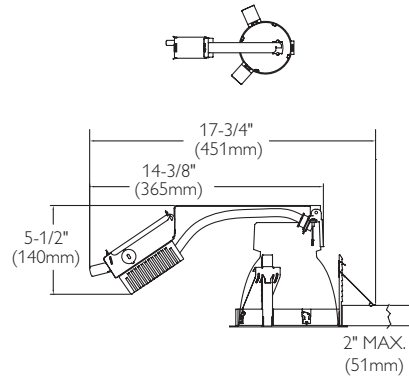
Calculite LED 6" Frame In Kit



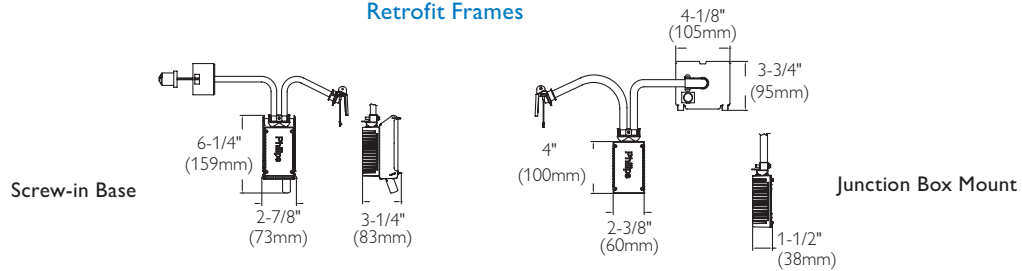
New Construction Frames



Remodeler Frames



Retrofit Frames



Ordering Guide: Frame-in Kits

Frame-in Kit Series	Installation Options	Input Voltage	Options
C6L15 (1500 Lumen)	N (New construction)	1 (120V)	EM (Emergency)
	R (Remodeler)	2 (277V)	
CUL15 (1500 Lumen)	J (J-box mount retrofit)	1 (120V)	
	S (Screw-in base retrofit (120V only))	2 (277V)	

Example: C6L15N1EM

Job Information	Type:
Job Name:	
Cat. No.:	
Notes:	

PHILIPS
LIGHTOLIER

C6L15/CUL15

Calculite LED 6" Frame In Kit

Page 2 of 2



Features

Ceiling Cutout: 6 9/16" (167mm)

Depth (including Light Engine): See Light Engine specification sheet for details.

Power Connection: Attaches to light engine via push-in connector (on frame). Removable cover provides access.

Junction Box: UL listed for 8 No. 12 AWG, 90°C through branch circuit connectors. Allows inspection from below.

Thermal Protector: Meets NEC & UL requirements. Do not install insulation above nor within 3" of any part of luminaire.

New Construction Frame:

Mounting Frame: Galvanized stamped steel for dry or plaster ceilings.

Vertical Adjustment: Light engine adjusts in frame below ceilings up to 1 1/8".

Mounting Brackets: Galvanized Steel. Adjustable through aperture. Use 3/4" or 1 1/2" lathing channel, 1/2" EMT or optional mounting bars.

Remodeler Frame:

Compatibility: Wide beam downlight only.

Power Pack: Swivel junction box for tight plenum spaces. Snap-off covers permits wiring from top.

Spring Holder: Galvanized steel. Accepts up to 2 1/2" (64mm) ceiling thickness.

Retrofit Frame:

Compatibility: Wide beam flanged downlight only.

Capability: Converts 6" (153mm) or 7" (178mm) Lightolier incandescent frame-in kit without additional wiring using existing Calculite E26 base.

Socket Cup Support: Spun steel. Holds Calculite incandescent socket cup.

Socket Extender: Phenolic E26 base. Connect to existing lampholder.

Electrical

Electronic Power Supply: 120 or 277V, 50/60Hz, encased, overload and short circuit protected, thermal regulation to protect against overheating, sound rating "A", -20°C minimum starting temperature, 35°C maximum ambient environment. Dimmable with 0-10V dimmer.

Dimming compatibility: See LED-DIM specification sheet.

Input Voltage	Input Frequency	Input Current	LED Drive Current	Input Power	LED Power	THD	Power Factor
120V	50/60Hz	0.25	350mA	27W	23.1W	<1%	>0.9
277V	50/60Hz	0.11	350mA	27W	23.1W	<1%	>0.9

Rated Life: 100,000 hours

Options and Accessories

Dimming Capability: 0-10V. See LED-DIM specification sheet

Emergency Capability (Integral): Add "EM" suffix. See LED-EM spec sheet.

Emergency Capability (Inverter): See LED-LMI specification sheet

Sloped Ceilings: See specification sheet SCA.

Mounting Bars: 1950-18" Set of (2)
1951-27" Set of (2)

T-Bar Anchor Clips: 1956-Set of (4), for use with above

Labels

UL, cUL, I.B.E.W.

5 Year Warranty



Philips Lightolier
e: lol.webmaster@philips.com
t: (508) 679-8131
w: www.lightolier.com

C6L15-CUL15 November 30, 2011

Specifications are subject to change without notice.
© Koninklijke Philips Electronics N.V., 2011. All rights reserved.

Job Information	Type:
------------------------	--------------