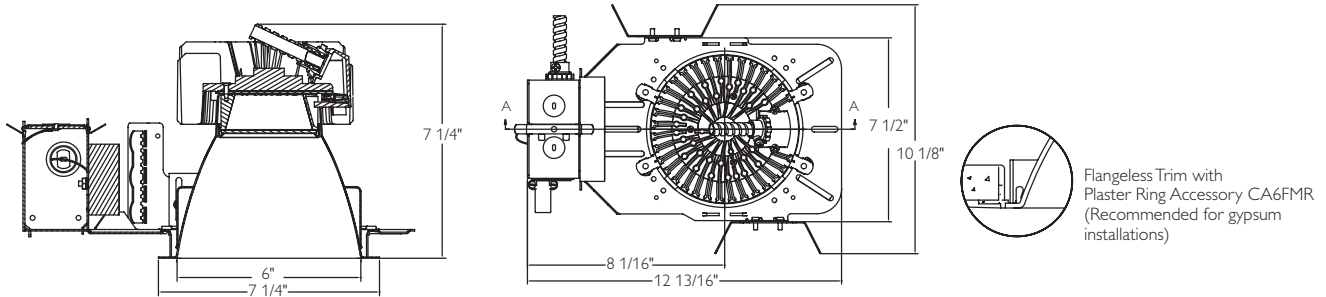


C6L10DL (M)

Calculite LED 6" Downlight Medium Beam



Ordering Guide: Light Engines

Light Engine Series	Style	Color Temp.	Beam Type	Reflector Finish	Flange	Options
C6L10	DL (Downlight)	27K (2700K) 30K (3000K) 35K (3500K) 40K (4000K)	M (Medium, 0.9)	CL (Clear) CCL (Comfort Clear) CCD (Comfort Clear Diffuse) CCZ (Champagne Bronze) WH (Painted White)	W (Painted white) P (Aperture-matching/polished) FT (Flush-mount/flangeless) ¹	EM (Integral emergency test switch)

Example: C6L10DL35KMCCLWEM

¹Accessory CA6FMR recommended for gypsum applications. Reflector flange is 1/8".

Ordering Guide: Frame-in Kits

Frame-in Kit Series	Installation Options	Input Voltage	Options
C6L10 (1000 Lumens)	N (New construction) R (Remodeler)	1 (120V) 2 (277V)	Blank (ELV dimming) EM (Emergency)
CUL10 (1000 Lumens)	J (J-box mount retrofit) S (Screw-in base retrofit (120V only))	1 (120V) 2 (277V)	Blank (ELV dimming)

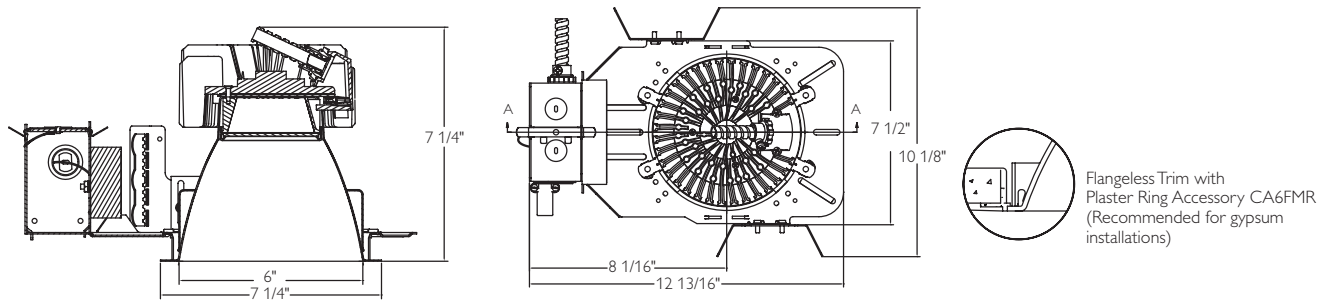
Example: C6L10NIEM

Job Information	Type:
Job Name:	
Cat. No.:	
Notes:	

C6L10DL (M)

Calculite LED 6" Downlight Medium Beam

Page 2 of 2



Features

Aperture: 6" (152 mm) I.D., 7 1/4" (184mm) O.D.

Input Wattage: 20W (1000 Lumens)

Reflector Cone: Aluminum. Provides 50° cutoff to source & source image. Self-flanged.

Depth (including Frame-in kit): 7 1/4" (184mm)

Power Connection: Attaches to frame-in kit via push-in connector (on frame). Removable cover provides access.

Technology

LED Board: Array of high brightness royal blue LED's.

Remote Phosphor Technology: Remote phosphor technology provides increased efficiency and color consistency. Phosphor lens assembly positioned in front of LED array converts blue light to white. Color shift will not exceed +/- 100K over life.

Optical Mixing Chamber: Lightolier-specific mixing chamber redirects back-reflected light through aperture resulting in 20% increase in efficiency.

Thermal Management: Proprietary heat sink and thermal design along with clean room assembly ensures specified performance.

Rated Life: Based on IESNA LM-80-2008

1000 Lumen – 50,000 hours at 70% lumen maintenance.

Photometric Performance: Tested in accordance to IESNA LM-79-2008

Options

Dimming Capability: ELV, See LED-DIM specification sheet

Emergency Capability (Integral): Add "EM" suffix. See LED-EM spec sheet.

Emergency Capability (Inverter): See LED-LMI specification sheet

Labels

UL (suitable for wet locations), cUL, I.B.E.W.

5 Year Warranty



Philips Lightolier
e: lol.webmaster@philips.com
t: (508) 679-8131
w: www.lightolier.com

C6L10DL(M) October 18, 2011

Specifications are subject to change without notice.
© Koninklijke Philips Electronics N.V., 2011. All rights reserved.

Job Information	Type:
------------------------	--------------