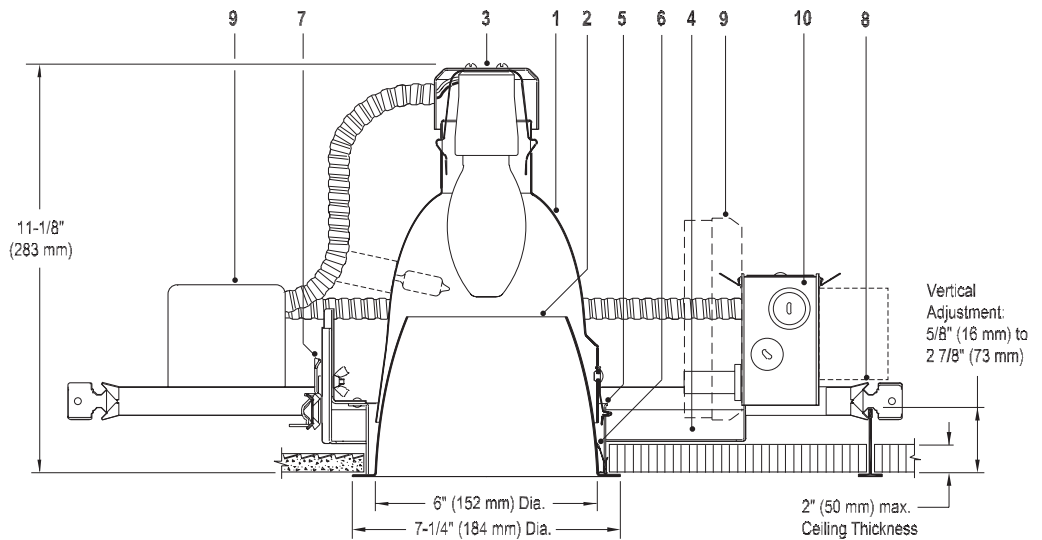
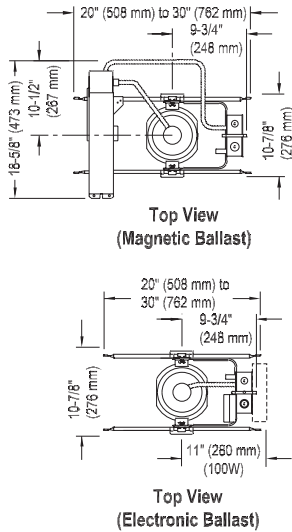




Calculite® HID Downlight C6E170VW



Ceiling Cutout: 6 9/16" (167 mm) Dia.

Reflector Trim	Frame-In Kit	Lamp (Coated, Ceramic MH)
C6E170VW CLW Specular Clear, White Painted Flange.	C670MHOE1 Electronic, 120V	70W E17, ED17, BD17 (Open Rated)
CLP Specular Clear, Matching Flange.	C670MHOE2 Electronic, 277V	70W E17, ED17, BD17 (Open Rated)
CCDW Comfort Clear Diffuse, White Painted Flange.	C610MHOE1 Electronic, 120V	100W E17, ED17, BD17 (Open Rated)
CCDP Comfort Clear Diffuse, Matching Flange.	C610MHOE2 Electronic, 277V	100W E17, ED17, BD17 (Open Rated)
CCZW Champagne Bronze, White Painted Flange.	C670MHOE Magnetic, 120V/277V	70W E17, ED17, BD17 (Open Rated)
CCZP Champagne Bronze, Matching Flange.	C610MHOE Magnetic, 120V/277V	100W E17, ED17, BD17 (Open Rated)

Features

- Upper Reflector:** Clear anodized aluminum, 0.040" (16-ga.). Provides wide beam distribution.
- Aperture Cone:** Provides 50° visual cut-off to lamp and lamp image; self-flange in painted white or aperture-matching polished flange. Consult factory for other finishes.
- Socket Cup:** Galvanized steel, pre-wired with medium base pulse rated socket. Snaps onto upper reflector for secure attachment without tools; unitized construction assures proper lamp alignment to optics for consistent performance.
- Mounting Frame:** 0.048" (18-ga.) galvanized steel includes pre-installed mounting bars.
- Mounting Ring:** 0.048" (18-ga.) galvanized steel. Designed for vertical adjustment from above or below for ceilings from 0" to 2" thick. Center-line notches allow consistent alignment of multiple fixtures.
- Aperture Cone Retention Springs:** Rust resistant springs secure cone in place for quick, tool-less installation.
- Frame Vertical Adjustment Mechanism:** Vertical adjustment mechanism accommodates mounting to virtually any ceiling system using pre-installed mounting bars, or 1/2" EMT tubing (by others). Single locking feature secures all adjustments. Alignment holes and markings allow fixture to be pre-set prior to installation.
- Mounting Bars:** 0.048" (18-ga.) Pre-installed, telescoping bars extend to 30" long and lock securely into position. Built-in locking tabs provide positive attachment to common T-bar systems. Self-centering feature simplifies installation in 24" O.C. grid systems. Attaches to steel or wood joists without accessories.
- Ballast:** Electronic 120V or 277V. Magnetic dual voltage (120V & 277V). Accessible from below for inspection and/or replacement without tools.
- Junction Box:** 0.048" (18-ga.) galvanized steel. UL listed for 8 No. 12 AWG, 90°C through branch circuit conductors; allows inspection from below.
- Thermal Protector:** (Not Shown) Meets NEC and UL requirements. Do not install insulation above nor within 3" (76mm) of any part of the luminaire.

Electrical

Electronic Ballast: 120V or 277V, 50/60 Hz., enclosed, high-power factor, T.H.D. <15%, thermally and transient protected, RMI / RFI complies with FCC Part 18 non-consumer equipment, shut-down circuit at end of lamp life, sound rating "A", -5°F minimum starting temperature, Type 1 outdoor rating.

Electrical (cont)

Ballast	ANSI Code	Voltage	Max. Amps	Input Watts
70W MH	M98/M139	120/277	0.67/0.29	78
100W MH	M90/M140	120/277	0.90/0.43	110

Magnetic Ballast: 120/277V dual voltage, 60 Hz., enclosed and potted, HX-HPF circuit type, high power factor, sound rating "B", -20°F minimum starting temperature, Type 1 Outdoor rating.

Ballast	ANSI Code	Voltage	Max. Amps	Input Watts
70W MH	M98/M143	120/277	1.90/0.80	94
100W MH	M90/M140	120/277	0.90/0.43	125

Options and Accessories

Auxiliary: Add suffix **A** to Frame-In Kit and Reflector Trim. See Spec.Sheet "A/E"

Emergency Lamp: Add suffix **E** to FIK and Reflector Trim. See Spec.Sheet "A/E"

Slope Ceiling Adapters: See Specification Sheet SCA.

Fuse (magnetic ballast): Add suffix **F1** or **F2** to FIK (F1=120V F2=277V)

Chicago Plenum: Consult Factory.

Labels

UL (Suitable for Damp Locations), CSA, I.B.E.W.

Job Information	Type:
Job Name:	
Cat. No.:	
Lamp(s):	
Notes:	

Lightolier a Genlyte Thomas Company www.lightolier.com
 631 Airport Road, Fall River, MA 02720 • (508) 679-8131 • Fax (508) 674-4710
 We reserve the right to change details of design, materials and finish.
 © 2004 Genlyte Thomas Group LLC (Lightolier Division) • A0504

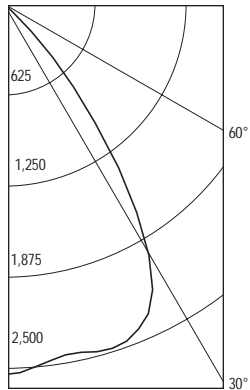
LIGHTOLIER®



Calculite® HID Downlight C6E170VW

70W ED17 PHILIPS COATED METAL HALIDE LAMP-3K. LUMEN RATING = 5700 LMS, ELECTRONIC AROMAT BALLAST, CL FINISH REFLECTOR

CANDLEPOWER DISTRIBUTION



ANGLE	MEAN CP	LUMS.
0	2543	
5	2498	238
10	2444	
15	2470	698
20	2462	
25	2345	1058
30	1990	
35	1373	860
40	742	
45	264	249
50	19	
55	3	6
60	1	
65	0	0
70	0	
75	0	0
80	0	
85	0	0
90	0	

LUMINANCE SUMMARY - CD. / SQ. M.

ANGLE	MEAN CD/SQ M
45	20520
55	307
65	0
75	0
85	0

ZONAL LUMENS AND PERCENTAGES			
ZONE	LUMENS	% LAMP	%LUMINAIRE
0-30	1993	34.98	64.12
0-40	2854	50.07	91.78
0-60	3109	54.55	99.99
0-90	3109	54.56	100.00
40-90	255	4.48	8.22
60-90	0	0	0.01
90-180	0	0	0
0-180	3109	54.56	100.00

Coefficients of Utilization

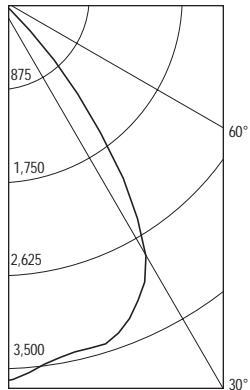
CEILING	80%				70%		50%		30%		0
	70	50	30	10	50	10	50	10	50	10	
WALL	Zonal Cavity Method - Effective Floor Cavity Reflectance = 20%										
RCR	LUMINAIRE INPUT WATTS = 78										
0	.65	.65	.65	.65	.63	.63	.61	.61	.58	.58	.55
1	.62	.61	.60	.59	.60	.58	.58	.56	.56	.54	.52
2	.60	.57	.55	.54	.56	.53	.55	.52	.53	.51	.49
3	.57	.54	.52	.50	.53	.49	.52	.49	.51	.48	.46
4	.55	.51	.48	.46	.50	.46	.49	.45	.48	.45	.44
5	.52	.48	.45	.43	.47	.43	.46	.42	.46	.42	.41
6	.50	.45	.42	.40	.45	.40	.44	.40	.43	.40	.39
7	.47	.43	.40	.38	.42	.37	.41	.37	.41	.37	.36
8	.45	.40	.37	.35	.40	.35	.39	.35	.39	.34	.34
9	.42	.37	.34	.32	.37	.32	.37	.32	.36	.32	.31
10	.40	.35	.32	.30	.35	.30	.34	.30	.34	.30	.29

** EFFICIENCY = 54.6%
SC = 1.0

CERTIFIED TEST REPORT NO. 2540FR, DATE: NOV 8, 2003
S/MH = 1.2
COMPUTED BY LSI PROGRAM **TEST-LITE**

100W ED17 PHILIPS COATED METAL HALIDE LAMP-3K LUMEN RATING = 8500 LMS. ELECTRONIC BALLAST, CL FINISH REFLECTOR

CANDLEPOWER DISTRIBUTION



ANGLE	MEAN CP	LUMS.
0	36	30
5	3549	338
10	3446	
15	3421	968
20	3365	
25	3154	1445
30	2817	
35	2083	1284
40	1192	
45	448	417
50	68	
55	19	25
60	8	
65	5	5
70	2	
75	0	1
80	0	
85	0	0
90	0	

LUMINANCE SUMMARY - CD. / SQ. M.

ANGLE	MEAN CD/SQ M
45	34835
55	1782
65	658
75	0
85	0

ZONAL LUMENS AND PERCENTAGES			
ZONE	LUMENS	% LAMP	%LUMINAIRE
0-30	2751	32.37	61.37
0-40	4034	47.47	90.01
0-60	4477	52.67	99.88
0-90	4482	52.74	100
40-90	447	5.27	9.99
60-90	5	0.06	0.12
90-180	0	0	0
0-180	4482	52.74	100

Coefficients of Utilization

CEILING	80%				70%		50%		30%		0
	70	50	30	10	50	10	50	10	50	10	
WALL	Zonal Cavity Method - Effective Floor Cavity Reflectance = 20%										
RCR	LUMINAIRE INPUT WATTS = 110										
0	.63	.63	.63	.63	.61	.61	.59	.59	.56	.56	.53
1	.60	.59	.58	.56	.58	.56	.55	.54	.54	.52	.50
2	.57	.55	.53	.52	.54	.51	.53	.50	.51	.49	.47
3	.55	.52	.50	.48	.51	.47	.50	.47	.49	.46	.44
4	.52	.49	.46	.44	.48	.44	.47	.43	.46	.43	.42
5	.50	.46	.43	.41	.45	.41	.44	.40	.44	.40	.39
6	.48	.43	.40	.38	.43	.38	.42	.38	.41	.38	.37
7	.45	.40	.38	.35	.40	.35	.39	.35	.39	.35	.34
8	.43	.38	.35	.33	.37	.33	.37	.33	.37	.32	.32
9	.40	.35	.32	.30	.35	.30	.35	.30	.34	.30	.29
10	.38	.33	.30	.28	.33	.28	.32	.28	.32	.28	.27

** EFFICIENCY = 52.7% **
SC = 1.1

CERTIFIED TEST REPORT NO. 2338FR, DATE: OCT 19, 2003
S/MH = 1.2
COMPUTED BY LSI PROGRAM **TEST-LITE**

LIGHTOLIER®

Job Information Type: