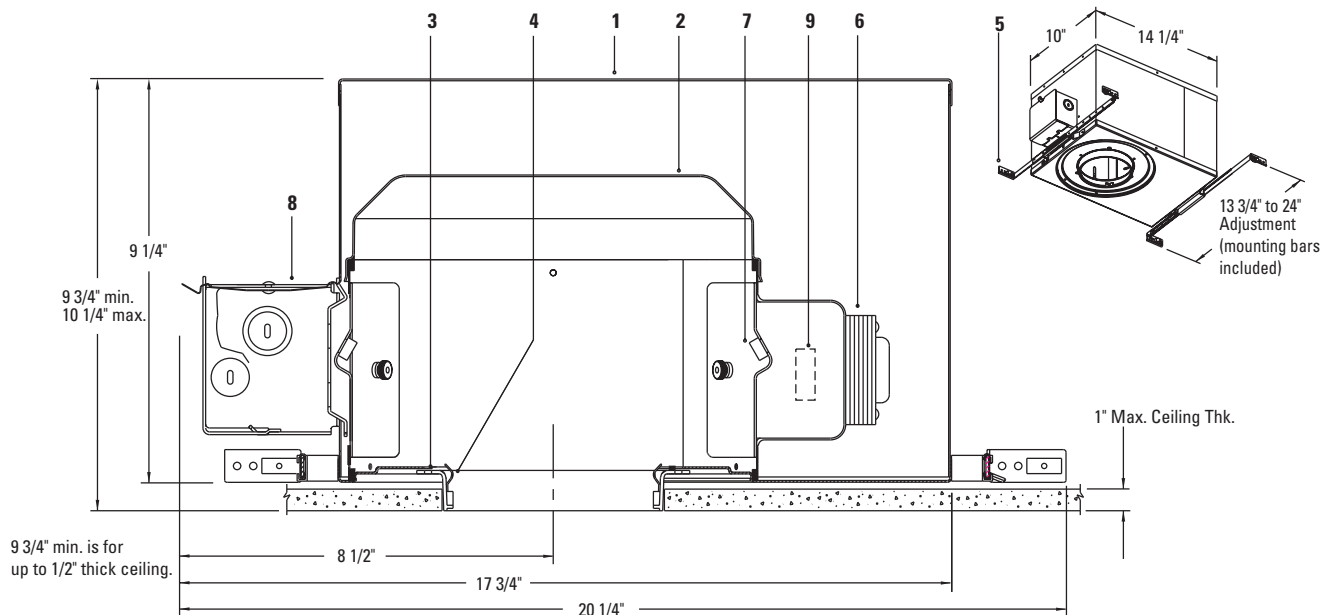




Calculite® Evolution Recessed Downlighting **C6AICLV**



Ceiling Cutout: 6 11/16" Dia.

Frame-In Kit	Reflector Trim
C6AICLV	Adjustable Accent
	C6P36A
	35W - 75W PAR36 (12V)
	25W PAR36 (5.5V)
	35W - 75W AR111 (12V)

Features

- Outer Housing:** Raw aluminum 0.036" (18ga.) allows for heat dissipation. Top and bottom cover: aluminum 0.050" (16 ga.). Top cover removable for top access.
- Housing:** Steel, 0.03" (22 ga.). Top Cover: Aluminum, 0.04" (14 ga.). Matte black finish. AirSeal® housing minimizes air leakage to less than 2CFM at 1.57 PSF (or 75pa) in accordance with ASTM E-283, which complies with Model Energy Code and Washington State Energy Code and reduces heat loss and condensation in ceiling.
- Mounting Frame:** Die-cast aluminum for dry or plaster ceilings. Locks into position along length of mounting bars with locking screws.
- Retaining Springs:** Precision-tooled steel springs secure reflector trim to mounting frame for quick, tool-less installation.
- Mounting Bars:** Galvanized steel, 0.06" (16 ga.). Bars pivot for easy installation and wire-in below ceiling line. Bars extend to accommodate 16" to 24" O.C. joist spacing. Integral self-tapping screws for secure to wood or metal construction. Built-in tabs for locking to T-bars without the need of accessories.
- Transformer:** Magnetic, 120V tap primary, nominal 12V and 5.5V secondary.
- Snap-In Connectors:** Keyed to accept power and socket harnesses which are provided with reflector trim.
- Junction Box:** Galvanized steel .063" (14 ga.). UL listed for maximum of 4 No. 12 AWG 90°C through branch circuit conductors. Accessible from inside and outside of fixture. Outside J-Box door is hinged for maximum opening. Snap-in plug is provided on inside cover for quick connection to power harness.
- Thermal Protector:** Meets NEC and UL requirements.
- Reflector Trim:** Compatible reflector trims are listed above. See separate reflector trim specification sheets for complete catalog numbers and details.

Options & Accessories

Chicago Plenum Consult Factory

Electrical

Use with dimmers rated for low voltage lamps and magnetic transformers. Consult Lightolier Controls Catalog.

Labels

UL Listed (Type I.C., Suitable for damp locations), I.B.E.W. Complies with Air Leakage Requirements stated in the Model Energy Code, the Washington State Energy Code and Title 24.

Job Information	Type:
Job Name:	
Cat. No.:	
Lamp(s):	
Notes:	

Lightolier a Genlyte company www.lightolier.com
 631 Airport Road, Fall River, MA 02720 • (508) 679-8131 • Fax (508) 674-4710
 We reserve the right to change details of design, materials and finish.
 © 2011 Genlyte Group LLC • C0711

LIGHTOLIER®