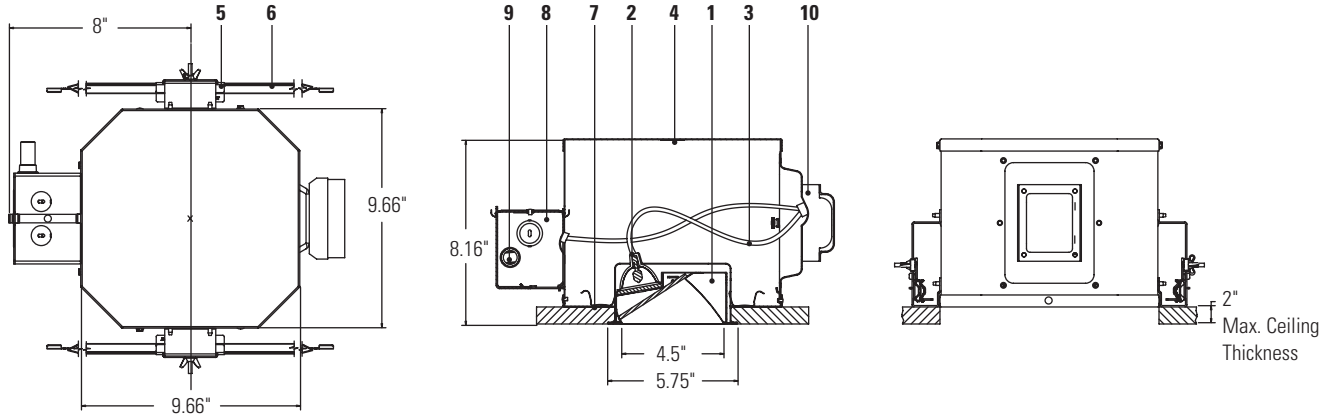


# Calculite® Matrix Low Voltage Lensed Wall Wash **C4X4MRL**

Page 1 of 2

4½" X 4½" Square Aperture (1) MR16 Low Voltage



Ceiling Cutout: 5 1/4" x 5 1/4" (130 mm x 130mm) Dia.

## Ordering Information

| Frame-In Kits   | Reflector Trims   | Finish/Flange  | Lamp  |
|---|---|--|---|
| <b>C4X4LVMU</b> Magnetic 120/277V<br><b>C4X4LVE1</b> Electronic 120V<br><b>C4X4LVE2</b> Electronic 277V | <b>C4X4MRLCLW</b><br><b>C4X4MRLCLP</b><br><b>C4X4MRLCCLW</b><br><b>C4X4MRLCCLP</b><br><b>C4X4MRLCCDW</b><br><b>C4X4MRLCCDP</b><br><b>C4X4MRLWHW</b> | Specular Clear/White<br>Specular Clear/Polished<br>Comfort Clear/White<br>Comfort Clear/Polished<br>Comfort Clear Diffuse/White<br>Comfort Clear Diffuse/Polished<br>White/White | (1) 12V MR16 Type Lamp<br>65W Max or IR 37W Max |

## Features

- Reflector Trim:** 55° physical and reflected cutoff. Available with integral flange painted white or polished to match inside of cone.
- Lamp Holder:** Unitized optics ensure alignment of lamp and aperture cone. Directional and soft focus lens ships standard. Adjust trim kit vertically to accommodate up to 2" thick ceiling.
- Socket:** Ceramic body with mica cover, GX5.3 (MR-16) base.
- Frame Housing:** Steel, 0.029" (22-Ga.), matte black finish. Removable cover for top relamping.
- Frame Vertical Adjustment Mechanism:** Accommodates mounting to virtually any ceiling system using pre-installed mounting bars, or ½" EMT tubing (by others). Single locking feature secures all adjustments. Alignment holes and markings allow fixture to be pre-set prior to installation. Final adjustment can be made from below from inside the fixture.
- Mounting Bars:** Galvanized steel, 0.048" (18-ga.), pre-installed telescoping bars extend to 30" long and lock securely into position. Built-in locking tabs provide positive attachment to common T-bar systems. Self-centering feature simplifies installation in 24" O.C. grid systems. Attaches to steel or wood joists without accessories.
- Retention Springs:** Rust resistant springs secure trim for quick, tool-less installation.
- Junction Box:** 0.059" (16-ga.) galvanized steel. UL listed for 8 No. 12 AWG, 90°C through branch circuit conductors. Allows inspection from below.
- Thermal Protector:** Meets NEC and UL requirements. Do not install insulation above nor within 3" (76mm) of any part of the luminaire.
- Transformer:** Replaceable from below. Magnetic: 120/277V 60 Hz. Dual-voltage, core & coil. Electronic: 120V or 277V 50/60 Hz., regulated lamp voltage, HPF, EMI and circuit protections, thermal auto-reset, quiet operation.

## Options and Accessories

Accepts one optical accessory  
 2" diameter color filter/specialty filter: ADF2/AF2

## Labels

UL, cUL (Suitable for Wet Locations)

## Job Information

## Type:

**Job Name:**

**Cat. No.:**

**Lamp(s):**

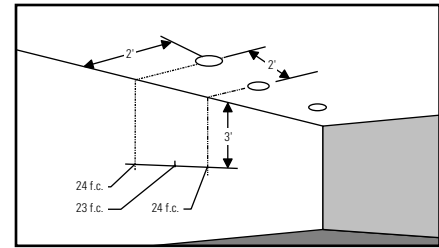
**Notes:**

Lightolier a Genlyte company [www.lightolier.com](http://www.lightolier.com)  
 631 Airport Road, Fall River, MA 02720 • (508) 679-8131 • Fax (508) 674-4710  
 We reserve the right to change details of design, materials and finish.  
 © 2007 Genlyte Group LLC • B1009

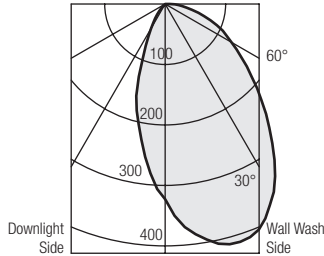
**LIGHTOLIER®**

# Calculite® Matrix Low Voltage Lensed Wall Wash **C4X4MRL**

**Lighting Data - Example (37W)**  
**C4X4MRCLW** illumination on the wall 3' down from the ceiling is 24 f.c. beneath and 23 f.c. between fixtures.



## 4½" x 4½" Aperture 37W MR16 IR-40°



Lumen Rating = 840 LMS.  
 Efficiency = 55.1%

**Multiple Units - Footcandles On Wall**  
 2' from Wall - 2' On Center

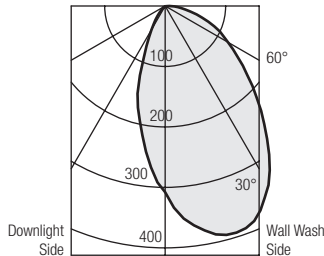
| Distance From Ceiling in Feet | 1  | 2  | 3  | 4 |
|-------------------------------|----|----|----|---|
| 1                             | 26 | 25 | 26 |   |
| 2                             | 30 | 28 | 30 |   |
| 3                             | 24 | 23 | 24 |   |
| 4                             | 18 | 18 | 18 |   |
| 5                             | 14 | 13 | 14 |   |
| 6                             | 11 | 11 | 11 |   |
| 7                             | 7  | 7  | 7  |   |
| 8                             | 6  | 6  | 6  |   |
| 9                             | 5  | 5  | 5  |   |
| 10                            | 4  | 4  | 4  |   |

**Multiple Units - Footcandles On Wall**  
 2' from Wall - 3' On Center

| Distance From Ceiling in Feet | 1  | 2  | 3  | 4 |
|-------------------------------|----|----|----|---|
| 1                             | 22 | 12 | 22 |   |
| 2                             | 24 | 16 | 24 |   |
| 3                             | 18 | 14 | 18 |   |
| 4                             | 13 | 11 | 13 |   |
| 5                             | 9  | 8  | 9  |   |
| 6                             | 7  | 7  | 7  |   |
| 7                             | 5  | 5  | 5  |   |
| 8                             | 4  | 4  | 4  |   |
| 9                             | 4  | 3  | 4  |   |
| 10                            | 3  | 3  | 3  |   |

Tested According To Ies Procedures. Test Distance Exceeds Five Times The Greatest Luminous Opening Of Luminaire

## 4½" x 4½" Aperture 50W MR16-40°



Lumen Rating = 800 LMS.  
 Efficiency = 55.1%

**Multiple Units - Footcandles On Wall**  
 2' from Wall - 2' On Center

| Distance From Ceiling in Feet | 1  | 2  | 3  | 4 |
|-------------------------------|----|----|----|---|
| 1                             | 25 | 24 | 25 |   |
| 2                             | 29 | 27 | 29 |   |
| 3                             | 23 | 22 | 23 |   |
| 4                             | 17 | 17 | 17 |   |
| 5                             | 13 | 12 | 13 |   |
| 6                             | 10 | 10 | 10 |   |
| 7                             | 7  | 7  | 7  |   |
| 8                             | 6  | 6  | 6  |   |
| 9                             | 5  | 5  | 5  |   |
| 10                            | 4  | 4  | 4  |   |

**Multiple Units - Footcandles On Wall**  
 2' from Wall - 3' On Center

| Distance From Ceiling in Feet | 1  | 2  | 3  | 4 |
|-------------------------------|----|----|----|---|
| 1                             | 25 | 24 | 25 |   |
| 2                             | 29 | 27 | 29 |   |
| 3                             | 23 | 22 | 23 |   |
| 4                             | 17 | 17 | 17 |   |
| 5                             | 13 | 12 | 13 |   |
| 6                             | 10 | 10 | 10 |   |
| 7                             | 7  | 7  | 7  |   |
| 8                             | 6  | 6  | 6  |   |
| 9                             | 5  | 5  | 5  |   |
| 10                            | 4  | 4  | 4  |   |

Tested According To Ies Procedures. Test Distance Exceeds Five Times The Greatest Luminous Opening Of Luminaire

**Job Information** **Type:**

Lightolier a Genlyte company [www.lightolier.com](http://www.lightolier.com)  
 631 Airport Road, Fall River, MA 02720 • (508) 679-8131 • Fax (508) 674-4710  
 We reserve the right to change details of design, materials and finish.  
 © 2007 Genlyte Group LLC • B1009