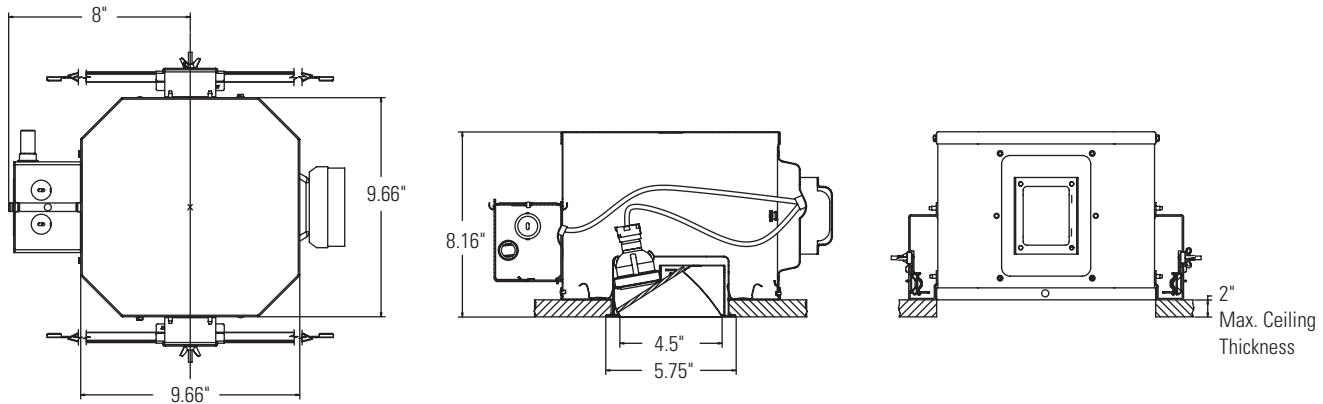


Calculite® Matrix HID Lensed Wall Wash **C4X4MRL**

Page 1 of 2

4½" X 4½" Square Aperture (1) 20W CMH MR16



Ceiling Cutout: 5 1/4" x 5 1/4" (130 mm x 130mm) Dia.

Ordering Information

Frame-In Kits	Reflector Trims	Finish/Flange	Lamp
C4X420MREU Electronic 120/277V	C4X4MRLCLW C4X4MRLCLP C4X4MRLCCLW C4X4MRLCCLP C4X4MRLCCDW C4X4MRLCCDP C4X4MRLWHW	Specular Clear/White Specular Clear/Polished Comfort Clear/White Comfort Clear/Polished Comfort Clear Diffuse/White Comfort Clear Diffuse/Polished White/White	(1) 20W MR16 CMH GX10 Base

Features

- Reflector Trim:** 55° physical and reflected cutoff. Available with integral flange painted white or polished to match inside of cone.
- Lamp Holder/Trim Adjustment Assembly:** Unitized optics ensure alignment of lamp and aperture cone regardless of ceiling thickness. Directional and soft focus lens ships standard. Adjust trim kit vertically to accommodate up to 2" thick ceiling.
- Socket:** Twist and lock base. 5kV (600V) pulse rated PPS, black T240 body socket with nickel-plated contacts. 18 AWG silicone leads with fiberglass outer sleeve.
- Frame Housing:** Steel, 0.029" (22-Ga.), matte black finish. Removable cover for top relamping.
- Frame Vertical Adjustment Mechanism:** Accommodates mounting to virtually any ceiling system using pre-installed mounting bars, or ½" EMT tubing (by others). Single locking feature secures all adjustments. Alignment holes and markings allow fixture to be pre-set prior to installation. Final adjustment can be made from below from inside the fixture.
- Mounting Bars:** Galvanized steel, 0.048" (18-ga.), pre-installed telescoping bars extend to 30" long and lock securely into position. Built-in locking tabs provide positive attachment to common T-bar systems. Self-centering feature simplifies installation in 24" O.C. grid systems. Attaches to steel or wood joists without accessories.
- Retention Springs:** Rust resistant springs secure trim for quick, tool-less installation.
- Ballast/Cover Assembly:** Accessible from below and removable without tools for inspection and ballast replacement.
- Junction Box:** 0.059" (16-ga.) galvanized steel. UL listed for 8 No. 12 AWG, 90°C through branch circuit conductors. Allows inspection from below.

Features (continued)

- Thermal Protector:** Meets NEC and UL requirements. Do not install insulation above nor within 3" (76mm) of any part of the luminaire.
- Electronic Ballast:** 120 or 277V, 50/60 Hz., encased, high power factor >0.99, THD <10%, thermally and transient protected, RMI/RFI complies with FCC Part 18 non-consumer limits, shut-down at end of lamp life, sound rating "A", Minimum starting temperature -30°, Type 1 Outdoor rating.

Ballast	ANSI Code	Voltage	Max. Amps	Input Watts
20W MH	M156	120/277V	0.20/0.09	22

Options and Accessories

Does not accept any optical accessories.

Labels

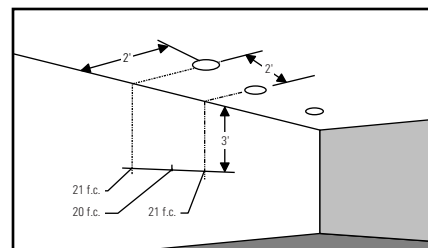
UL, cUL (Suitable For Wet Locations)

Job Information	Type:
Job Name:	
Cat. No.:	
Lamp(s):	
Notes:	

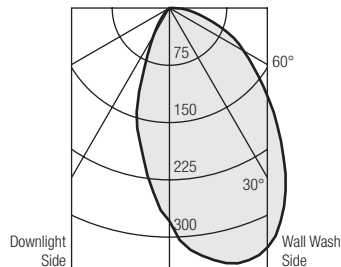
Calculite® Matrix HID Lensed Wall Wash **C4X4MRL**

Lighting Data - Example

Illumination on the wall 3' down from the ceiling is 21 f.c. beneath and 20 f.c. between fixtures.



4½" x 4½" Aperture 20W CMH MR16-40°



20W G.E.HID MR16 40° WFL,
GX10 BASE

Lumen Rating = 1000 LMS.
Efficiency = 40%
Test Report No. 3413FR

Multiple Units - Footcandles On Wall

2' from Wall - 2' On Center

Distance From Ceiling in Feet	□ <--- 2' ---> □		
	1	23	22
2	26	25	26
3	21	20	21
4	15	15	15
5	11	11	11
6	8	8	8
7	7	6	7
8	5	5	5
9	4	4	4
10	4	4	4

Multiple Units - Footcandles On Wall

2' from Wall - 3' On Center

Distance From Ceiling in Feet	□ <--- 3' ---> □		
	1	20	10
2	20	14	20
3	15	12	15
4	11	9	11
5	8	7	8
6	6	6	6
7	4	4	4
8	4	3	4
9	3	3	3
10	3	3	3

Multiple Units - Footcandles On Wall

3' from Wall - 3' On Center

Distance From Ceiling in Feet	□ <--- 3' ---> □		
	1	8	7
2	12	11	12
3	12	11	12
4	11	10	11
5	9	9	9
6	7	7	7
7	6	6	6
8	5	5	5
9	4	4	4
10	4	4	4

Tested According To Ies Procedures. Test Distance Exceeds Five Times The Greatest Luminous Opening Of Luminaire

Job Information **Type:**