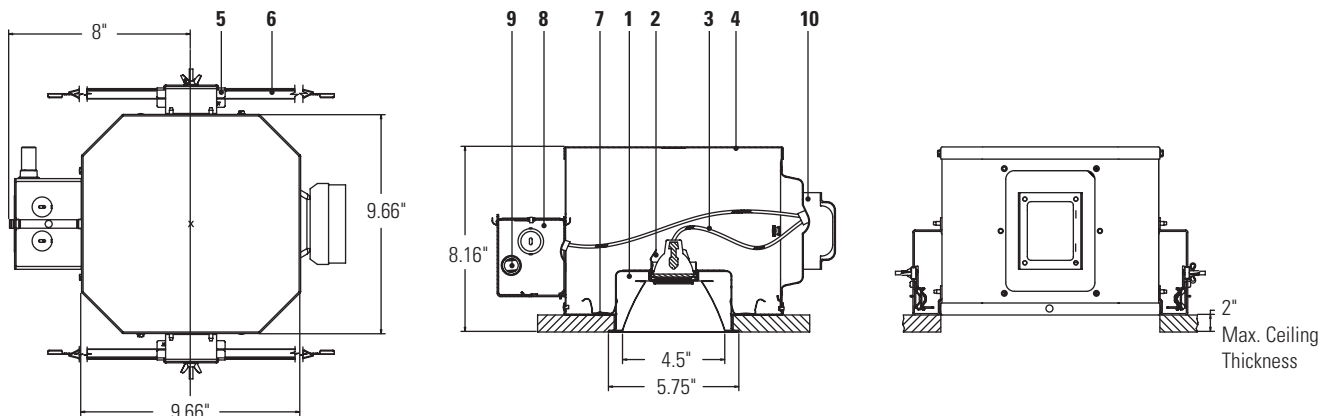


Calculite® Matrix Low Voltage Open Downlight C4X4MRD



Ceiling Cutout: 5 1/4" x 5 1/4" (130 mm x 130mm) Dia.

Ordering Information

Frame-In Kits	Reflector Trims	Finish/Flange	Lamp
C4 X4LVMU Magnetic 120/277V C4X4LVE1 Electronic 120V C4X4LVE2 Electronic 277V	C4X4MRDCLW C4X4MRDCLP C4X4MRDCCLW C4X4MRDCCLP C4X4MRDCCDW C4X4MRDCCDP C4X4MRDWHW	Specular Clear/White Specular Clear/Polished Comfort Clear/White Comfort Clear/Polished Comfort Clear Diffuse/White Comfort Clear Diffuse/Polished White/White	(1) 12V MR16 Type Lamp 65W Max or IR 37W Max

Features

- Reflector Trim:** 55° physical and reflected cutoff. Available with integral flange painted white or polished to match inside of cone.
- Lamp Holder:** Unitized optics ensure alignment of lamp and aperture cone. Soft diffusion lens ships standard. Adjust trim kit vertically to accommodate up to 2" thick ceiling.
- Socket:** Ceramic body with mica cover, GX5.3 (MR-16) base.
- Frame Housing:** Steel, 0.029" (22-Ga.), matte black finish.
- Frame Vertical Adjustment Mechanism:** Accommodates mounting to virtually any ceiling system using pre-installed mounting bars, or ½" EMT tubing (by others). Single locking feature secures all adjustments. Alignment holes and markings allow fixture to be pre-set prior to installation. Final adjustment can be made from below from inside the fixture.
- Mounting Bars:** Galvanized steel, 0.048" (18-ga.), pre-installed telescoping bars extend to 30" long and lock securely into position. Built-in locking tabs provide positive attachment to common T-bar systems. Self-centering feature simplifies installation in 24" O.C. grid systems. Attaches to steel or wood joists without accessories.
- Retention Springs:** Rust resistant springs secure trim for quick, tool-less installation.
- Junction Box:** 0.059" (16-ga.) galvanized steel. UL listed for 8 No. 12 AWG, 90°C through branch circuit conductors. Allows inspection from below.
- Thermal Protector:** Meets NEC and UL requirements. Do not install insulation above nor within 3" (76mm) of any part of the luminaire.
- Transformer:** Replaceable from below. Magnetic: 120/277V 60 Hz. Dual-voltage, core & coil. Electronic: 120V or 277V 50/60 Hz., regulated lamp voltage, HPF, EMI and circuit protections, thermal auto-reset, quiet operation.

Options and Accessories

- Accepts two optical accessories
- 2" diameter color filters/specialty filters: ADF2/AF2
- 2" diameter louver: AL2HC

Labels

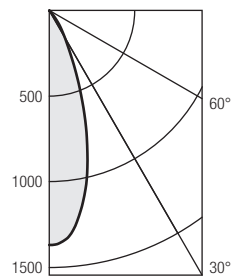
- UL, cUL (Suitable for Damp Locations)

Job Information	Type:
Job Name:	
Cat. No.:	
Lamp(s):	
Notes:	

Lightolier a Genlyte company www.lightolier.com
 631 Airport Road, Fall River, MA 02720 • (508) 679-8131 • Fax (508) 674-4710
 We reserve the right to change details of design, materials and finish.
 © 2007 Genlyte Group LLC • B1009

Calculite® Matrix Low Voltage Open Downlight **C4X4MRD**

4½" x 4½" Aperture 50W MR16-40°



Candlepower Summary		
Angle	Mean CP	Lumens
0	1371	
5	1326	123
10	1137	
15	863	243
20	567	
25	324	162
30	184	
35	108	70
40	48	
45	20	19
50	7	
55	1	2
60	0	
65	0	0
70	0	
75	0	0
80	0	
85	0	0
90	0	

50W MR16 G.E. 40° FL
 Lumen Rating = 800 LMS.
 SC = .6
 Test Report No. 3366FR

Zonal Lumens And Percentages			
Zone	Lumens	%Lamp	%Luminaire
0-30	528	66.02	85.13
0-40	598	74.82	96.48
0-60	619	77.42	99.83
0-90	620	77.56	100.00
40-90	21	2.73	3.52
60-90	1	.1	.17
90-180	0	.00	.00
0-180	620	77.56	100.00

Efficiency = 77.6%

Luminance Summary - CD. / SQ. M.	
Angle	Mean CD/SQ M
45	2164
55	172
65	53
75	87
85	391

Coefficients Of Zonal Cavity		Utilization Method																							
Effective Floor Cavity Reflectance =		.20																							
CC		80				70				50				30				10							
WALL	0	.92	.92	.92	.92	.90	.90	.90	.90	.86	.86	.86	.86	.83	.83	.83	.83	.79	.79	.79	.79	.75	.75	.75	.75
RCR	0	.89	.88	.87	.85	.88	.86	.85	.84	.83	.82	.81	.80	.80	.80	.79	.78	.78	.77	.76	.76	.76	.75	.74	.73
	1	.86	.84	.82	.80	.85	.83	.81	.79	.80	.79	.77	.76	.76	.74	.73	.74	.74	.73	.72	.71	.74	.73	.72	.71
	2	.84	.80	.78	.76	.82	.79	.77	.75	.78	.76	.74	.74	.76	.74	.73	.74	.74	.73	.72	.71	.74	.73	.72	.71
	3	.81	.77	.74	.72	.80	.77	.74	.72	.75	.73	.71	.74	.74	.72	.70	.72	.72	.71	.69	.68	.72	.71	.69	.68
	4	.79	.74	.71	.69	.78	.74	.71	.69	.72	.70	.68	.71	.69	.67	.65	.68	.67	.65	.63	.62	.67	.66	.64	.63
	5	.77	.72	.69	.66	.76	.71	.68	.66	.70	.68	.66	.69	.67	.65	.63	.66	.65	.63	.61	.60	.65	.64	.62	.61
	6	.74	.69	.66	.64	.73	.69	.66	.63	.68	.65	.63	.67	.65	.63	.61	.64	.63	.61	.59	.58	.64	.62	.60	.59
	7	.72	.67	.63	.61	.71	.66	.63	.61	.65	.63	.61	.65	.62	.61	.59	.62	.61	.58	.56	.55	.61	.58	.56	.55
	8	.69	.64	.61	.59	.69	.64	.61	.59	.63	.60	.58	.62	.60	.58	.56	.60	.58	.56	.54	.53	.58	.56	.54	.53
	9	.67	.62	.59	.57	.67	.62	.59	.57	.61	.58	.57	.61	.58	.56	.54	.58	.56	.54	.52	.51	.56	.54	.52	.51
	10	.67	.62	.59	.57	.67	.62	.59	.57	.61	.58	.57	.61	.58	.56	.54	.58	.56	.54	.52	.51	.56	.54	.52	.51

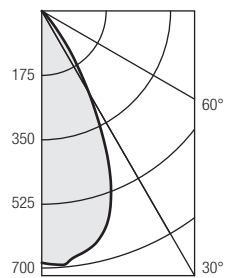
Determined In Accordance With Current IES Published Procedures
 Luminaire Input Watts = 53.0

Tested According To Ies Procedures. Test Distance Exceeds Five Times The Greatest Luminous Opening Of Luminaire

Multiple Unit Data - RCR 1		
Spacing On Center	Initial Footcandles	Watts/ Sq Ft
4'	35	3.38
5'	24	2.34
6'	16	1.49

24' x 24' x 12' Room, Workplane 2 1/2' above floor, 80/50/20% Reflectances

4½" x 4½" Aperture 50W MR16-60°



Candlepower Summary		
Angle	Mean CP	Lumens
0	684	
5	692	65
10	665	
15	630	175
20	549	
25	411	188
30	256	
35	139	93
40	56	
45	21	20
50	6	
55	1	2
60	0	
65	0	0
70	0	
75	0	0
80	0	
85	0	0
90	0	

50W MR16 SYLVANIA 60° VWFL
 Lumen Rating = 825 LMS.
 SC = .8
 Test Report No. 3367FR

Zonal Lumens And Percentages			
Zone	Lumens	%Lamp	%Luminaire
0-30	428	52.00	78.82
0-40	521	63.22	95.83
0-60	543	65.90	99.88
0-90	544	65.97	100.00
40-90	22	2.75	4.17
60-90	0	.08	.12
90-180	0	.00	.00
0-180	544	65.97	100.00

Efficiency = 66.0%

Luminance Summary - CD. / SQ. M.	
Angle	Mean CD/SQ M
45	2262
55	132
65	41
75	53
85	178

Coefficients Of Utilization Zonal Cavity Method		Effective Floor Cavity Reflectance = .20																							
CC		80				70				50				30				10							
WALL	0	.79	.79	.79	.79	.77	.77	.77	.77	.73	.73	.73	.70	.70	.70	.70	.67	.67	.67	.67	.66	.66	.65	.65	.64
RCR	0	.76	.74	.73	.72	.74	.73	.72	.71	.70	.70	.69	.68	.67	.67	.66	.66	.66	.65	.63	.64	.63	.62	.61	.61
	1	.73	.71	.69	.67	.72	.70	.68	.66	.67	.66	.65	.66	.65	.63	.61	.63	.62	.60	.58	.60	.58	.57	.56	.56
	2	.70	.67	.65	.63	.69	.66	.64	.62	.65	.63	.61	.63	.62	.60	.58	.62	.61	.59	.58	.60	.58	.57	.56	.56
	3	.68	.64	.62	.59	.67	.64	.61	.59	.62	.60	.58	.61	.59	.58	.56	.60	.58	.56	.55	.58	.56	.54	.54	.54
	4	.65	.61	.58	.56	.64	.61	.58	.56	.60	.57	.55	.59	.56	.55	.53	.57	.54	.53	.52	.55	.53	.51	.51	.51
	5	.63	.59	.56	.54	.62	.58	.55	.53	.57	.55	.53	.57	.54	.53	.51	.56	.54	.52	.50	.53	.51	.49	.49	.49
	6	.61	.56	.53	.51	.60	.56	.53	.51	.55	.52	.50	.54	.52	.50	.48	.54	.51	.49	.47	.51	.49	.47	.46	.46
	7	.59	.53	.50	.48	.58	.53	.50	.48	.52	.50	.48	.52	.50	.48	.46	.52	.48	.46	.44	.48	.46	.44	.43	.43
	8	.56	.51	.48	.46	.56	.51	.48	.46	.50	.47	.46	.50	.47	.45	.43	.49	.47	.45	.43	.47	.45	.43	.42	.42
	9	.54	.49	.46	.44	.53	.49	.46	.44	.48	.45	.44	.48	.45	.43	.41	.47	.45	.43	.41	.45	.43	.41	.40	.40
	10	.54	.49	.46	.44	.53	.49	.46	.44	.48	.45	.44	.48	.45	.43	.41	.47	.45	.43	.41	.45	.43	.41	.40	.40

Determined In Accordance With Current IES Published Procedures
 Luminaire Input Watts = 54.0

Tested According To Ies Procedures. Test Distance Exceeds Five Times The Greatest Luminous Opening Of Luminaire

Multiple Unit Data - RCR 1		
Spacing On Center	Initial Footcandles	Watts/ Sq Ft
4'	31	3.38
5'	21	2.34
6'	14	1.49

24' x 24' x 12' Room, Workplane 2 1/2' above floor, 80/50/20% Reflectances

Job Information **Type:**

Lightolier a Genlyte company www.lightolier.com
 631 Airport Road, Fall River, MA 02720 • (508) 679-8131 • Fax (508) 674-4710
 We reserve the right to change details of design, materials and finish.
 © 2007 Genlyte Group LLC • B1009

LIGHTOLIER®