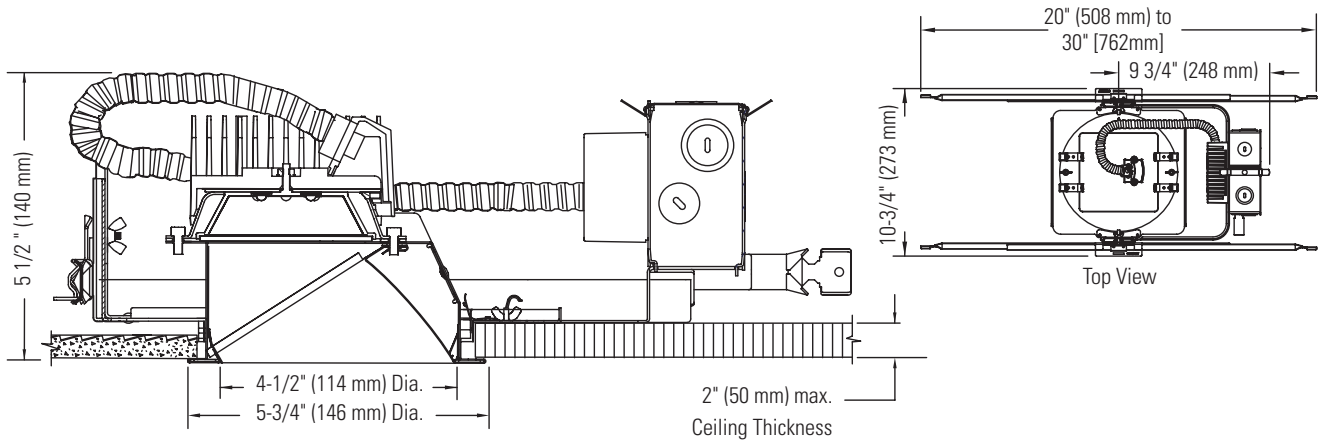


C4X4L05WW

Calculite LED 4 1/2" X 4 1/2" Lensed Wall Washer

Page 1 of 4



Ordering Guide: Light Engines

Light Engine Series	Style	Color Temperature	Reflector Finish	Flange
C4X4L05	WW (Lensed wall washer)	27K (2700K) 30K (3000K) 35K (3500K) 40K (4000K)	CL (Clear) CCL (Comfort Clear) CCD (Comfort Clear Diffuse) CCZ (Champagne Bronze) WH (Painted White)	W (Painted white) P (Aperture-matching/polished)

Example: C4X4L05WW35KCCLW

Ordering Guide: Frame-in Kits

Frame-in Kit Series	Installation Options	Input Voltage	Options
C4X4L05	N (New construction)	1 (120V) 2 (277V)*	Blank (Electronic low voltage dimming) EM (Emergency) Z10V (0-10V dimming)
CUL05	J (J-box mount retrofit) S (Screw-in base retrofit (120V only))	1 (120V) 2 (277V)*	Blank (Electronic low voltage dimming) Z10V (0-10V dimming)

Example: C4L05N1EM

*277V dimming applications require Z10V option.

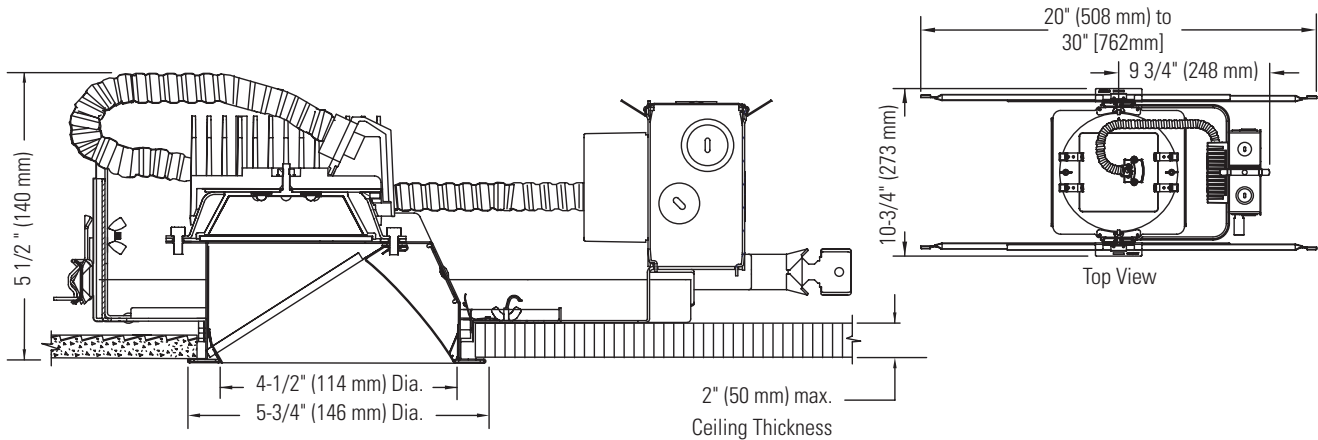
Job Information	Type:
Job Name:	
Cat. No.:	
Notes:	

PHILIPS
LIGHTOLIER

C4X4L05WW

Calculite LED 4 1/2" X 4 1/2" Lensed Wall Washer

Page 2 of 4



Features

Aperture: 4 5/8" x 4 5/8" (117mm) I.D., 5 13/16" (148mm) O.D.

Input Wattage: 9W (+/- 5%)

Reflector Cone: Aluminum. Provides 50° cutoff to source & source image. Self-flanged.

Depth (including Frame-in kit): 5 1/4" (133mm)

Power Connection: Attaches to frame-in kit via push-in connector (on frame). Removable cover provides access.

Technology

LED Board: Array of high brightness royal blue LED's.

Remote Phosphor Technology: Remote phosphor technology provides increased efficiency and color consistency. Phosphor lens assembly positioned in front of LED array converts blue light to white. Color shift will not exceed +/- 100K over life.

Optical Mixing Chamber: Lightolier-specific mixing chamber redirects back-reflected light through aperture resulting in 20% increase in efficiency.

Thermal Management: Heat sink and thermal design along with clean room assembly ensures specified performance.

Technology (continued)

Rated Life: Based on IESNA LM-80-2008
50,000 hours at 70% lumen maintenance.

Photometric Performance: Tested in accordance to IESNA LM-79-2008

Options

Dimming Capability: See LED-DIM specification sheet

Emergency Capability (Integral): Add "EM" suffix. See LED-EM spec sheet.

Emergency Capability (Inverter): See LED-LMI specification sheet

Labels

UL (suitable for wet locations), cUL, I.B.E.W.

5 Year Warranty

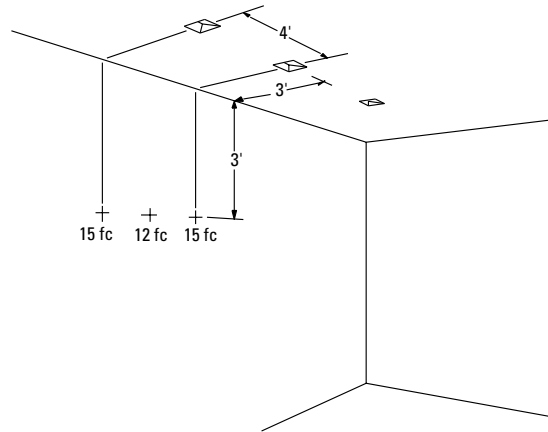
Job Information	Type:
-----------------	-------

PHILIPS

LIGHTOLIER

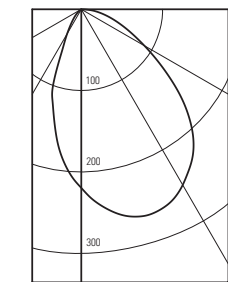
C4X4L05WW

Calculite LED 4 1/2" X 4 1/2" Lensed Wall Washer



Lighting Data - Example
C4X410LEDWW27KCLW illumination on the wall
4' down from the ceiling is 7 f.c.
beneath and 7 f.c. between fixtures.

2700K LED, 2700K, CL FINISH TRIM



Trim:
C4X410LEDWW27KCLW

Reflector Finish:
Specular Clear

Correlated Color Temp¹:
2700K

Input Watts²:
3.7 w

CRI⁴:

downlight
Side Wall Wash 80

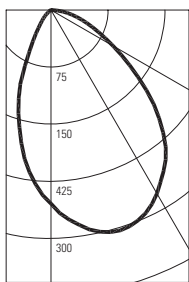
Distance from ceiling in feet	Multiple Units - Footcandles On Wall			
	2' from Wall - 3' On Center		3' On Center	
	1	2	3	4
1	15	7	15	
2	19	13	19	
3	13	12	13	
4	9	9	9	
5	6	6	6	
6	5	5	5	
7	4	4	4	
8	3	3	3	
9	3	3	3	
10	2	2	2	
12	2	2	2	
14	2	2	2	

Distance from ceiling in feet	Multiple Units - Footcandles On Wall			
	3' from Wall - 3' On Center		3' On Center	
	1	2	3	4
1	6	5	6	
2	10	9	10	
3	11	11	11	
4	10	10	10	
5	8	8	8	
6	6	6	6	
7	5	5	5	
8	4	4	4	
9	4	4	4	
10	3	3	3	
12	2	2	2	
14	2	2	2	

Distance from ceiling in feet	Multiple Units - Footcandles On Wall			
	3' from Wall - 4' On Center		4' On Center	
	1	2	3	4
1	5	3	5	
2	8	6	8	
3	9	7	9	
4	7	7	7	
5	6	6	6	
6	5	5	5	
7	4	4	4	
8	3	3	3	
9	3	3	3	
10	2	2	2	
12	2	2	2	
14	1	1	1	

CERTIFIED TEST REPORT NO. F09947³

3000K LED, 3000K, CL FINISH TRIM



Trim:
C4X410LEDWW30KCLW

Reflector Finish:
Specular Clear

Correlated Color Temp¹:
3000K

Input Watts²:
8.7 w

CRI⁴:

downlight
Side Wall Wash 79

Distance from ceiling in feet	Multiple Units - Footcandles On Wall			
	2' from Wall - 3' On Center		3' On Center	
	1	2	3	4
1	16	8	16	
2	21	14	21	
3	15	13	15	
4	10	10	10	
5	7	7	7	
6	6	6	6	
7	4	4	4	
8	3	3	3	
9	3	3	3	
10	2	2	2	
12	2	2	2	
14	2	2	2	

Distance from ceiling in feet	Multiple Units - Footcandles On Wall			
	3' from Wall - 3' On Center		3' On Center	
	1	2	3	4
1	6	5	6	
2	11	9	11	
3	12	12	12	
4	11	11	11	
5	9	9	9	
6	7	7	7	
7	6	6	6	
8	5	5	5	
9	4	4	4	
10	3	3	3	
12	3	3	3	
14	2	2	2	

Distance from ceiling in feet	Multiple Units - Footcandles On Wall			
	3' from Wall - 4' On Center		4' On Center	
	1	2	3	4
1	5	3	5	
2	9	6	9	
3	10	8	10	
4	8	8	8	
5	7	6	7	
6	5	5	5	
7	4	4	4	
8	3	3	3	
9	3	3	3	
10	2	2	2	
12	2	2	2	
14	2	2	2	

CERTIFIED TEST REPORT NO. F09319³

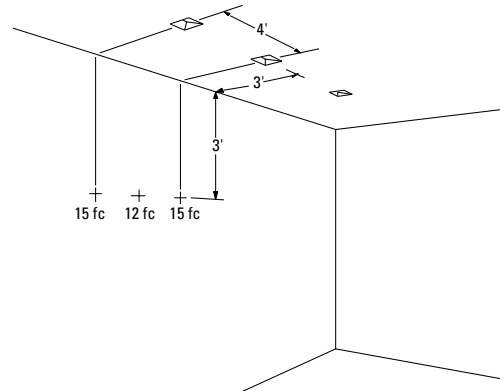
¹Color temperature controlled within specifications as defined by ANSI/NEMA ANSLG 78.377-2008: Specifications for the Chromaticity of Solid State Lighting Products.
²Wattage controlled to within 65%
³Tested using absolute photometry as specified in LM79: IESNA Approved Method for the Electrical and Photometric Measurements of Solid-State Lighting Products.
⁴Color Rendering Index within +/- 2%

Job Information Type:

PHILIPS
LIGHTOLIER

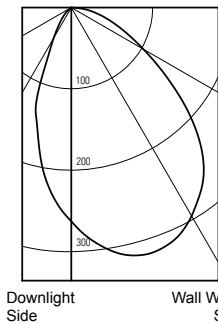
C4X4L05WW

Calculite LED 4 1/2" X 4 1/2" Lensed Wall Washer



Lighting Data - Example
C4X410LEDWW35KCLW illumination on the wall
4' down from the ceiling is 8 f.c.
beneath and 8 f.c. between fixtures.

10W LED, 3500K, CL FINISH TRIM



Trim:
C4X410LEDWW35KCLW

Reflector Finish:
Specular Clear

Correlated Color Temp¹:
3500K

Input Watts²:
8.7 w

CRI⁴:
76

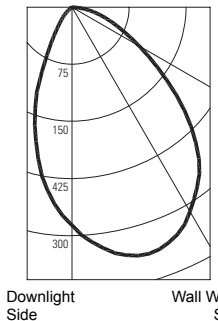
Distance from ceiling in feet	Multiple Units - Footcandles On Wall			
	2' from Wall - 3' On Center		3' On Center	
1	17	8	17	
2	22	15	22	
3	16	14	16	
4	11	11	11	
5	8	8	8	
6	6	6	6	
7	5	4	5	
8	4	4	4	
9	3	3	3	
10	3	3	3	
12	2	2	2	
14	2	2	2	

Distance from ceiling in feet	Multiple Units - Footcandles On Wall			
	3' from Wall - 3' On Center		3' On Center	
1	7	6	7	
2	12	10	12	
3	13	13	13	
4	11	11	11	
5	9	9	9	
6	7	7	7	
7	6	6	6	
8	5	5	5	
9	4	4	4	
10	4	4	4	
12	3	3	3	
14	2	2	2	

Distance from ceiling in feet	Multiple Units - Footcandles On Wall			
	3' from Wall - 4' On Center		4' On Center	
1	6	3	6	
2	10	6	10	
3	11	8	11	
4	9	8	9	
5	7	7	7	
6	6	5	6	
7	4	4	4	
8	4	4	4	
9	3	3	3	
10	3	3	3	
12	2	2	2	
14	2	2	2	

CERTIFIED TEST REPORT NO. F09963³

10W LED, 4000K, CL FINISH TRIM



Trim:
C4X410LEDWW40KCLW

Reflector Finish:
Specular Clear

Correlated Color Temp¹:
4000K

Input Watts²:
8.7 w

CRI⁴:
76

Distance from ceiling in feet	Multiple Units - Footcandles On Wall			
	2' from Wall - 3' On Center		3' On Center	
1	18	9	18	
2	23	15	23	
3	16	15	16	
4	11	11	11	
5	8	8	8	
6	6	6	6	
7	5	5	5	
8	4	4	4	
9	3	3	3	
10	3	3	3	
12	2	2	2	
14	2	2	2	

Distance from ceiling in feet	Multiple Units - Footcandles On Wall			
	3' from Wall - 3' On Center		3' On Center	
1	7	6	7	
2	12	10	12	
3	13	13	13	
4	12	12	12	
5	10	10	10	
6	8	8	8	
7	6	6	6	
8	5	5	5	
9	5	4	5	
10	4	4	4	
12	3	3	3	
14	3	3	3	

Distance from ceiling in feet	Multiple Units - Footcandles On Wall			
	3' from Wall - 4' On Center		4' On Center	
1	6	3	6	
2	10	6	10	
3	11	9	11	
4	9	8	9	
5	7	7	7	
6	6	6	6	
7	5	5	5	
8	4	4	4	
9	3	3	3	
10	3	3	3	
12	2	2	2	
14	2	2	2	

CERTIFIED TEST REPORT NO. F09329³

¹Color temperature controlled within specifications as defined by ANSI_NEMA_ANSLG C78.377-2008: Specifications for the Chromaticity of Solid State Lighting Products.

²Wattage controlled to within 65%.

³Tested using absolute photometry as specified in LM79: IESNA Approved Method for the Electrical and Photometric Measurements of Solid-State Lighting Products.

⁴Color Rendering Index within +/- 2%.



Philips Lightolier
e: lol.webmaster@philips.com
t: (508) 679-8131
w: www.lightolier.com

C4X4L05WW March 21, 2012

Specifications are subject to change without notice.
© Koninklijke Philips Electronics N.V., 2012. All rights reserved.

Job Information Type: