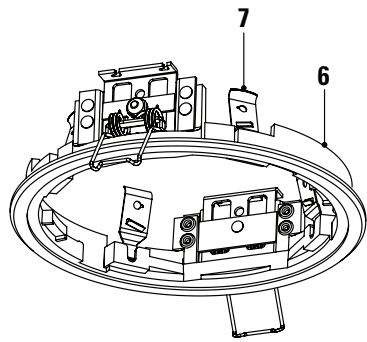


LIGHTOLIER® HID Adjustable C4T4GAEXP-MHT4RS

Page 1 of 2

4 1/2" Aperture, T4 G8.5 Metal Halide Glasslite, 12° Spot, For Export

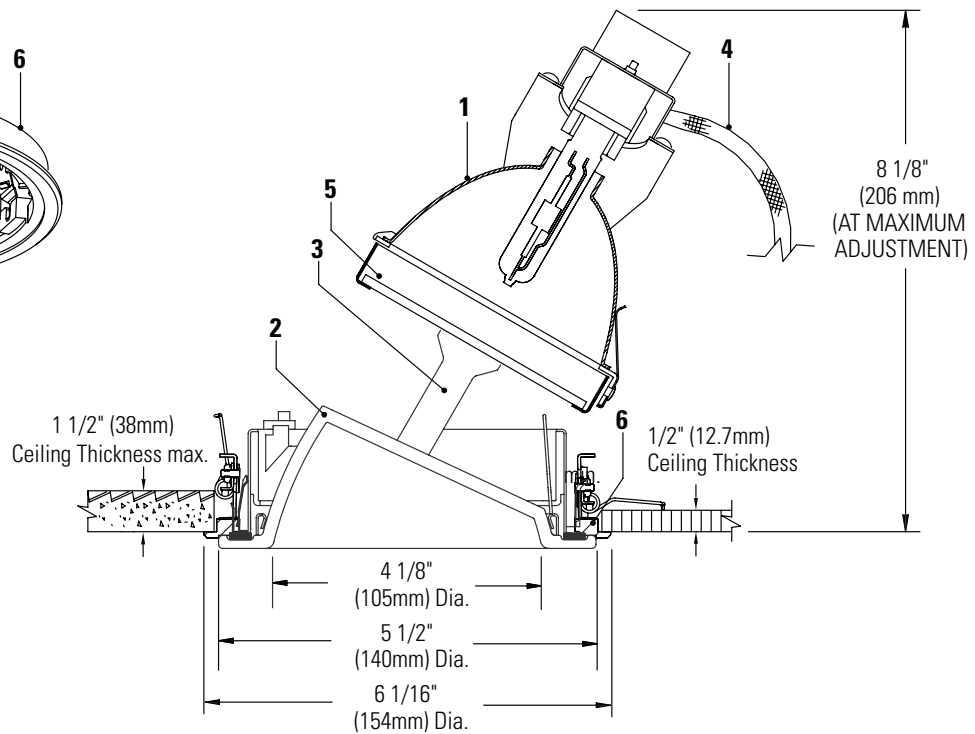


TRIM NOT SHOWN FOR CLARITY

Spot Upper Reflector



Ceiling Cutout: 5 3/4" (146 mm) Dia.



For Complete Fixture Order: Reflector Trim + Upper Reflector + Installation Ring + Gear Harness

Ordering Information

Reflector Trim	Upper Reflector	Installation Ring	Gear Harness	Lamp Data
C4T4GACCDPEXP Etched glass with matching flange	MHT4RS	C4XRMM	BKT4U20 BKT4U39 BKT4U70	CDM-TC G8.5 70W Max

Features

- Upper Reflector:** Specular faceted aluminum; provides 12° beam. Interchangeable with 25° Narrow Flood (MHT4RNF) and 40° Flood (MHT4RF); see spec sheets C4T4GAEXP-MHT4RNF and C4T4GAEXP-MHT4RF. ORDER SEPARATELY.
- Reflector Trim:** One piece borosilicate etched glass.
- Trim Adjustment Mechanism:** Provides 35° vertical tilt, 360° horizontal rotation; lockable. EZ-Aim Helical Drive System provides fast and accurate hot aiming with Philips screwdriver.
- Gear Harness:** Electronic 240V, 50/60Hz metal halide ballast with lamp socket and wiring harness. ORDER SEPARATELY. See separate specification sheet for details.
- Optional Accessory Holder:** Sold separately catalog # CAH4; die-formed steel, matte black finish, slide-in installation. Accepts up to two 3 3/4" dia. media.
- Installation Ring:** Cast aluminum ring is painted and has two 17ga. stainless steel springs that engage in upright position during installation. One touch snap action secures ring in ceiling cutout. ORDER SEPARATELY. See separate specification sheet for details.
- Trim Retention Springs:** Rust resistant springs secure reflector/housing for quick, toolless installation (quantity of 4).

Certifications and Ratings



Job Information

Type:

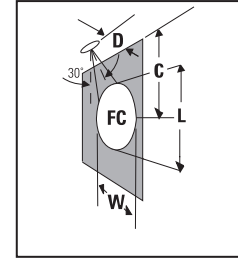
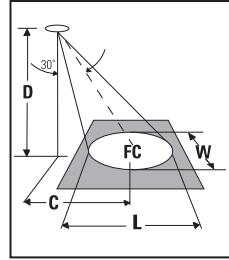
Job Name:

Cat. No.:

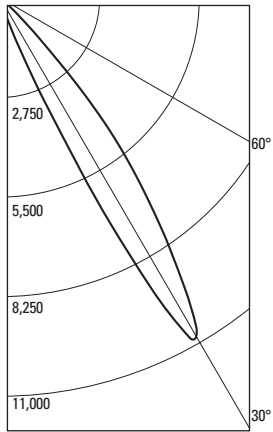
Lamp(s):

Notes:

631 Airport Road, Fall River, MA 02720 • (508) 679-8131 • Fax (508) 674-4710
We reserve the right to change details of design, materials and finish.
www.lightolier.com © 2011 Philips Group • C0711



CANDLEPOWER DISTRIBUTION



ANGLE	WALL
0	22
5	41
10	127
15	216
20	1007
25	5286
30	10820
35	7757
40	4435
45	1178
50	187
55	41
60	10
65	5
70	0
75	0
80	0
85	0
90	0

20W T4.5 CERAMIC MH, SPOT UPPER REFLECTOR

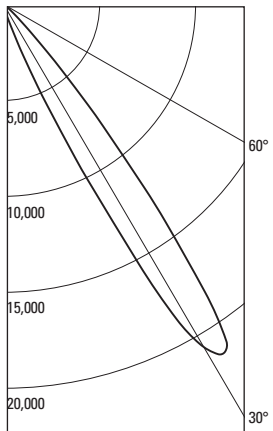
AIMED 30 deg. TOWARD WALL
 LAMP: T4.5 CERAMIC MH, GE
 LUMEN RATING: 1700 LMS.
 CBCP: 10820
 Beam Angle: 13
 AROMAT ELECTRONIC BALLAST 20W
 DATE: APR 2, 2004
 CERTIFIED TEST REPORT NO. 18680
 COMPUTED BY LSI PROGRAM
 TEST-LITE

**30° Aiming Angle
Horizontal Surface**

D	C	FC	L	W
6'	3.5'	195	1.8'	1.6'
8'	4.6'	110	2.4'	2.1'
10'	5.8'	70	3.1'	2.6'
12'	6.9'	49	3.7'	3.2'
15'	8.7'	31	4.6'	3.9'

**30° Aiming Angle
Vertical Surface**

D	C	FC	L	W
2'	3.5'	338	1.9'	0.9'
3'	5.2'	150	2.8'	1.4'
4'	6.9'	85	3.8'	1.8'
6'	10.4'	38	5.7'	2.7'
8'	13.9'	21	7.6'	3.6'



ANGLE	WALL
0	72
5	101
10	236
15	541
20	2073
25	8817
30	20419
35	18264
40	6846
45	1609
50	365
55	84
60	36
65	24
70	19
75	12
80	7
85	0
90	0

39W T4.5 CERAMIC MH, SPOT UPPER REFLECTOR

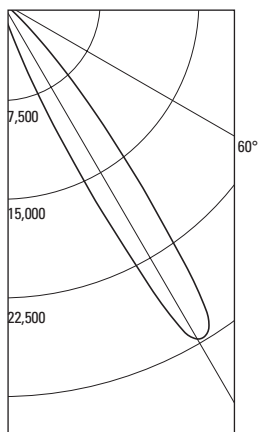
AIMED 30 deg. TOWARD WALL
 LAMP: T4.5 CERAMIC MH, PHILIPS
 LUMEN RATING: 3400 LMS.
 CBCP: 20419
 Beam Angle: 13
 AROMAT ELECTRONIC BALLAST 39W
 DATE: APR 13, 2004
 CERTIFIED TEST REPORT NO. 18681
 COMPUTED BY LSI PROGRAM
 TEST-LITE

**30° Aiming Angle
Horizontal Surface**

D	C	FC	L	W
8'	4.6'	207	2.4'	2.1'
10'	5.8'	133	3.1'	2.6'
12'	6.9'	92	3.7'	3.2'
15'	8.7'	59	4.6'	3.9'
20'	11.5'	33	6.1'	5.3'

**30° Aiming Angle
Vertical Surface**

D	C	FC	L	W
3'	5.2'	284	2.8'	1.4'
4'	6.9'	160	3.8'	1.8'
6'	10.4'	71	5.7'	2.7'
8'	13.9'	40	7.6'	3.6'
12'	20.8'	18	11.4'	5.5'



ANGLE	WALL
0	127
5	216
10	619
15	1507
20	5042
25	15782
30	29566
35	24248
40	11359
45	4236
50	1253
55	231
60	67
65	30
70	15
75	15
80	0
85	0
90	0

70W T4.5 CERAMIC MH, SPOT UPPER REFLECTOR

AIMED 30 deg. TOWARD WALL
 LAMP: T4.5 CERAMIC MH, PHILIPS
 LUMEN RATING: 6200 LMS.
 CBCP: 29566
 Beam Angle: 14
 AROMAT ELECTRONIC BALLAST 70W
 DATE: APR 2, 2004
 CERTIFIED TEST REPORT NO. 18682
 COMPUTED BY LSI PROGRAM
 TEST-LITE

**30° Aiming Angle
Horizontal Surface**

D	C	FC	L	W
8'	4.6'	300	2.6'	2.3'
10'	5.8'	192	3.3'	2.8'
12'	6.9'	133	3.9'	3.4'
15'	8.7'	85	4.9'	4.3'
20'	11.5'	48	6.6'	5.7'

**30° Aiming Angle
Vertical Surface**

D	C	FC	L	W
3'	5.2'	411	3.1'	1.5'
4'	6.9'	231	4.1'	2.0'
6'	10.4'	103	6.2'	2.9'
8'	13.9'	58	8.2'	3.9'
12'	20.8'	26	12.3'	5.9'

Job Information **Type:**

631 Airport Road, Fall River, MA 02720 • (508) 679-8131 • Fax (508) 674-4710
 We reserve the right to change details of design, materials and finish.
 www.lightolier.com © 2011 Philips Group • C0711