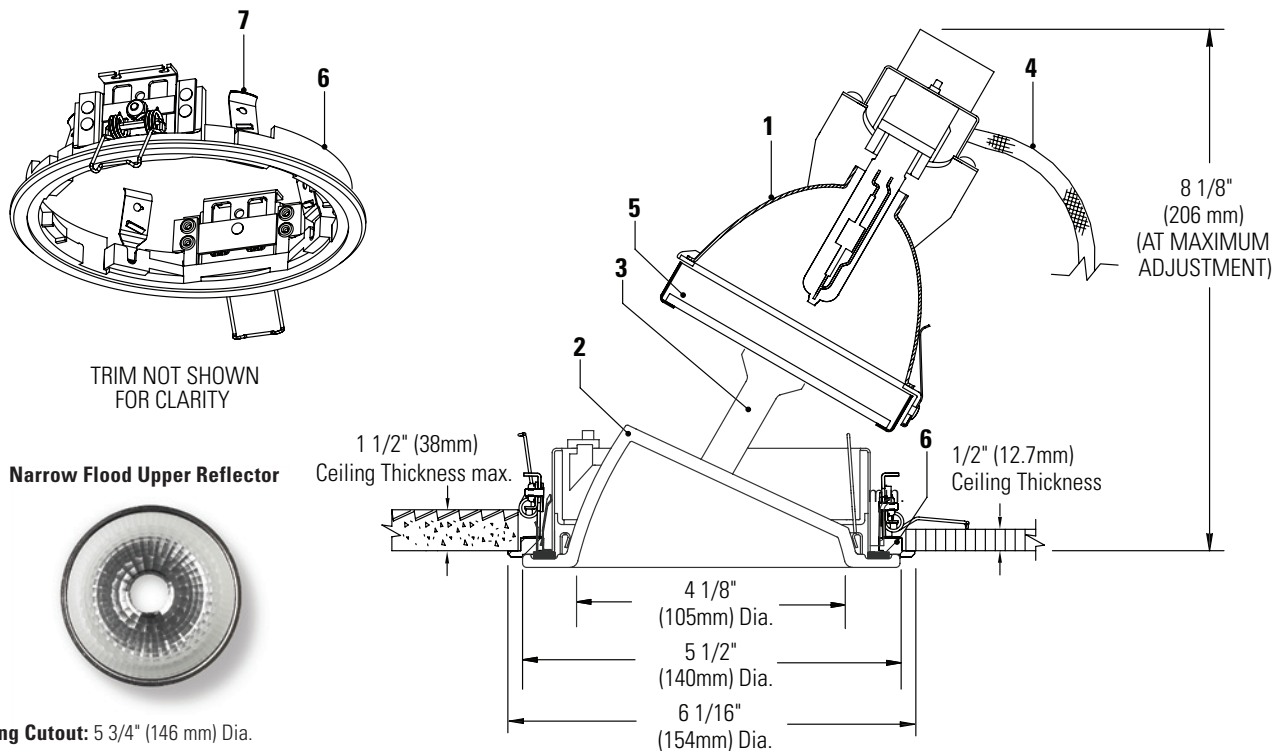


LIGHTOLIER® Adjustable C4T4GAEXP-MHT4RNF

Page 1 of 2

4 1/2" Aperture, T4 G8.5 Metal Halide Glasslite, 25° Nar Flood, For Export



For Complete Fixture Order: Reflector Trim + Upper Reflector + Installation Ring + Gear Harness

Ordering Information

Reflector Trim	Upper Reflector	Installation Ring	Gear Harness	Lamp Data
C4T4GACCDPEXP Etched glass with matching flange	MHT4RNF	C4XRM	BKT4U20 BKT4U39 BKT4U70	CDM-TC G8.5 70W Max

Features

- Upper Reflector:** Specular faceted aluminum; provides 25° beam. Interchangeable with 12° Spot (MHT4RS) and 40° Flood (MHT4RF); see spec sheets C4T4GAEXP-MHT4RS and C4T4GAEXP-MHT4RF. ORDER SEPARATELY.
- Reflector Trim:** One piece borosilicate etched glass.
- Trim Adjustment Mechanism:** Provides 35° vertical tilt, 360° horizontal rotation; lockable. EZ-Aim Helical Drive System provides fast and accurate hot aiming with Philips screwdriver.
- Gear Harness:** Electronic 240V, 50/60Hz metal halide ballast with lamp socket and wiring harness. ORDER SEPARATELY. See separate specification sheet for details.
- Optional Accessory Holder:** Sold separately catalog # CAH4; die-formed steel, matte black finish, slide-in installation. Accepts up to two 3 3/4" dia. media.
- Installation Ring:** Cast aluminum ring is painted and has two 17ga. stainless steel springs that engage in upright position during installation. One touch snap action secures ring in ceiling cutout. ORDER SEPARATELY. See separate specification sheet for details.
- Trim Retention Springs:** Rust resistant springs secure reflector/housing for quick, toolless installation (quantity of 4).

Certifications and Ratings



Job Information

Type:

Job Name:

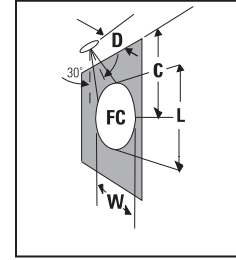
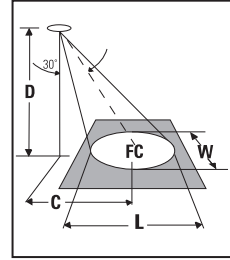
Cat. No.:

Lamp(s):

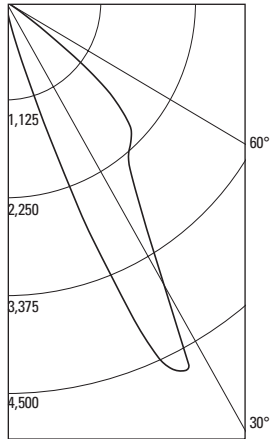
Notes:

631 Airport Road, Fall River, MA 02720 • (508) 679-8131 • Fax (508) 674-4710
 We reserve the right to change details of design, materials and finish.
 www.lightolier.com © 2011 Philips Group • C0711

(FC) is initial footcandles at center of beam. Beam length (L) and beam width (W) are to where the candlepower is reduced to 50% of the center beam candlepower. (C) is the distance to the center of the beam.



CANDLEPOWER DISTRIBUTION



ANGLE	WALL
0	29
5	51
10	159
15	627
20	2536
25	4649
30	3750
35	2710
40	2265
45	2104
50	1549
55	423
60	53
65	8
70	4
75	2
80	2
85	0
90	0

20W T4.5 CERAMIC MH, NARROW FLOOD UPPER REFLECTOR

AIMED 30 deg. TOWARD WALL

LAMP: T4.5 CERAMIC MH, GE
LUMEN RATING: 1700

CBCP: 4649
BEAM ANGLE: 20
AROMAT 20W ELECTRONIC BALLAST

DATE: APR 14, 2004
CERTIFIED TEST REPORT NO. 18683

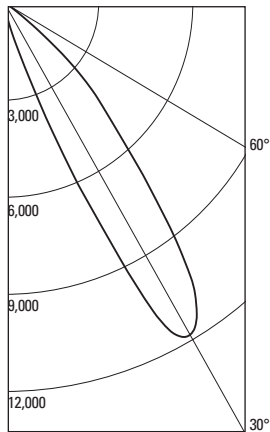
COMPUTED BY LSI PROGRAM **TEST-LITE**

**30° Aiming Angle
Horizontal Surface**

D	C	FC	L	W
6'	3.5'	84	2.9'	2.4'
8'	4.6'	47	3.8'	3.3'
10'	5.8'	30	4.8'	4.1'
12'	6.9'	21	5.7'	4.9'
15'	8.7'	13	7.1'	6.1'

**30° Aiming Angle
Vertical Surface**

D	C	FC	L	W
2'	3.5'	145	3.1'	1.4'
3'	5.2'	65	4.7'	2.1'
4'	6.9'	36	6.2'	2.8'
6'	10.4'	16	9.3'	4.2'
8'	13.9'	9	12.4'	5.6'



ANGLE	WALL
0	68
5	106
10	293
15	1082
20	3335
25	8723
30	11830
35	10356
40	6699
45	4256
50	2126
55	529
60	94
65	24
70	19
75	12
80	7
85	0
90	0

39W T4.5 CERAMIC MH, NARROW FLOOD UPPER REFLECTOR

AIMED 30 deg. TOWARD WALL

LAMP: T4.5 CERAMIC MH, PHILIPS
LUMEN RATING: 3400 LMS.

CBCP: 11830
BEAM ANGLE: 19
AROMAT 39W ELECTRONIC BALLAST

DATE: APR 13, 2004

CERTIFIED TEST REPORT NO. 18684

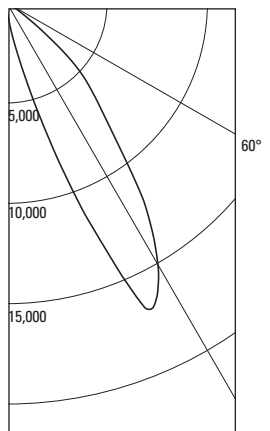
COMPUTED BY LSI PROGRAM
TEST-LITE

**30° Aiming Angle
Horizontal Surface**

D	C	FC	L	W
8'	4.6'	120	3.6'	3.1'
10'	5.8'	77	4.5'	3.9'
12'	6.9'	53	5.4'	4.6'
15'	8.7'	34	6.8'	5.8'
20'	11.5'	19	9.0'	7.7'

**30° Aiming Angle
Vertical Surface**

D	C	FC	L	W
3'	5.2'	164	4.4'	2.0'
4'	6.9'	92	5.8'	2.7'
6'	10.4'	41	8.8'	4.0'
8'	13.9'	23	11.7'	5.4'
12'	20.8'	10	17.5'	8.0'



ANGLE	WALL
0	193
5	553
10	1781
15	4736
20	10855
25	16862
30	15070
35	11695
40	7850
45	5720
50	3136
55	879
60	161
65	34
70	23
75	16
80	5
85	0
90	0

70W T4.5 CERAMIC MH, NARROW FLOOD UPPER REFLECTOR

AIMED 30 deg. TOWARD WALL

LAMP: T4.5 CERAMIC MH, PHILIPS
LUMEN RATING: 6200 LMS

CBCP: 16862
BEAM ANGLE: 21
AROMAT 70W ELECTRONIC BALLAST

DATE: APR 2, 2004

CERTIFIED TEST REPORT NO. 18685

COMPUTED BY LSI PROGRAM
TEST-LITE

**30° Aiming Angle
Horizontal Surface**

D	C	FC	L	W
8'	4.6'	171	4.0'	3.4'
10'	5.8'	110	5.0'	4.3'
12'	6.9'	76	6.0'	5.1'
15'	8.7'	49	7.5'	6.4'
20'	11.5'	27	10.0'	8.6'

**30° Aiming Angle
Vertical Surface**

D	C	FC	L	W
3'	5.2'	234	5.0'	2.2'
4'	6.9'	132	6.6'	3.0'
6'	10.4'	59	9.9'	4.4'
8'	13.9'	33	13.2'	5.9'
12'	20.8'	15	19.8'	8.9'

Job Information Type:

631 Airport Road, Fall River, MA 02720 • (508) 679-8131 • Fax (508) 674-4710
We reserve the right to change details of design, materials and finish.
www.lightolier.com © 2011 Philips Group • C0711