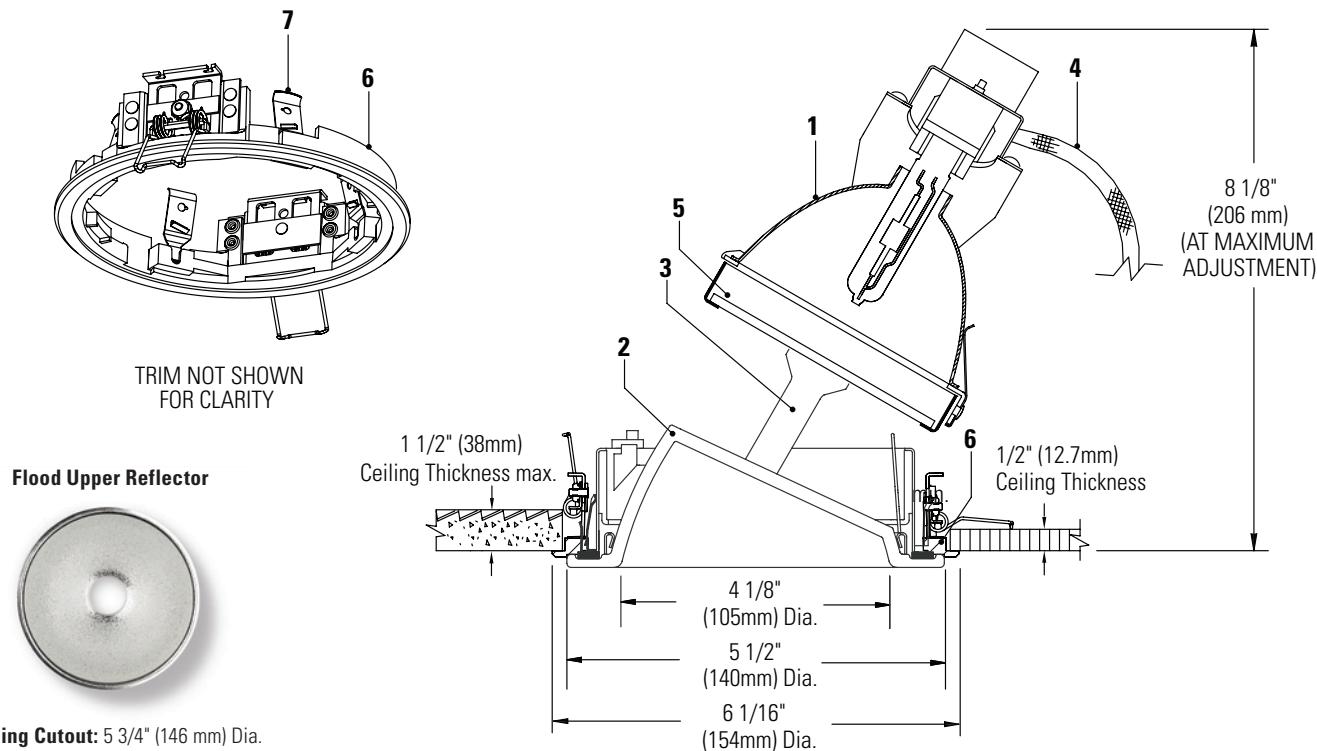


LIGHTOLIER® HID Adjustable C4T4GAEXP-MHT4RF

Page 1 of 2

4 1/2" Aperture, T4 G8.5 Metal Halide Glasslite, 40° Flood, For Export



For Complete Fixture Order: Reflector Trim + Upper Reflector + Installation Ring + Gear Harness

Ordering Information

Reflector Trim	Upper Reflector	Installation Ring	Gear Harness	Lamp Data
C4T4GACCDPEXP Etched glass with matching flange	MHT4RF	C4XRM	BKT4U20 BKT4U39 BKT4U70	CDM-TC G8.5 70W Max

Features

- 1. Upper Reflector:** Specular faceted aluminum; provides 40° beam. Interchangeable with 12° Spot (MHT4RS) and 25° Flood (MHT4RNF); see spec sheets C4T4GAEXP-MHT4RS and C4T4GAEXP-MHT4RNF. ORDER SEPARATELY.
- 2. Reflector Trim:** One piece borosilicate etched glass.
- 3. Trim Adjustment Mechanism:** Provides 35° vertical tilt, 360° horizontal rotation; lockable. EZ-Aim Helical Drive System provides fast and accurate hot aiming with Philips screwdriver.
- 4. Gear Harness:** Electronic 240V, 50/60Hz metal halide ballast with lamp socket and wiring harness. ORDER SEPARATELY. See separate specification sheet for details.
- 5. Optional Accessory Holder:** Sold separately catalog # CAH4; die-formed steel, matte black finish, slide-in installation. Accepts up to two 3 3/4" dia. media.
- 6. Installation Ring:** Cast aluminum ring is painted and has two 17ga. stainless steel springs that engage in upright position during installation. One touch snap action secures ring in ceiling cutout. ORDER SEPARATELY. See separate specification sheet for details.
- 7. Trim Retention Springs:** Rust resistant springs secure reflector/housing for quick, toolless installation (quantity of 4).

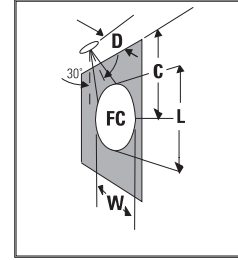
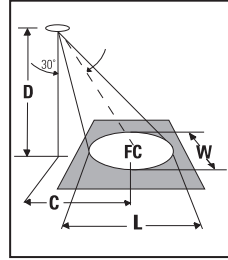
Certifications and Ratings



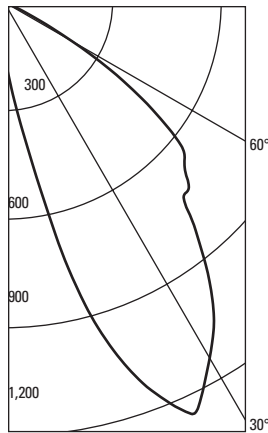
Job Information	Type:
Job Name:	
Cat. No.:	
Lamp(s):	
Notes:	

631 Airport Road, Fall River, MA 02720 • (508) 679-8131 • Fax (508) 674-4710
 We reserve the right to change details of design, materials and finish.
 www.lightolier.com © 2011 Philips Group • C0711

(FC) is initial footcandles at center of beam. Beam length (L) and beam width (W) are to where the candlepower is reduced to 50% of the center beam candlepower. (C) is the distance to the center of the beam.



CANDLEPOWER DISTRIBUTION



ANGLE	WALL
0	143
5	242
10	456
15	865
20	1120
25	1251
30	1136
35	1003
40	823
45	722
50	650
55	465
60	218
65	46
70	12
75	10
80	8
85	5
90	0

20W T4.5 - FLOOD REFLECTOR

AIMED 30 deg. TOWARD WALL
LAMP: 20W CERAMIC MH, GE

LUMEN RATING: 1700 LMS.

CBCP: 1251
Beam Angle: 39

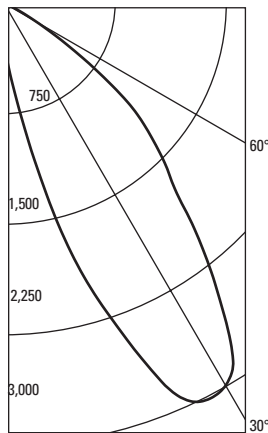
AROMAT 20W ELECTRONIC BALLAST
DATE: APR 15, 2004
CERTIFIED TEST REPORT NO. 18686

**30° Aiming Angle
Horizontal Surface**

D	C	FC	L	W
6'	3.5'	23	5.9'	4.9'
8'	4.6'	13	7.9'	6.5'
10'	5.8'	8	9.9'	8.2'
12'	6.9'	6	11.8'	9.8'
15'	8.7'	4	14.8'	12.3'

**30° Aiming Angle
Vertical Surface**

D	C	FC	L	W
2'	3.5'	39	9.1'	2.8'
3'	5.2'	17	13.6'	4.2'
4'	6.9'	10	18.2'	5.7'
6'	10.4'	4	27.2'	8.5'
8'	13.9'	2	36.3'	11.3'



ANGLE	WALL
0	274
5	488
10	951
15	1753
20	2432
25	2979
30	2993
35	2595
40	1999
45	1534
50	1173
55	649
60	245
65	64
70	26
75	19
80	6
85	0
90	0

39W T4.5 - FLOOD REFLECTOR

AIMED 30 deg. TOWARD WALL
LAMP: 39W CERAMIC MH, PHILIPS

LUMEN RATING: 3400 LMS.

CBCP: 2993
Beam Angle: 32

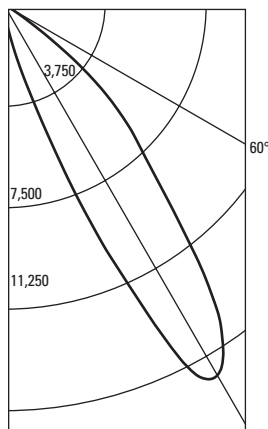
AROMAT 39W ELECTRONIC BALLAST
DATE: APR 13, 2004
CERTIFIED TEST REPORT NO. 18687

**30° Aiming Angle
Horizontal Surface**

D	C	FC	L	W
8'	4.6'	30	6.3'	5.3'
10'	5.8'	19	7.9'	6.6'
12'	6.9'	14	9.4'	7.9'
15'	8.7'	9	11.8'	9.9'
20'	11.5'	5	15.7'	13.2'

**30° Aiming Angle
Vertical Surface**

D	C	FC	L	W
3'	5.2'	42	9.1'	3.4'
4'	6.9'	23	12.2'	4.6'
6'	10.4'	10	18.3'	6.9'
8'	13.9'	6	24.4'	9.2'
12'	20.8'	3	36.5'	13.8'



ANGLE	WALL
0	141
5	288
10	909
15	2640
20	6497
25	12581
30	15817
35	13798
40	9527
45	6823
50	4410
55	1573
60	338
65	45
70	29
75	18
80	11
85	0
90	0

70W T4.5 - FLOOD REFLECTOR

AIMED 30 deg. TOWARD WALL
LAMP: 70W CERAMIC MH, PHILIPS

LUMEN RATING: 6200 LMS.

CBCP: 15817
Beam Angle: 22

AROMAT 70W ELECTRONIC BALLAST
DATE: APR 14, 2004
CERTIFIED TEST REPORT NO. 18688

**30° Aiming Angle
Horizontal Surface**

D	C	FC	L	W
8'	4.6'	161	4.2'	3.6'
10'	5.8'	103	5.2'	4.5'
12'	6.9'	71	6.3'	5.4'
15'	8.7'	46	7.9'	6.7'
20'	11.5'	26	10.5'	9.0'

**30° Aiming Angle
Vertical Surface**

D	C	FC	L	W
3'	5.2'	220	5.3'	2.3'
4'	6.9'	124	7.0'	3.1'
6'	10.4'	55	10.5'	4.7'
8'	13.9'	31	14.0'	6.2'
12'	20.8'	14	21.0'	9.3'

Job Information Type:

631 Airport Road, Fall River, MA 02720 • (508) 679-8131 • Fax (508) 674-4710
We reserve the right to change details of design, materials and finish.
www.lightolier.com © 2011 Philips Group • C0711