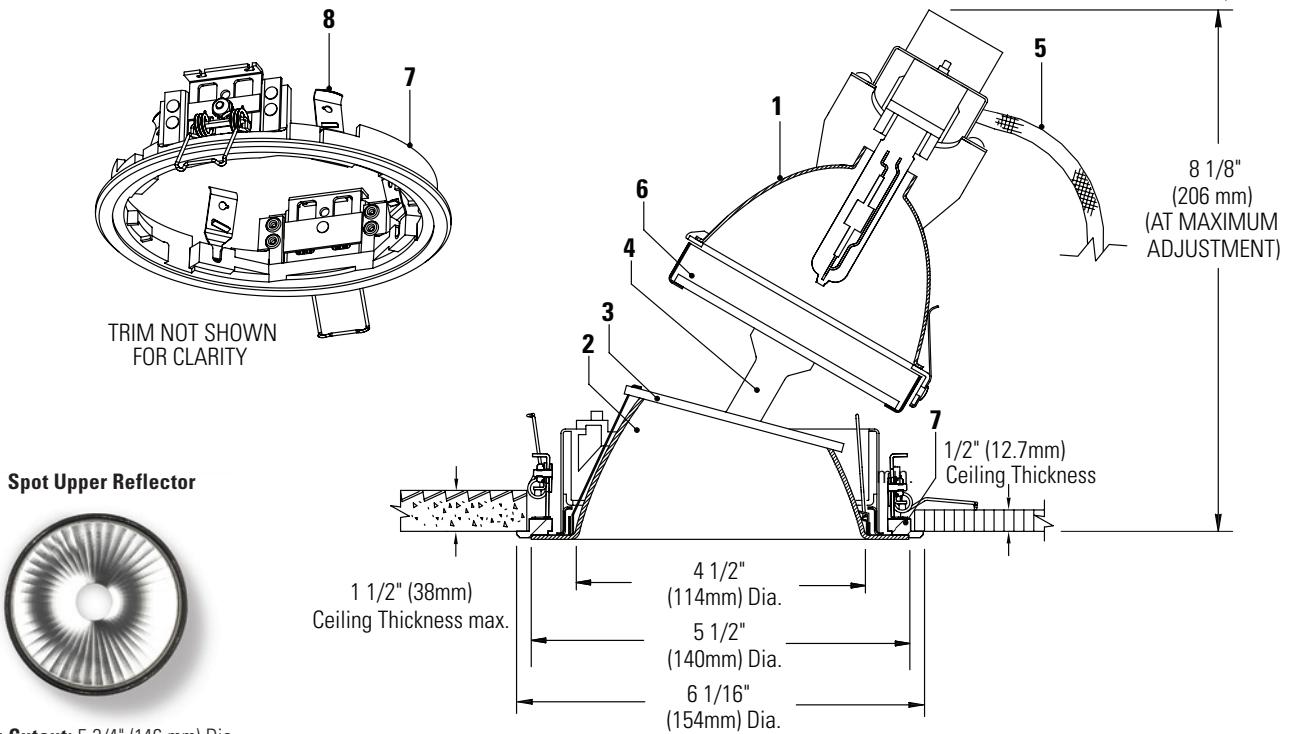


LIGHTOLIER® HID Adjustable C4T4AEXP-MHT4RS

Page 1 of 2

4 1/2" Aperture, T4 G8.5 Metal Halide, 12° Spot, For Export



Ceiling Cutout: 5 3/4" (146 mm) Dia.

For Complete Fixture Order: Reflector Trim + Upper Reflector + Installation Ring + Gear Harness

Ordering Information

Reflector Trim	Upper Reflector	Installation Ring	Gear Harness	Lamp Data
C4T4ACCDPEXP Comfort Clear Diffuse, Polished Flange	MHT4RS	C4XRMM	BKT4U20 BKT4U39 BKT4U70	CDM-TC G8.5 70W Max

Features

- Upper Reflector:** Specular faceted aluminum; provides 12° beam. Interchangeable with 25° Narrow Flood (MHT4RNF) and 40° Flood (MHT4RF); see spec sheets C4T4AEXP-MHT4RNF and C4T4AEXP-MHT4RF. ORDER SEPARATELY.
- Reflector Trim:** Low brightness aperture cone; anodized aluminum, self-flanged in aperture-matching polished flange.
- Lamp Shield:** High-temperature glass as required by code; captive during re-lamping.
- Trim Adjustment Mechanism:** Provides 35° vertical tilt, 360° horizontal rotation; lockable. EZ-Aim Helical Drive System provides fast and accurate hot aiming with Philips screwdriver.
- Gear Harness:** Electronic 240V, 50/60Hz metal halide ballast with lamp socket and wiring harness. ORDER SEPARATELY. See separate specification sheet for details.
- Optional Accessory Holder:** Sold separately catalog # CAH4; die-formed steel, matte black finish, slide-in installation. Accepts up to two 3 3/4" dia. media.
- Installation Ring:** Cast aluminum ring is painted and has two 17ga. stainless steel springs that engage in upright position during installation. One touch snap action secures ring in ceiling cutout. ORDER SEPARATELY. See separate specification sheet for details.
- Trim Retention Springs:** Rust resistant springs secure reflector/housing for quick, toolless installation (quantity of 4).

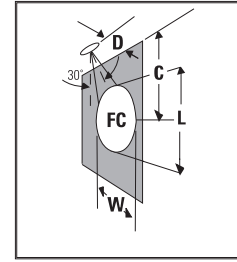
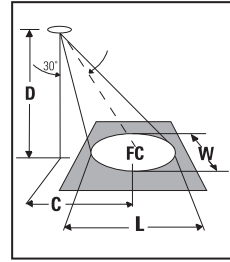
Certifications and Ratings



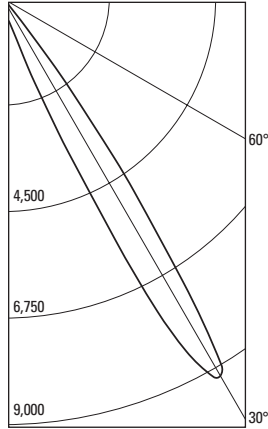
Job Information	Type:
Job Name:	
Cat. No.:	
Lamp(s):	
Notes:	

631 Airport Road, Fall River, MA 02720 • (508) 679-8131 • Fax (508) 674-4710
 We reserve the right to change details of design, materials and finish.
 www.lightolier.com © 2011 Philips Group • D0711

(FC) is initial footcandles at center of beam. Beam length (L) and beam width (W) are to where the candlepower is reduced to 50% of the center beam candlepower. (C) is the distance to the center of the beam.



CANDLEPOWER DISTRIBUTION



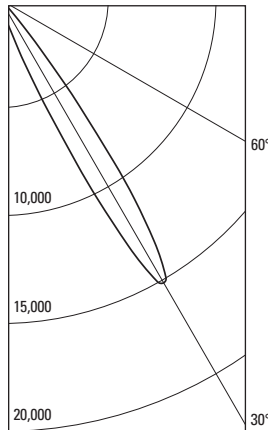
20W LAMP T4.5 – SPOT UPPER REFLECTOR

ANGLE	WALL	AIMED 30° TOWARD WALL
0	224	
5	305	T4 20W G.E. METAL HALIDE LAMP
10	411	LUMEN RATING = 1700 LMS.
15	504	
20	1527	CBCP= 9,201cd
25	5611	BEAM ANGLE = 11°
30	9201	AROMAT 20W ELECTRONIC BALLAST
35	4107	DATE: OCT 30, 2003
40	426	CERTIFIED TEST REPORT NO. 2351FR
45	66	COMPUTED BY LSI PROGRAM
50	20	**TEST-LITE**
55	8	
60	3	
65	0	
70	0	
75	0	
80	0	
85	0	
90	0	

30° Aiming Angle Horizontal Surface				
D	C	FC	L	W
6'	3.5'	166	1.5'	1.3'
8'	4.6'	93	2.1'	1.8'
10'	5.8'	60	2.6'	2.2'
12'	6.9'	42	3.1'	2.7'
15'	8.7'	27	3.9'	3.3'

30° Aiming Angle Vertical Surface				
D	C	FC	L	W
2'	3.5'	288	1.6'	0.8'
3'	5.2'	128	2.4'	1.2'
4'	6.9'	72	3.2'	1.5'
6'	10.4'	32	4.8'	2.3'
8'	13.9'	18	6.3'	3.1'

CANDLEPOWER DISTRIBUTION



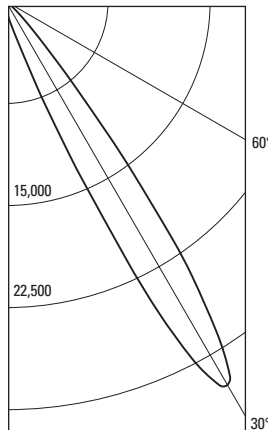
39W T4.5 – SPOT UPPER REFLECTOR

ANGLE	WALL	AIMED 30° TOWARD WALL
0	359	
5	474	T4 39W PHILIPS METAL HALIDE LAMP
10	646	LUMEN RATING = 3300 LMS.
15	886	
20	2519	CBCP= 15,143 cd
25	8378	BEAM ANGLE = 12°
30	15143	AROMAT 39W ELECTRONIC BALLAST
35	9185	DATE: OCT 30, 2003
40	2124	CERTIFIED TEST REPORT NO. 2350FR
45	379	COMPUTED BY LSI PROGRAM
50	59	**TEST-LITE**
55	16	
60	0	
65	0	
70	0	
75	0	
80	0	
85	0	
90	0	

30° Aiming Angle Horizontal Surface				
D	C	FC	L	W
8'	4.6'	154	2.3'	1.9'
10'	5.8'	98	2.8'	2.4'
12'	6.9'	68	3.4'	2.9'
15'	8.7'	44	4.2'	3.6'
20'	11.5'	25	5.6'	4.9'

30° Aiming Angle Vertical Surface				
D	C	FC	L	W
3'	5.2'	210	2.6'	1.3'
4'	6.9'	118	3.5'	1.7'
6'	10.4'	53	5.2'	2.5'
8'	13.9'	30	7.0'	3.4'
12'	20.8'	13	10.4'	5.0'

CANDLEPOWER DISTRIBUTION



70W T4.5 – SPOT UPPER REFLECTOR

ANGLE	WALL	AIMED 30° TOWARD WALL
0	569	
5	804	T4 70W PHILIPS METAL HALIDE LAMP
10	1315	LUMEN RATING = 6400 LMS.
15	2448	
20	6705	CBCP= 32,535 cd
25	20862	BEAM ANGLE = 13°
30	32535	AROMAT 70W ELECTRONIC BALLAST
35	21397	DATE: OCT 25, 2003
40	6307	CERTIFIED TEST REPORT NO. 2345FR
45	1906	COMPUTED BY LSI PROGRAM
50	472	**TEST-LITE**
55	73	
60	23	
65	7	
70	0	
75	0	
80	0	
85	0	
90	0	

30° Aiming Angle Horizontal Surface				
D	C	FC	L	W
8'	4.6'	330	2.4'	2.1'
10'	5.8'	211	3.1'	2.6'
12'	6.9'	147	3.7'	3.2'
15'	8.7'	94	4.6'	3.9'
20'	11.5'	53	6.1'	5.3'

30° Aiming Angle Vertical Surface				
D	C	FC	L	W
3'	5.2'	452	2.8'	1.4'
4'	6.9'	254	3.8'	1.8'
6'	10.4'	113	5.7'	2.7'
8'	13.9'	64	7.6'	3.6'
12'	20.8'	28	11.4'	5.5'

Job Information Type:

631 Airport Road, Fall River, MA 02720 • (508) 679-8131 • Fax (508) 674-4710
 We reserve the right to change details of design, materials and finish.
 www.lightolier.com © 2011 Philips Group • D0711