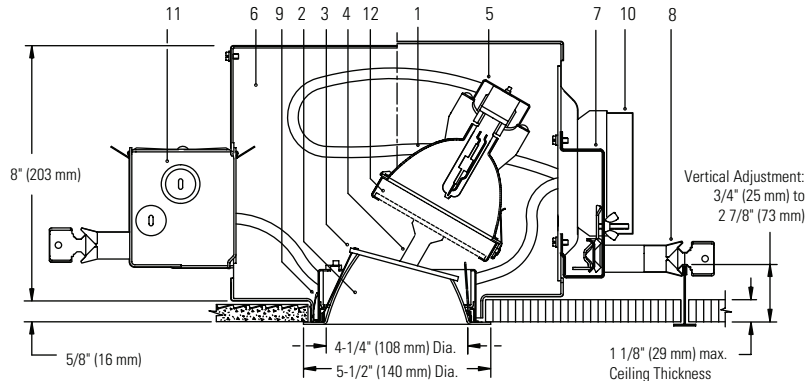
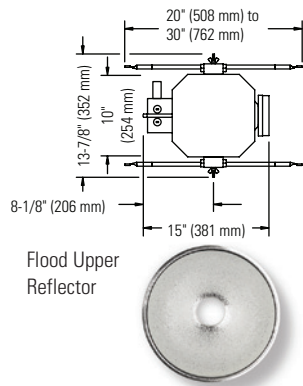


Calculite® HID Adjustable Accent **C4T4A-MHT4RF**

Page 1 of 4

4 1/2" Aperture, T4, Ceramic Metal Halide, 40° Flood



Ceiling Cutout: 5 1/8" (130mm) Dia.

For Complete Fixture Order: Trim Kit + Flood Reflector (MHT4RF) + Frame-In Kit. Each Sold Separately.

Trim Kit + Flood Upper Reflector		Frame-In Kit	Lamp
C4T4A <input type="checkbox"/>	+	MHT4RF (Flood Upper Reflector)	
CLW	Specular Clear, White Painted Flange	C4A20BT5PGJ5E1	Electronic 120V 22W Philips MiniMasterColor
CLP	Specular Clear, Matching Flange	C4A20T4GU65EU	Electronic 120V/277V 20W GE ConstantColor
CCDW	Comfort Clear Diffuse, White Painted Flange	C4A20T4EU	Electronic 120V/277V 20W T4.5
CCDP	Comfort Clear Diffuse, Matching Flange	C4A39T4GU65EU	Electronic 120V/277V 39W Philips MiniMasterColor
CCZW	Champagne Bronze, White Painted Flange	C4A39T4E1	Electronic 120V 39W T4.5
CCZP	Champagne Bronze, Matching Flange	C4A39T4E2	Electronic 277V 39W T4.5
		C4A70T4E1	Electronic 120V 70W T4.5
		C4A70T4E2	Electronic 277V 70W T4.5

Features

- Flood Upper Reflector:** Specular textured aluminum; provides 40° beam. Interchangeable with 12° Spot (MHT4RS) and 25° Narrow Flood (MHT4RNF); see spec sheets C4T4A-MHT4RS and C4T4A-MHT4RNF.
- Trim Kit:** Low brightness aperture cone; anodized aluminum, self-flanged in painted white or aperture-matching polished finish. Consult factory for other finishes.
- Lamp Shield:** High-temperature glass as required by code; captive during re-lamping.
- Trim Kit Adjustment Mechanism:** Provides 35° vertical tilt, 360° horizontal rotation; lockable. EZ-Aim Helical Drive System provides fast and accurate hot aiming with Philips screwdriver.
- Socket Housing:** Galvanized steel, pre-wired with G8.5 pulse rated socket. Snaps onto yoke for secure attachment without tools; unitized construction assures proper alignment of lamp to optics for consistent optical performance.
- Frame Housing:** Steel, 0.029" (22-Ga.), matte black finish. Removable cover for top re-lamping.
- Frame Vertical Adjustment Mechanism:** Accommodates mounting to virtually any ceiling system using pre-installed mounting bars, or 1/2" EMT tubing (by others). Single locking feature secures all adjustments. Alignment holes and markings allow fixture to be pre-set prior to installation. Final adjustment can be made from below from inside fixture.
- Mounting Bars:** Galvanized steel, 0.048" (18-ga.), pre-installed telescoping bars extend to 30" long and lock securely into position. Built-in locking tabs provide positive attachment to common T-bar systems. Self-centering feature simplifies installation in 24" O.C. grid systems. Attaches to steel or wood joists without accessories.
- Retention Springs:** Rust resistant springs secure trim for quick, tool-less installation.
- Ballast / Cover Assembly:** Accessible from below and removable without tools for inspection and ballast replacement.
- Junction Box:** 0.059" (16-ga.) galvanized steel. UL listed for 8 No. 12 AWG, 90° C through branch circuit conductors. Allows inspection from below.

Features (cont.)

- Optional Accessory Holder:** Sold separately catalog # CAH4; die-formed steel, matte black finish, slide-in installation. Accepts up to two 3/4" dia. media.
- Thermal Protector:** (Not Shown) Meets NEC and UL requirements. Do not install insulation above nor within 3" (76mm) of any part of the luminaire.

Electrical

Electronic Ballast: 120V or 277V, 50/60 Hz., electronic, high power factor, T.H.D. <15%, thermally and transient protected, RMI/RFI complies with FCC Part 18 non-consumer limits, shut-down circuit at end of lamp life, sound rating "A", -5°F minimum starting temperature, Type 1 Outdoor rating.

Ballast	ANSI Code	Voltage	Max. Amps	Input Watts
20W MH	M156	120/277	0.21/0.10	23
39W MH	M130	120/277	0.39/0.17	44
70W MH	M139	120/277	0.67/0.29	78

Options and Accessories

Chicago Plenum: Consult Factory

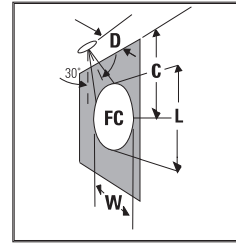
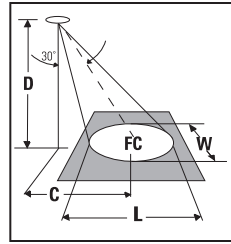
Labels

UL (Suitable for Damp Locations), CSA, I.B.E.W.

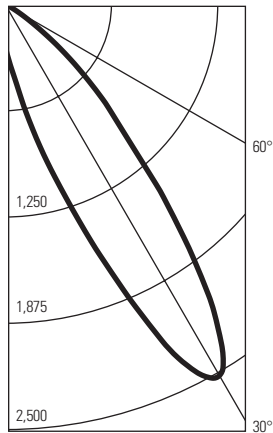
Job Information	Type:
Job Name:	
Cat. No.:	
Lamp(s):	
Notes:	

Calculite® HID Adjustable Accent **C4T4A-MHT4RF**

(FC) is initial footcandles at center of beam. Beam length (L) and beam width (W) are to where the candlepower is reduced to 50% of the center beam candlepower. (C) is the distance to the center of the beam.



CANDLEPOWER DISTRIBUTION



20W T4.5 – FLOOD

ANGLE	WALL	AIMED 30° TOWARD WALL
0	244	T4 20W G.E. METAL HALIDE LAMP
5	361	LUMEN RATING = 1700 LMS.
10	581	AROMAT 20W ELECTRONIC BALLAST
15	962	
20	1487	CBCP = 2,520 cd
25	2181	BEAM ANGLE = 22°
30	2520	
35	2084	DATE: OCT 31, 2003
40	1382	CERTIFIED TEST REPORT NO. 2353FR
45	859	COMPUTED BY LSI PROGRAM
50	498	**TEST-LITE**
55	221	
60	79	
65	18	
70	1	
75	1	
80	1	
85	0	
90	0	

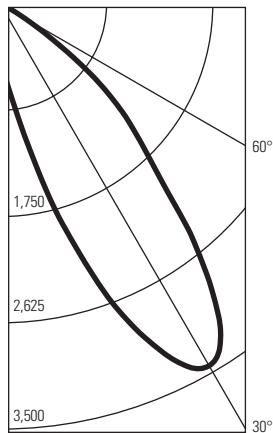
**30° Aiming Angle
Horizontal Surface**

D	C	FC	L	W
6'	3.5'	45	3.1'	2.7'
8'	4.6'	26	4.2'	3.6'
10'	5.8'	16	5.2'	4.5'
12'	6.9'	11	6.3'	5.4'
15'	8.7'	7	7.9'	6.7'

**30° Aiming Angle
Vertical Surface**

D	C	FC	L	W
2'	3.5'	79	3.5'	1.6'
3'	5.2'	35	5.3'	2.3'
4'	6.9'	20	7.0'	3.1'
6'	10.4'	9	10.5'	4.7'
8'	13.9'	5	14.0'	6.2'

CANDLEPOWER DISTRIBUTION



39W T4.5 – FLOOD REFLECTOR

ANGLE	WALL	AIMED 30° TOWARD WALL
0	446	T4 39W PHILIPS METAL HALIDE LAMP
5	660	LUMEN RATING = 3300 LMS.
10	1052	AROMAT 3,439 cd
15	1762	BEAM ANGLE = 30°
20	2543	AROMAT 39W ELECTRONIC BALLAST
25	3163	
30	3439	DATE: OCT 30, 2003
35	3133	CERTIFIED TEST REPORT NO. 2348FR
40	2389	COMPUTED BY LSI PROGRAM
45	1670	**TEST-LITE**
50	1191	
55	614	
60	226	
65	59	
70	3	
75	0	
80	0	
85	0	
90	0	

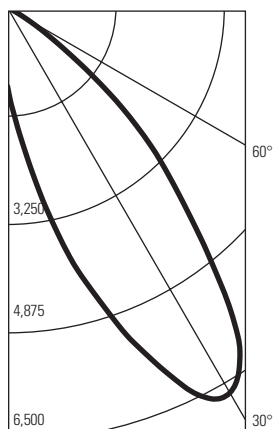
**30° Aiming Angle
Horizontal Surface**

D	C	FC	L	W
6'	3.5'	62	4.4'	3.7'
8'	4.6'	35	5.9'	5.0'
10'	5.8'	22	7.3'	6.2'
12'	6.9'	16	8.8'	7.4'
15'	8.7'	10	11.0'	9.3'

**30° Aiming Angle
Vertical Surface**

D	C	FC	L	W
2'	3.5'	107	5.5'	2.1'
3'	5.2'	48	8.2'	3.2'
4'	6.9'	27	10.9'	4.3'
6'	10.4'	12	16.4'	6.4'
8'	13.9'	7	21.9'	8.6'

CANDLEPOWER DISTRIBUTION



70W T4.5 – FLOOD REFLECTOR

ANGLE	WALL	AIMED 30° TOWARD WALL
0	1179	T4 70W PHILIPS METAL HALIDE LAMP
5	1830	LUMEN RATING = 6400 LMS.
10	2840	AROMAT 6,667 cd
15	4083	BEAM ANGLE = 33°
20	5226	AROMAT 70W ELECTRONIC BALLAST
25	6268	
30	6667	DATE: OCT 26, 2003
35	6027	CERTIFIED TEST REPORT NO. 2347FR
40	4505	COMPUTED BY LSI PROGRAM
45	3236	**TEST-LITE**
50	1985	
55	858	
60	287	
65	55	
70	1	
75	1	
80	1	
85	1	
90	1	

**30° Aiming Angle
Horizontal Surface**

D	C	FC	L	W
8'	4.6'	68	6.5'	5.5'
10'	5.8'	43	8.1'	6.8'
12'	6.9'	30	9.8'	8.2'
15'	8.7'	19	12.2'	10.3'
20'	11.5'	11	16.3'	13.7'

**30° Aiming Angle
Vertical Surface**

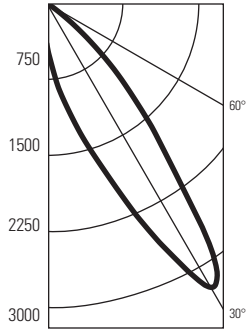
D	C	FC	L	W
3'	5.2'	93	9.6'	3.6'
4'	6.9'	52	12.9'	4.7'
6'	10.4'	23	19.3'	7.1'
8'	13.9'	13	25.7'	9.5'
12'	20.8'	6	38.6'	14.2'

Job Information

Type:

Calculite® HID Adjustable Accent **C4T4A-MHT4RF**

22W PGJ5 Philips MiniMastercolor CMH Lamp, **Flood** Upper Reflector, Lumen Rating = 1650 lms, Aromat Electronic Ballast

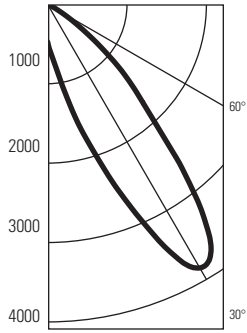


Angle	Wall
0	397
5	635
10	972
15	1366
20	1860
25	2572
30	3235
35	2624
40	1650
45	994
50	466
55	133
60	23
65	0
70	0
75	0
80	0
85	0
90	0

30° Aiming Angle Horizontal Surface					30° Aiming Angle Vertical Surface				
D	C	FC	L	W	D	C	FC	L	W
6'	3.5'	58	3.3'	2.8'	2'	3.5'	101	3.7'	1.6'
8'	4.6'	33	4.4'	3.8'	3'	5.2'	45	5.6'	2.4'
10'	5.8'	21	5.5'	4.7'	4'	6.9'	25	7.4'	3.3'
12'	6.9'	15	6.6'	5.6'	6'	10.4'	11	11.2'	4.9'
15'	8.7'	9	8.3'	7.0'	8'	13.9'	6	14.9'	6.5'

Certified Test Report No. 3818FR, Date: Oct 16, 2008. Computed by LSI Program **Test-Lite**

39W PGJ5 Philips MiniMastercolor CMH Lamp, **Flood** Upper Reflector, Lumen Rating = 3000 lms, Aromat Electronic Ballast



Angle	Wall
0	472
5	664
10	1011
15	1628
20	2369
25	3249
30	3833
35	3547
40	2519
45	1614
50	1009
55	486
60	177
65	36
70	0
75	0
80	0
85	0
90	0

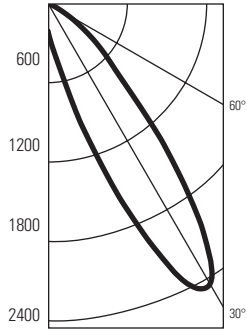
30° Aiming Angle Horizontal Surface					30° Aiming Angle Vertical Surface				
D	C	FC	L	W	D	C	FC	L	W
6'	3.5'	69	3.8'	3.2'	2'	3.5'	120	4.4'	1.8'
8'	4.6'	39	5.0'	4.3'	3'	5.2'	53	6.6'	2.8'
10'	5.8'	25	6.3'	5.3'	4'	6.9'	30	8.8'	3.7'
12'	6.9'	17	7.5'	6.4'	6'	10.4'	13	13.2'	5.5'
15'	8.7'	11	9.4'	8.0'	8'	13.9'	7	17.6'	7.4'

Certified Test Report No. 3941FR, Date: Oct 16, 2008. Computed by LSI Program **Test-Lite**

Job Information **Type:**

Calculite® HID Adjustable Accent **C4T4A-MHT4RF**

20W GU6.5 GE Constantcolor CMH Lamp, **Flood** Upper Reflector, Lumen Rating = 1615 lms, Aromat Electronic Ballast

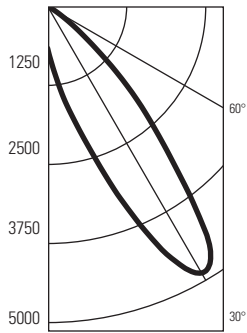


Angle	Wall
0	209
5	313
10	483
15	905
20	1532
25	2222
30	2450
35	1989
40	1297
45	740
50	500
55	297
60	141
65	46
70	5
75	2
80	0
85	1
90	0

30° Aiming Angle Horizontal Surface					30° Aiming Angle Vertical Surface				
D	C	FC	L	W	D	C	FC	L	W
6'	3.5'	44	3.3'	2.8'	2'	3.5'	77	3.7'	1.6'
8'	4.6'	25	4.4'	3.8'	3'	5.2'	34	5.6'	2.4'
10'	5.8'	16	5.5'	4.7'	4'	6.9'	19	7.4'	3.3'
12'	6.9'	11	6.6'	5.6'	6'	10.4'	9	11.2'	4.9'
15'	8.7'	7	8.3'	7.0'	8'	13.9'	5	14.9'	6.5'

Certified Test Report No. 3766FR, Date: Oct 16, 2008. Computed by LSI Program **Test-Lite**

39W GU6.5 GE Constantcolor CMH Lamp, **Flood** Upper Reflector, Lumen Rating = 3400 lms, Aromat Electronic Ballast



Angle	Wall
0	663
5	974
10	1478
15	2108
20	3082
25	4213
30	4867
35	4353
40	2861
45	1778
50	843
55	342
60	92
65	5
70	0
75	2
80	0
85	0
90	0

30° Aiming Angle Horizontal Surface					30° Aiming Angle Vertical Surface				
D	C	FC	L	W	D	C	FC	L	W
6'	3.5'	88	3.6'	3.1'	2'	3.5'	152	4.2'	1.8'
8'	4.6'	49	4.8'	4.1'	3'	5.2'	68	6.2'	2.7'
10'	5.8'	32	6.0'	5.1'	4'	6.9'	38	8.3'	3.5'
12'	6.9'	22	7.2'	6.1'	6'	10.4'	17	12.5'	5.3'
15'	8.7'	14	9.0'	7.7'	8'	13.9'	10	16.6'	7.1'

Certified Test Report No. 3949FR, Date: Oct 16, 2008. Computed by LSI Program **Test-Lite**

Job Information **Type:**